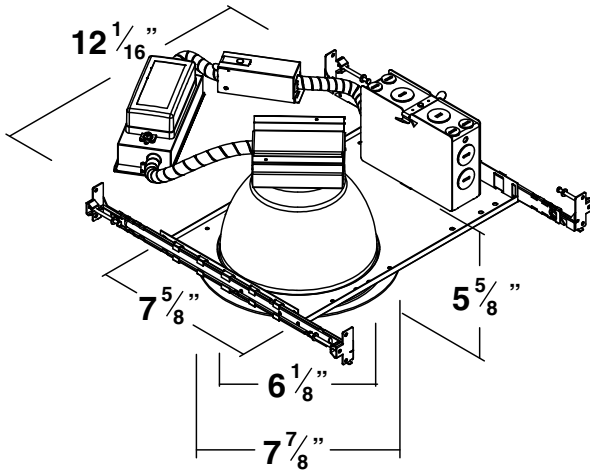


LED 6" COMMERCIAL RECESSED DOWNLIGHT FIXTURE

RCF Series



PRODUCT DESCRIPTION:

MaxLite's NON-IC commercial recessed downlight fixtures are an economical LED lighting solution for new construction applications including offices, healthcare facilities, educational institutions and other buildings that want to reduce maintenance and energy consumption without sacrificing quality of light.

FEATURES:

- Unique optic allows high lumen transmission while concealing the LED light source resulting in efficient, inviting light and minimizing LED glare
- Junction box listed for through branch circuit wiring (Max. 8 no.12AWG 90C conductors, 4 in and 4 out)
- Suitable for damp location use
- Dimmable down to 5% (120v only)
- Five year warranty

ELECTRICAL:

- Universal voltage, driver can be supplied with 120V-277V
- LED array will provide minimum 50,000 hour L70 lifetime

MODEL SELECTION (Full list of order codes on pg. 2)		Typical order example: RCF63430W			
RCF	6			W	
FAMILY	SIZE	WATTAGE (NOMINAL)	CCT	TRIM COLOR	OPTION
RCF= Recessed Commercial Frame	6= 6" Nominal diameter reflector	15= 15W 23= 23W *30= 30W	30= 3000K 40= 4000K	W= White	(OMIT)= None EM= Battery Backup

ACCESSORIES			
ORDER CODE	MODEL NUMBER	DESCRIPTION	ACCESSORIES IMAGE
74087	RR6-BNRING	6" Brushed Nickel Trim Ring	

NOTES:

- * 30W model is not ENERGY STAR qualified

SPECIFICATIONS:

ITEM	SPECIFICATION	RCF61530W	RCF61540W	RCF62330W	RCF62340W	RCF63030W	RCF63040W
		15 WATTS - DETAILS		23 WATTS - DETAILS		30 WATTS - DETAILS	
GENERAL PERFORMANCE	Color Temperature	3000K	4000K	3000K	4000K	3000K	4000K
	Lumens Delivered (lm)	825	910	1635	1695	2525	2525
	Efficacy (lm/w)	59	65	71	74	75	84
	Lumen Maintenance (L70)	50,000 hours					
ELECTRICAL	Power Consumption	14 Watts		23 Watts		30 Watts	
	Power Factor	>0.9					
	Input Voltage	120V-277V					
PHYSICAL	Mounting	Adjustable (24" max) bar hangers with nails for installation to joists or standard grid ceilings					
	Operating Temperature	-4° F to 113° F					
APPLICATION	Environment	Dry, Damp					
	Insulation	Non-IC, insulation must be kept 3" from all sides of the housing					
	Warranty	5 Year					

Lighting layouts and spacing criteria available upon request

ORDERING:*

ORDER CODE	MODEL	DESCRIPTION	OUTPUT (LUMENS)	CCT
73681	RCF61530W	COMMERCIAL RECESSED DOWNLIGHT FIXTURE 3000K	825	3000K
74296	RCF61530WEM	COMMERCIAL RECESSED DOWNLIGHT FIXTURE 3000K W/ BATTERY BACKUP	825	3000K
73682	RCF61540W	COMMERCIAL RECESSED DOWNLIGHT FIXTURE 4000K	910	4000K
74297	RCF61540WEM	COMMERCIAL RECESSED DOWNLIGHT FIXTURE 4000K W/ BATTERY BACKUP	910	4000K
74365	RCF62330W	COMMERCIAL RECESSED DOWNLIGHT FIXTURE 3000K	1725	3000K
74350	RCF62330WEM	COMMERCIAL RECESSED DOWNLIGHT FIXTURE 3000K W/ BATTERY BACKUP	1725	3000K
74364	RCF62340W	COMMERCIAL RECESSED DOWNLIGHT FIXTURE 4000K	1790	4000K
74351	RCF62340WEM	COMMERCIAL RECESSED DOWNLIGHT FIXTURE 4000K W/ BATTERY BACKUP	1790	4000K
74388	RCF63030W	COMMERCIAL RECESSED DOWNLIGHT FIXTURE 3000K	2250	3000K
74358	RCF63030WEM	COMMERCIAL RECESSED DOWNLIGHT FIXTURE 3000K W/ BATTERY BACKUP	2250	3000K
74389	RCF63040W	COMMERCIAL RECESSED DOWNLIGHT FIXTURE 4000K	2525	4000K
74359	RCF63040WEM	COMMERCIAL RECESSED DOWNLIGHT FIXTURE 4000K W/ BATTERY BACKUP	2525	4000K

COMPATIBLE DIMMERS:

MAKE	DIMMER MODEL
Lutron	CTCL-153PD*
Lutron	DVCL-153PL*
Lutron	CTELV-303P
Lutron	DVELV-303P
Lutron	LGCL-153PL*
Leviton	IPI10 Leviton

* Dimming control should be adjusted to 5% minimum light output level in order to avoid flickering. Please consult dimming control instruction manual for specific procedure.