



MaxLite® LED T8 LINEAR RETROFIT LAMPS

General Safety Information

READ AND FOLLOW ALL SAFETY INSTRUCTIONS

DANGER – RISK OF SHOCK – DISCONNECT POWER BEFORE INSTALLATION

WARNING – Risk of fire or electric shock. LED Retrofit Kit installation requires knowledge of luminaires electrical systems. If not qualified, do not attempt installation. Product must be installed in accordance with the National Electrical Code or your local electrical code. If you are not familiar with these codes and requirements, contact a qualified electrician.

WARNING – Risk of fire or electric shock. Install this kit only in the luminaires that have the construction features and dimensions shown in the photographs and/or drawings.

Do not make or alter any open holes in an enclosure of wiring or electrical components during kit installation.

WARNING – To prevent wiring damage or abrasion, do not expose wiring to edges of sheet metal or any other sharp objects.

WARNING – Risk of fire or electric shock. Luminaire wiring and electrical parts may be damaged when installing of retrofit kit hardware. Check for enclosed wiring and components.

WARNING – Risk of fire or electric shock. Check the existing wiring for damage before installing upgrade kit. Do not install if existing wires are damaged.

WARNING – To avoid potential fire or shock hazard, do not use this retrofit kit in luminaires employing shunted bi-pin lamp holders. Note: Shunted lamp holders are found only in fluorescent luminaires with Instant-Start ballasts. Instant-start ballasts can be identified by the words "Instant Start" or "I.S." marked on the ballast. This designation may be in the form of a statement pertaining to the ballast itself, or may be combined with the marking for the lamps with which the ballast is intended to be used, for example F40T12/IS. For more information, contact the LED luminaire retrofit kit manufacturer.

Installers should not disconnect existing wires from lamp holder terminals to make new connections at lamp holder terminals. Instead installers should cut existing lamp holder leads away from the lamp holder and make new electrical connections to lamp holder lead wire by employing applicable connectors.

"This luminaire has been modified and can no longer operate the originally intended lamp," shall be marked on the retrofit luminaire where readily visible by the user during normal maintenance including lamping.

NOT FOR USE WITH DIMMERS. (Does not apply to dimmable models "-D". Please refer to product specifications sheet.)

SUITABLE FOR DAMP LOCATIONS. CAN BE USED IN ENCLOSED FIXTURES.

THIS DEVICE IS NOT INTENDED FOR USE WITH EMERGENCY EXITS.



MaxLite® LED T8 LINEAR RETROFIT LAMPS

Installation Instructions

1. Make sure the circuit breaker that supplies power to the fixture is turned off.
2. Remove lens or diffuser cover (if applicable) and existing fluorescent lamps.
3. Open/Remove ballast wiring compartment cover.
4. Identify the line and neutral wires running from the breaker box to the ballast and confirm the power is off using a voltmeter.
5. Cut all wires connected to ballast, and remove ballast (and starter if present). Dispose of removed ballast and fluorescent lamps in accordance with government regulations in your area.
6. Ensure that the fixture contains non-shunted G13 bi-pin lamp holders (**Figure 1**). If socket lamp holders are internally shunted, then replace with new non-shunted socket lamp holders. If socket lamp holders are shunted with a jumper wire, remove wire to convert into non-shunted sockets.
7. MaxLite LED T8 lamps are designed for single sided connections only (**Figure 2**). To install, please wire non-shunted sockets by connecting one wire from the lampholder to branch circuit L (LIVE) and the other wire at the opposite end to the branch circuit N (NEUTRAL). Do not connect opposite side to power. Use appropriate wires for connection.
8. Make sure all sockets are replaced and wired accordingly to the appropriate wiring diagram (**Figure 3, 4, 5, 6**).
9. Reinstall the ballast cover to hide all wires.
10. Install your new MaxLite LED T8 replacement lamps.
11. Apply Relamping Label on a visible location inside the fixture.

THIS LUMINAIRE HAS BEEN MODIFIED AND CAN NO LONGER OPERATE THE ORIGINALLY INTENDED LAMP. CALL 1-800-555-5629 FOR RELAMPING INFO. MANUFACTURER: MAXLITE

12. Reinstall lens or diffusion cover on the light fixture.
13. Turn power on at the breaker box.
14. Turn on the lights.

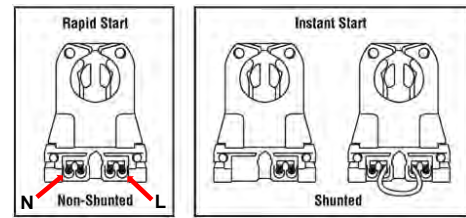


Figure 1.
Non-shunted & Shunted Lamp Holder



Figure 2. Single sided connection

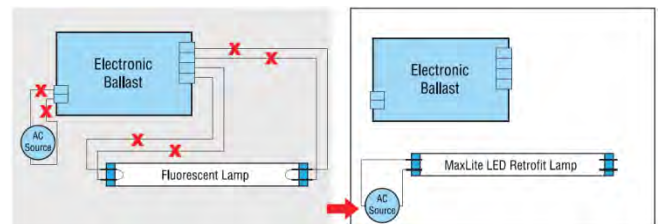


Figure 3. Retrofit with One Lamp

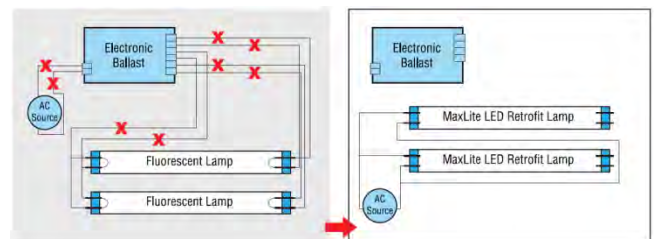


Figure 4. Retrofit with Two Lamps

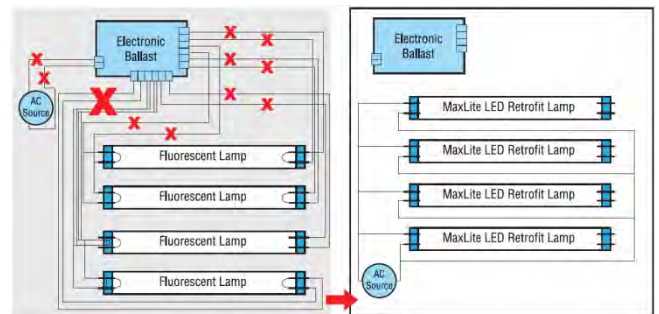


Figure 5. Retrofit with Three/Four Lamps

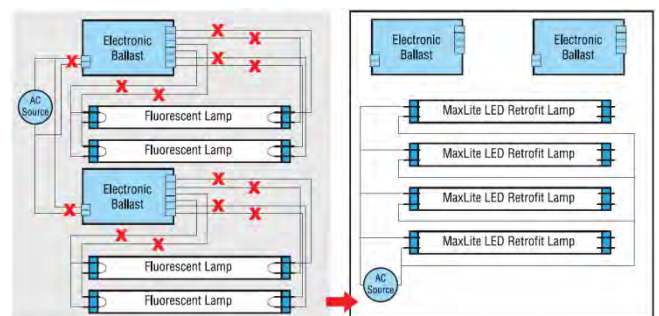


Figure 6. Retrofit with Three/Four Lamps and Two Ballasts