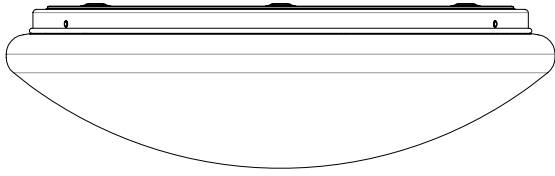


83750/83752

LED MUSHROOM CEILING LIGHT

INSTALL INSTRUCTIONS



PLEASE FIND A QUALIFIED ELECTRICIAN FOR INSTALLATION.
Please read the instruction before you install and use the luminaire.

LED 18W 14" WHITE MUSHROOM CEILING LIGHT/41K/90-277V
LED 22W 16" WHITE MUSHROOM CEILING LIGHT/41K/90-277V

SPECIFICATIONS

| ITEM# | WATTS | COLOR | LUMENS | CRI | VOLT | DIMENSIONS |
|-------|-------|-------|--------|-----|---------|--------------|
| 83750 | 18 | 4000K | 1600 | 80 | 90-277V | 13.8" x 3.9" |
| 83752 | 22 | 4000K | 1850 | 80 | 90-277V | 15.7" x 3.9" |



WARNING

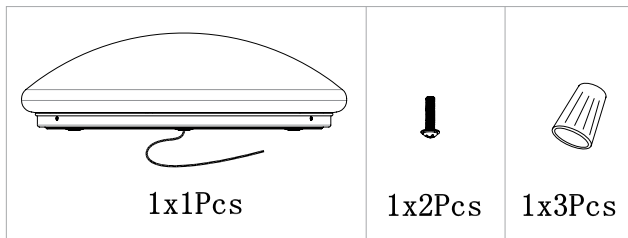
Ensure power is off before starting installation, wiring or attempting any maintenance should be performed by a person familiar with the construction and operation of the product and hazards involved to ensure personal safety.

All work should be performed by a qualified electrician.

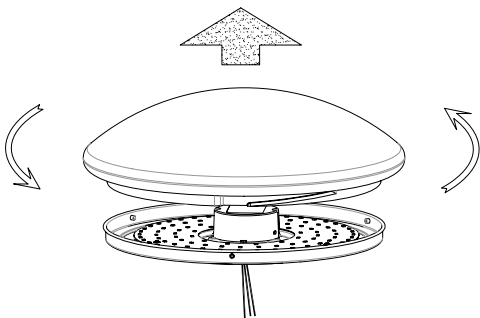
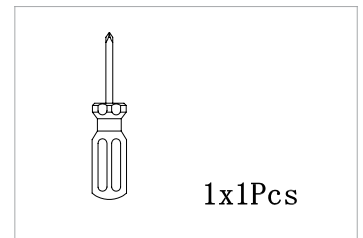
The mounting wall should be of sufficient strength; its endurance force must be greater than the fixture's weight.

INSTALLATION

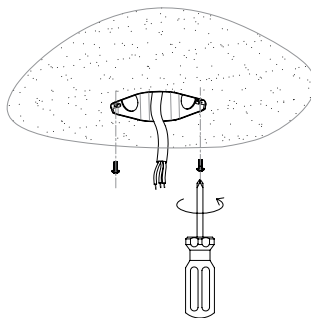
Parts Included:



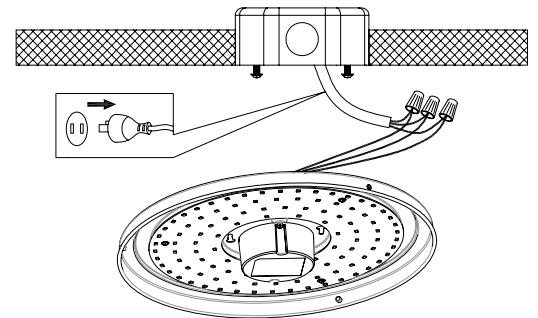
Tools Needed:



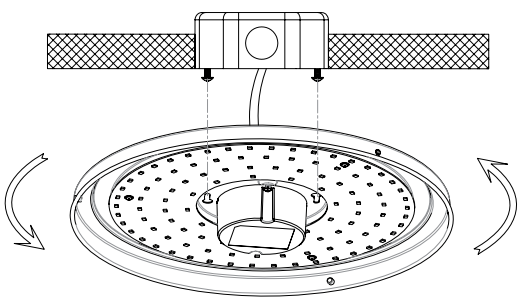
1: Unpack the box and twist off the lamp cover



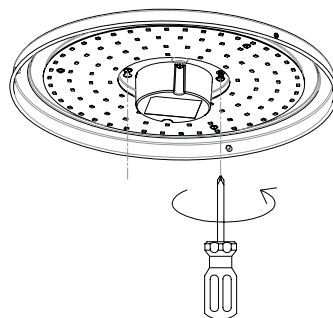
2: Mounting screws



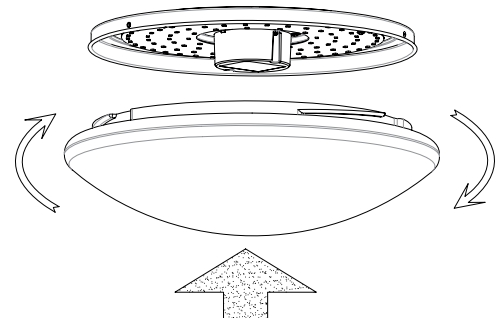
3: Connect the wire according to L/N/E instruction.



4: Insert wire into junction box, then rotate panel until the screws line up with the screw holes



5: Tighten the screws and make sure the lamp is well mounted.



6: Put lamp cover back on.