

BULLET FLOOD LIGHT

12W / 30W

INSTALL INSTRUCTIONS



83719
6.61"(D) x 4"(DIA)



83718
7.76"(D) x 5.18"(DIA)



SPECIFICATIONS

WATT	ITEM#	DESCRIPTION	COLOR	LUMENS	Lm/W	CRI	BEAM	VOLTS	LIFE	LED QTY	POWER FACTOR	INPUT CURRENT
12W	83719	12W BULLET FLOOD/30K- 100-277V - SL®	3000K	800	65	70	140°	100-277	50,000	1	0.95	0.15A
30W	83718	30W BULLET FLOOD/30K- 100-277V - SL®	3000K	2300	75	70	140°	100-277	50,000	1	0.95	0.38A

SAFETY INSTRUCTIONS

Read instructions carefully before attempting to install fixture. Retain instruction for future reference.

WARNING: To avoid the risk of fire, explosion, or electric shock, this product should be installed, inspected, and maintained by a qualified electrician only, in accordance with all applicable electrical codes.

WARNING: To avoid electric shock: Be certain electrical power is OFF before and during installation and maintenance. Luminaire must be connected to a wiring system with an equipment-grounding conductor.

WARNING: To avoid explosion: Make sure the supply voltage is the same as the rated luminaire voltage. Do not install where the marked operating temperatures exceed the ignition temperature of the hazardous atmosphere. Do not operate in ambient temperatures above those indicated on the luminaire nameplate. Keep lens tightly closed when in operation.

For supply connections use wire rated for at least 80°C

INSTALLATION

1. This can install on Junctions Box (see FIG.1) or fix into the ground as FIG.2, then fixed by a 1/2 NPS, refer to the FIG.3 connection diagram.

After Installation

1. Check whether the lighting fixture is firmly fixed.
2. Check whether wires are connected correctly.
3. Turn on the power, and check if the lighting fixture works well.

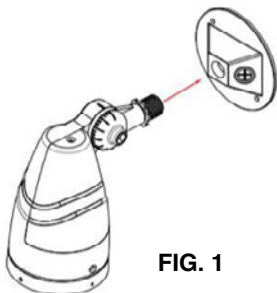
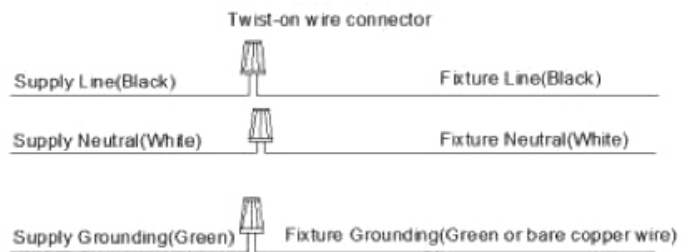


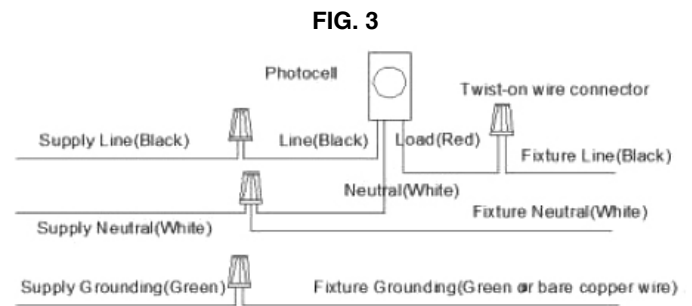
FIG. 1



FIG. 2



Wiring layout without Photocell



Wiring layout with Photocell