

Value  
Twin Pack **2**



Compatible with  
battery back up




### Key Features & Benefits

- ▶ Light weight for easy installation
- ▶ Available in 2'x2' and 2'x4' configurations
- ▶ Uniform and consistent color
- ▶ Excellent thermal design
- ▶ Long life LED chips
- ▶ 0-10V dimming/ Dimming range of 5%-100%
- ▶ Powerfactor >0.9
- ▶ 120-277V
- ▶ 50,000 hrs rated average life

### Applications

- ▶ Conference/ Meeting Rooms
- ▶ Factories/ Offices
- ▶ Schools/ Universities
- ▶ Hospitals
- ▶ Hotels

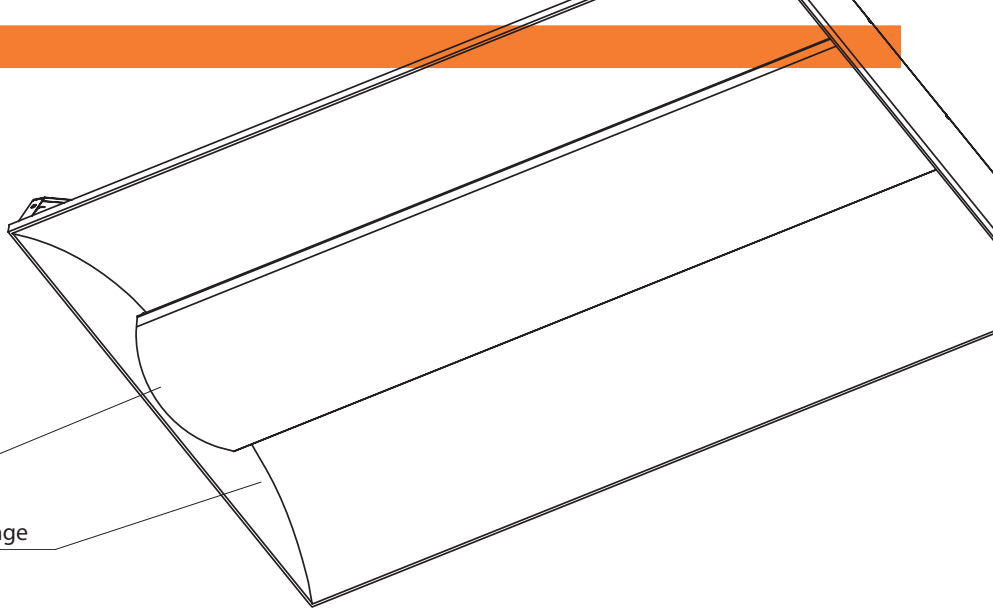
naturalLED		Fluorescent		SAVINGS
WATTAGE	Energy Usage	WATTAGE	Energy Usage	
38W	2'x2'	60-70W		<p>Up to 84% Savings!</p>
76W	2'x4'	120-130W		
50W	2'x4'	90-100W		



# Available in 2'x2' and 2'x4'

Lightweight

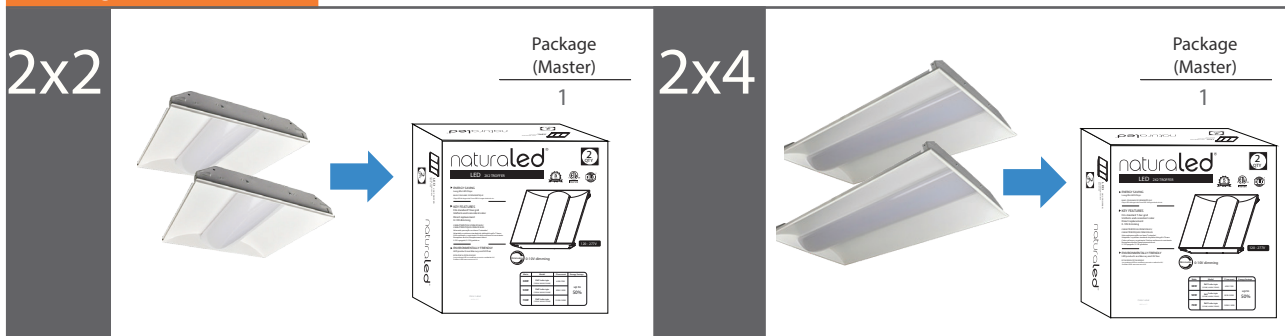
5-100% Dimming Range



## Dimensions

Diagram		LED	Width (in/mm)	Height (in/mm)	Depth (in/mm)	Weight (lbs)
Depth	Width	2'x2'	23.75" / 603	23.75" / 603	4.5" / 114	7.95
	Height	2'x4'	48" / 1212	23.75" / 603	4.5" / 114	9.95

## Package



## Product Data

Item Code	Description	Wattage	CCT	Lumen Output	Size	CRI	Equivalent Wattage	Dimmable	TITLE 24 COMPLIANT	DLC LISTED
7150	LED-FXTF38/2X2/835	<b>38W</b>	3500K	3,545	2'X 2'	85	60-70W	0-10V	●	●
7151	LED-FXTF38/2X2/840	<b>38W</b>	4000K	3,545	2'X 2'	80	60-70W	0-10V	●	●
7152	LED-FXTF38/2X2/850	<b>38W</b>	5000K	3,545	2'X 2'	80	60-70W	0-10V	●	●
7183	LED-FXTF50/2X4/835	<b>50W</b>	3500K	4,953	2'X 4'	84	90-100W	0-10V	●	●
7184	LED-FXTF50/2X4/840	<b>50W</b>	4000K	4,953	2'X 4'	80	90-100W	0-10V	●	●
7185	LED-FXTF50/2X4/850	<b>50W</b>	5000K	4,953	2'X 4'	80	90-100W	0-10V	●	●
7153	LED-FXTF76/2X4/835	<b>76W</b>	3500K	6,903	2'X 4'	85	120-130W	0-10V	●	●
7154	LED-FXTF76/2X4/840	<b>76W</b>	4000K	6,903	2'X 4'	80	120-130W	0-10V	●	●
7155	LED-FXTF76/2X4/850	<b>76W</b>	5000K	6,903	2'X 4'	80	120-130W	0-10V	●	●