

# 55165

## LED 48" VAPOR TIGHT /40W

### TECHNICAL DATA SHEET

#### FEATURES



- Provides smooth uniform light.
- Low-profile which meets limitless range of applications.
- Use 30% less energy than a linear fluorescent fixtures

#### HOUSING

- 100% UV stabilized polycarbonate.
- Silicon perimeter gasket.
- Integrated stainless steel mounting brackets.
- Flat heavy gauge aluminum to attach all electrical component secured to housing by stainless steel wire.
- Opal polycarbonate diffusers eliminates glare and produces even light distribution.

#### MOUNTING

- Mounting Brackets
- Surface Mounting

#### DIMMING

- 0-10V dimming function

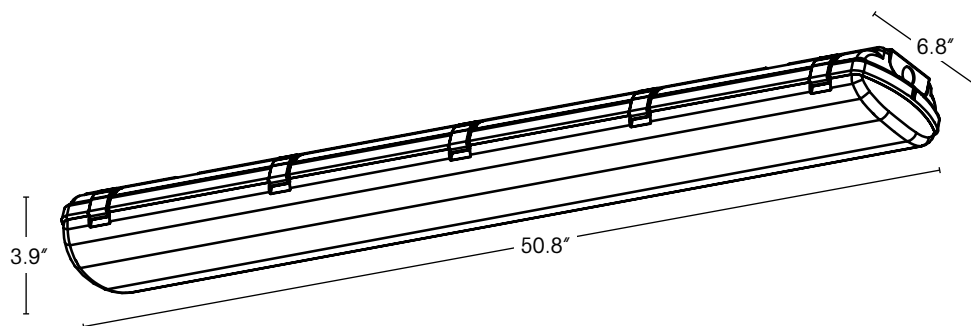
#### APPLICATION

Parking garages, cold storage, food processing facilities, dusty and wet environments.

SPECIFICATIONS	
<b>Power Consumption</b>	<b>40W</b>
Input Voltage	120-277V
Power Factor	0.95
Lumens	3636
Luminous Efficiency	91 Lm/W
Color Temperature	5000K
CRI	85
Lens	Diffuser
Finish	White
Dimensions (Inches)	50.8"(L) x 6.8"(W) x 3.9"(H)
LIFESPAN & ENVIRONMENT	
Average Life	50,000
Operating Temperature	-30°C ~ 40°C



#### DIMENSIONS



#### ORDERING

ITEM#	DESCRIPTION	WATTS	COLOR	LUMENS	CRI	VOLTS	HOURS	CASE
55165	LED VAPOR TIGHT 48" 40W/50K/FROSTED LENS/120-277V/DIMMABLE- SL®	40	5000K	3636	85	120-277	50,000	6