

SNAP SYSTEM ACCESSORIES

SMALL (2")



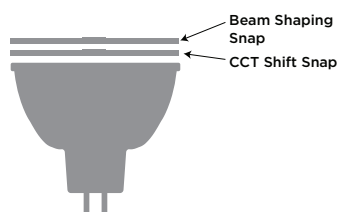
DESCRIPTION

The award winning Soraa SNAP SYSTEM™ is the first LED lamp/accessory solution that is optimized to work as an integrated system. Based on high brightness single source GaN on GaN™ LED technology, it completely redefines accessory application. The effects that can be achieved are similar to what can be done with halogen sources, but are enabled by a relatively low operating temperature and ground-breaking optical design, materials, and methods of attachment.

The SNAP SYSTEM was designed around the idea of ease and simplicity while delivering maximum versatility for the user. Because of its thin and simple magnetic attachment the use of bulky and costly fixture and adaptors are a thing of the past. Now it is possible to have both an affordable yet sophisticated system that provides ultimate design possibilities.

STACKING ACCESSORIES

SNAP SYSTEM accessories can be stacked in combination. For example, a beam spreader can be used in combination with CCT shifter. When combining the beam shaping Snap accessory with CCT shifting Snap Accessory, for best results always place CCT shifting Snap on the lamp first, as shown in diagram below.



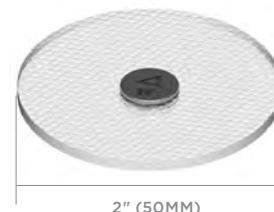
ATTACHMENT

The SNAP SYSTEM's self-centering magnetic interconnect system makes using accessories completely user friendly. Simply attached the SNAP SYSTEM accessory directly to any Narrow Spot Soraa lamp, the magnetic force from both the accessory and lamp will securely attach to one another and center itself.

COMPATIBILITY

The SNAP SYSTEM accessories Small (2") are compatible with the lamps and Optical Light Engines outlined below. The SNAP SYSTEM are only compatible with SORAA Narrow Spot lamps and Optical Light Engines. See each accessory data for exact diameter.

Small (2")
MR16
GU10
PAR20
OLE/C 16



PHOTOMETRICS

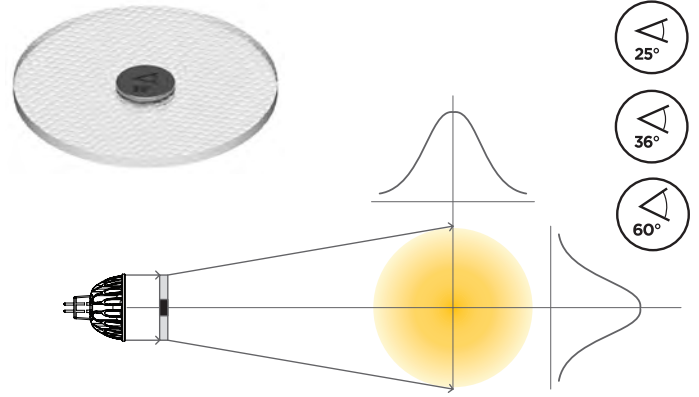
IES files and photometric data of accessories is available for download at www.soraa.com

BEAM SPREADER SNAP

Use in any application where reducing the number of beam angle SKUs is required. Reduces inventory costs. Shortens specification, design, sales cycles. Provides maximum flexibility up to the time of installation.

Beam	Part Number	Product Code	CBCP of 10° Lamp	Field Angle
25°	AC-GC-2525-00	00325	29%	40°
36°	AC-GC-3636-00	00327	14%	55°
60°	AC-GC-6060-00	00329	5%	103°

Lumen Transmissivity: 90%
 Diameter: 50.0 mm Thickness: 2 mm
 Magnetic Attach Force: 0.45 lb-F

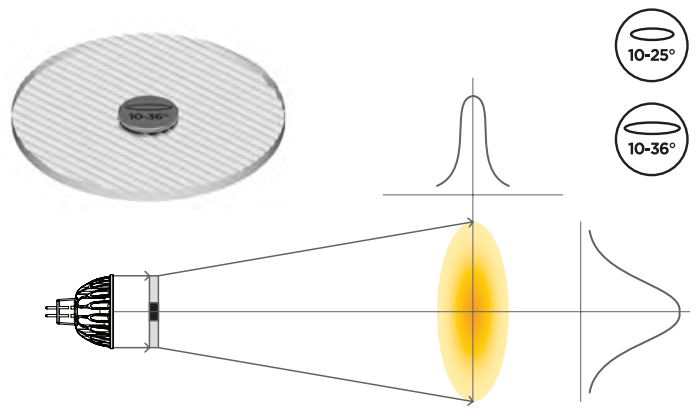


LINEAR SNAP

Use in wall washes and illuminating asymmetric objects. Reduces required number of light fixtures and spill illumination of target objects.

Beam	Part Number	Product Code	CBCP of 10° Lamp	Field Angle Horiz.	Field Angle Vert.
10° - 25°	AC-GE-1025-00	00331	52%	27°	35°
10° - 36°	AC-GE-1036-00	00333	38%	27°	43°

Lumen Transmissivity: 90%
 Diameter: 50.0 mm Thickness: 2 mm
 Magnetic Attach Force: 0.45 lb-F

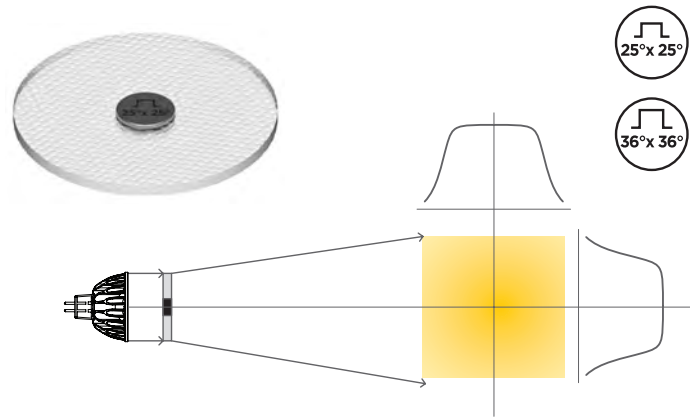


FLAT TOP SNAP

Provides even illumination center to edge. Eliminates video camera saturation, for use in applications such as critical video surveillance.

Beam Angle	Part Number	Product Code	CBCP of 10° Lamp	Field Angle Horiz.	Field Angle Vert.
25° x 25°	AC-FR-2525-00	00335	19%	44°	44°
36° x 36°	AC-FR-3636-00	00337	14%	46°	46°

Lumen Transmissivity: 90%
 Diameter: 50.0 mm Thickness: 2 mm

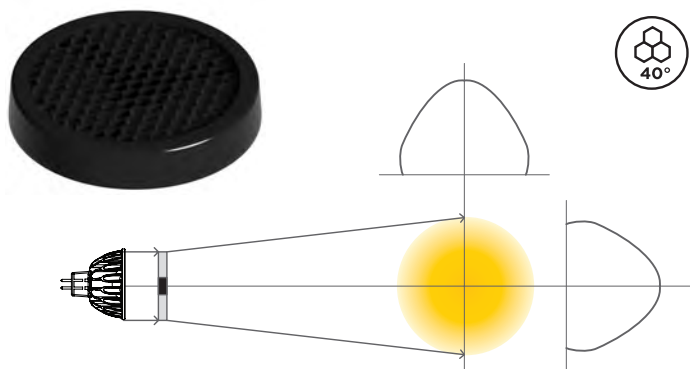


LOUVER SNAP

Eliminates high angle glare, making light beams disappear in downlight applications.

Cutoff Angle	Part Number	Product Code	CBCP of 10° Lamp
40°	AC-LU-4040-00	00339	63%

Diameter: 51.1 mm Thickness: 9.0 mm
 Magnetic Attach Force: 0.45 lb-F
 Reduces angular intensity to 0.1% of peak at 40° full angle.
 Fits around lamp face. Can be used in combination with gimbal ring fixtures.

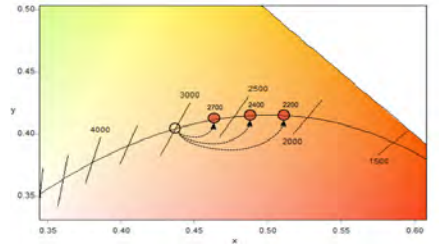


CCT SHIFTER SNAP

Use in hospitality and restaurant applications to simulate warm dimming. Create custom colors for festive occasions or brand identity. Single Lamp SKU can be used for multiple color temperatures

CTO*	Part Number	Product Code	Lumen Transmissivity	Mired Shift
1/4	AC-CC-0001-00	00323	90%	37
1/2	AC-CC-0002-00	00321	75%	83
3/4	AC-CC-0003-00	00319	60%	120

*Color Temperature Orange
 Diameter: 50.0 mm Thickness: 2 mm
 Magnetic Attach Force: 0.45 lb-F



CCT SHIFT EFFECT

Starting Lamp CCT	1/4 CTO	1/2 CTO	3/4 CTO
2,700K	2,450K	2,200K	2,000K
3,000K	2,700K	2,400K	2,200K
4,000K	3,500K	3,000K	2,700K
5,000K	4,250K	3,550K	3,125K

CLEAR SNAP

Use together with gel and dichroic filters for total color freedom. Produce the exact mood and effect for any environment with the Clear SNAP accessory,

Clear Snap are sold in quantities of ten.

Part Number Code	Product	Lumen Transmissivity (1 Snap)	Lumen Transmissivity (2 Snaps)
AC-CL-0000-00	02183	93%	87%

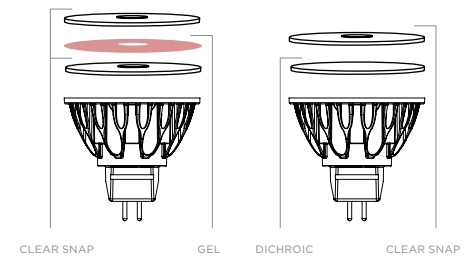
Diameter: 50.0 mm Thickness: 2 mm
 Magnetic Attach Force: 0.45 lb-F



Suggested way of use for:

Gel Filter

Dichroic Filter



10 PACK COMBO

Get unlimited design possibilities with the 10 Pack Combo which includes each of Soraa's awards winning Snap lenses. Contains 1 each of the following accessories:

- 25° Beam Spreader
- 36° Beam Spreader
- 60° Beam Spreader
- 10° x 25° Linear Lens
- 10° x 36° Linear Lens
- 25° x 25° Flat Top
- 36° x 36° Flat Top
- 1/4 CTO CCT Shifter
- 1/2 CTO CCT shifter
- 3/4 CTO CCT Shifter

Part Number	Product Code
AC-AA-COMB-00	00341

