

SORAA LED MR16 - GU10 BASE

5W



OUTPUT RANGE: VIVID SERIES	245-260 lumen; CRI-95, R9>95
OUTPUT RANGE: BRILLIANT SERIES	295-310 lumen; CRI-80
BEAM ANGLE RANGE	25°, 36°, 50°
COLOR TEMPERATURE RANGE	2700K and 3000K
APPLICATION	Halogen replacement for indoor & outdoor applications



POINT SOURCE OPTICS

Exceptional beam control enables smooth uniform beams
Single light source, single crisp shadow

VP₃ VIVID COLOR AND VP₃ NATURAL WHITE

VIVID series provides accurate color rendering across the visible spectrum from 400nm to 700nm, CRI-95, R9>90

Accurate white rendering based on >70% excitation of Optical Brightening Agents with emission between 400nm & 440 nm

ENERGY EFFICIENCY AND LONG LIFE

85% more energy efficient than standard halogen lamps
Typical payback of one year or less
Rated lifetime of 35,000 hours. Three year warranty

CERTIFICATIONS

UL Class 2 and non-class 2, CUL, FCC 47 CFR Part 15 and Part 18 (EMI), RoHS

HIGHLY COMPATIBLE

Thermally and geometrically compatible with standard fixtures

Lightweight, similar to halogen lamps

Suitable for fully enclosed fixtures. Can be used with front glass cover

Suitable for damp locations

Works with trailing edge and leading edge phase cut dimmers (see www.soraa.com/resources)

INTENDED USE AND APPLICATIONS

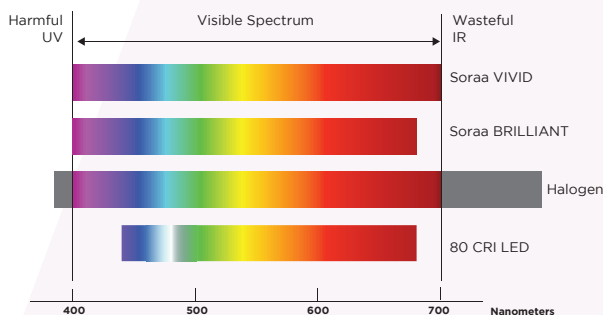
For use in GU10 compatible recessed downlights, track lighting and other indoor and outdoor applications

Soraa lamps are designed to safely shut down in any thermal environment not conducive to minimum airflow or proper ventilation

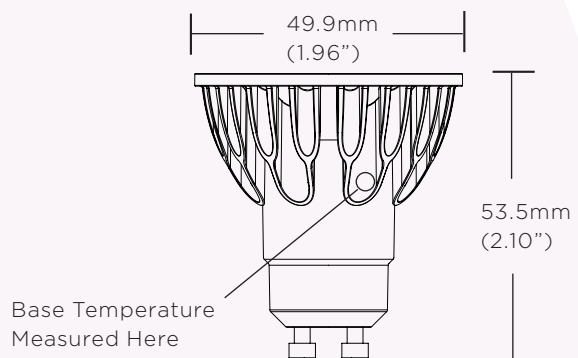
GENERAL SPECIFICATIONS

Form Factor	Operating Temperature	Electrical	
Width: 49.9mm (1.96")	Minimum: -40°C (ambient)	Wattage: 5.4W	Dimmable to < 20%
Height: 53.5mm (2.10")	Typical: 60°C - 70°C (base)	Power factor: 0.93	Flicker Index <0.06
Weight: 61g	Maximum: 80°C (base)	Voltage: 120V +/- 12V	Percent Flicker: 40%

COLOR RENDERING



DIMENSIONS

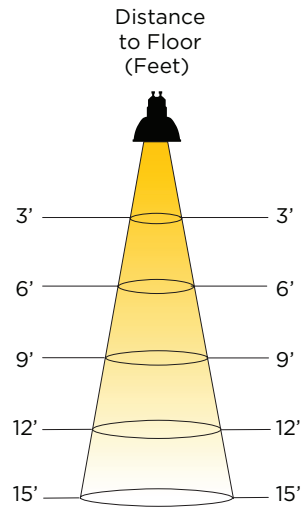


SORAA LED MR16 - GU10 BASE 5W

BEAM DIAGRAM

Narrow Flood 25°

Beam Dia at 50% CBCP (ft)	Field Dia at 10% CBCP (ft)	Foot-candles (% of CBCP)
1.3	2.1	11.1%
2.7	4.1	2.8%
4.0	6.2	1.2%
5.3	8.3	0.7%
6.7	10.3	0.4%



Flood 36°

Beam Dia at 50% CBCP (ft)	Field Dia at 10% CBCP (ft)	Foot-candles (% of CBCP)
1.9	3.1	11.1%
3.9	6.1	2.8%
5.8	9.2	1.2%
7.8	12.2	0.7%
9.7	15.3	0.4%

Wide Flood 50°

Beam Dia at 50% CBCP (ft)	Field Dia at 10% CBCP (ft)	Foot-candles (% of CBCP)
2.8	5.0	11.1%
5.6	10.1	2.8%
8.4	15.1	1.2%
11.2	20.1	0.7%
14.0	25.2	0.4%

SPECIFICATIONS BY PART NUMBER*

Model Number	Product Code	CCT (K)	Beam Angle (°)	Field Angle (°)	CBCP (Cd)	Halogen Equivalent** (Watts)	Total Flux (Lm)	Efficacy (Lm/W)	CRI/R9	White Point (McA)
VIVID SERIES										
SM16GA-05-25D-927-03	01261	2700	25	38	1350	35	245	45	95 / 95	3
SM16GA-05-36D-927-03	01273	2700	36	54	640	35	245	45	95 / 95	3
SM16GA-05-50D-927-03	01285	2700	50	80	300	35	245	45	95 / 95	3
SM16GA-05-25D-930-03	01265	3000	25	38	1430	35	260	48	95 / 95	3
SM16GA-05-36D-930-03	01277	3000	36	54	680	35	260	48	95 / 95	3
SM16GA-05-50D-930-03	01289	3000	50	80	310	35	260	48	95 / 95	3
BRILLIANT SERIES										
SM16GA-05-25D-827-03	01259	2700	25	38	1630	35	295	55	80 / >0	3
SM16GA-05-36D-827-03	01271	2700	36	54	770	35	295	55	80 / >0	3
SM16GA-05-50D-827-03	01283	2700	50	80	360	35	295	55	80 / >0	3
SM16GA-05-25D-830-03	01263	3000	25	38	1710	35	310	57	80 / >0	3
SM16GA-05-36D-830-03	01275	3000	36	54	810	35	310	57	80 / >0	3
SM16GA-05-50D-830-03	01287	3000	50	80	380	35	310	57	80 / >0	3

*Specifications are at stable warm operating conditions (25°C ambient) **Energy Star Minimum

CCT = Correlated Color Temperature CRI = Color Rendering Index (Ra-8) White Point = White Point Accuracy in McA step

SAFETY NOTE ON HEAT

Although Soraa's lamps operate at cooler temperatures than halogen lamps, it is recommended that gloves be worn when handling bare lamps that have been energized.