
Specifications



E361401

Customer Name: _____

Model: _____ 50W **UL/cUL Listed** LED Flood light Series _____

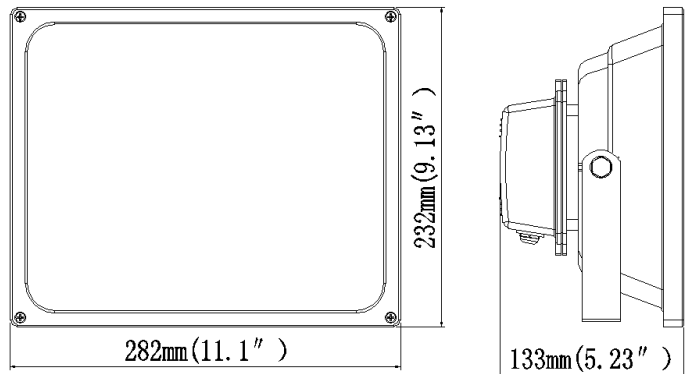
Product Code: _____ STL-050AC2 _____

Color: _____ Cool White _____

Operating Voltage: _____ 100-277VAC 50/60Hz _____

Customer Acknowledges: _____ Date: _____

Made by:	Maze	Verified by:	Power	Date :	2014-5-14
----------	------	--------------	-------	--------	-----------

Picture of real products**Dimension (mm)****●Features**

Item	Parameter range
Power	50W
LED Quantity	1PC Integration Bridgelux SMD LED
Color	Cool white
CCT	4000-4500K
CRI	≥75
Life-span	≥50,000 Hours
Flux	5,000lm ± 5%
Beam Angle	120°
Material	Aluminum + Toughened glass
Net Weight	MAX 2.6KG/PC
Gross Weight	MAX 3.0KG/PC
Inner box Dimension	32.5*27.7*19CM
Outer carton Dimension	85.6*34*41CM
Package Spec.	6PCS/CTN,20KG/CTN

●Technical request

item	units	Parameter range
working environment	°C	-37 ⁰ C - 55 ⁰ C
Working Humidity		≤95%
storage condition	°C	-40°C~80°C
limited voltage	V	100-277VAC 50/60Hz

Input current	A	0.20-0.50
Protection Level	IP65(Outdoor using)	

●Features

Integrated applications of LED light source, the unique circuit control design, reached a high efficiency and energy saving of more than 80%.

Ultra-high brightness, high color-rendering index, is the latest type of outdoor lighting products, long life (\geq 50,000 hours).

●Applications

It is mainly used for outdoor flood lighting, building decoration lighting, industrial lighting, advertising lighting, etc., a street lamp light distribution system, and can be used for road lighting.

●Attentions

1. Please use the correct power supply.
2. Please read the product installation manual carefully before using the products.