

IMPORTANT SAFEGUARDS

When using electrical equipment, basic safety precautions should always be followed including the following:

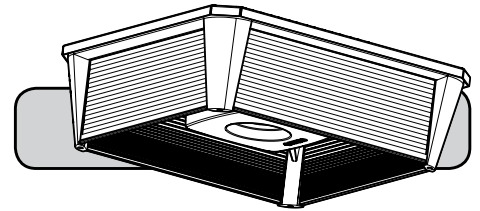
READ AND FOLLOW ALL SAFETY INSTRUCTIONS

- 1. DANGER-** Risk of shock- Disconnect power before installation.
DANGER – Risque de choc – Couper l'alimentation avant l'installation.
- This luminaire must be installed in accordance with the NEC or your local electrical code. If you are not familiar with these codes and requirements, consult a qualified electrician.
Ce produit doit être installé conformément à NEC ou votre code électrique local. Si vous n'êtes pas familier avec ces codes et ces exigences, veuillez contacter un électricien qualifié.
- DO NOT lift luminaire by the power leads.
- DO NOT carry or lift luminaire by wireform. Wireform is only for supporting luminaire while making wiring connections.

SAVE THESE INSTRUCTIONS FOR FUTURE REFERENCE

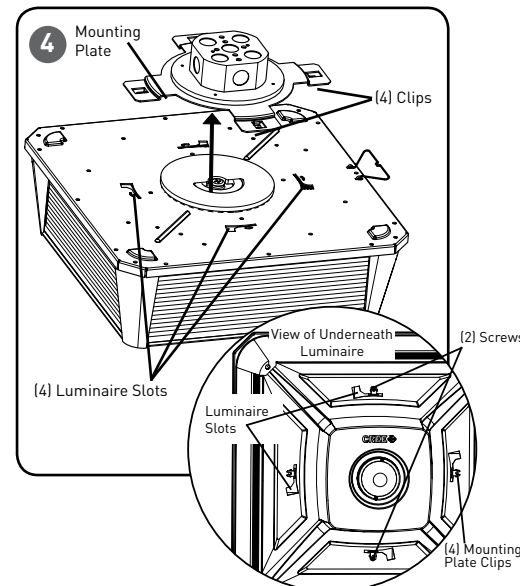
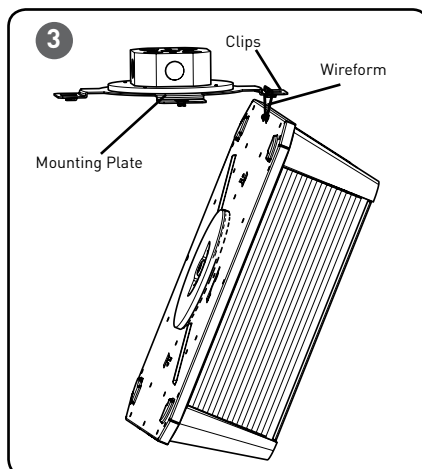
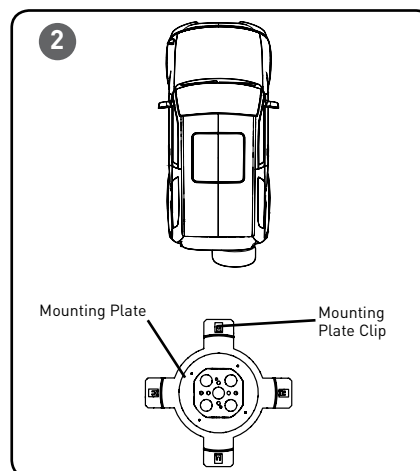
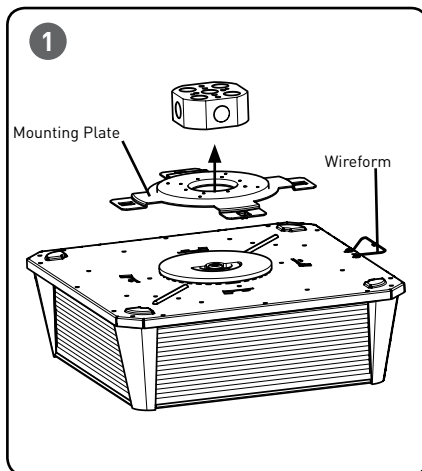
TO INSTALL:

INSTALLATION INSTRUCTIONS



NOTE:

- During installation and maintenance handle the luminaire only by the housing NOT by the lens.



JUNCTION BOX MOUNTING

STEP 1:

Attach mounting plate to customer supplied junction box with the clips on the Mounting Plate directed parallel to vehicle traffic as shown in Figure 2. Torque to 20 in.-lbs. See **Figure 1 and 2.**

STEP 2:

For hands-free wiring locate the wireform on luminaire and attach it to the clip on the Mounting Plate. See **Figure 3.**

STEP 3:

Make wiring connections per "Electrical Connections" section.

STEP 4:

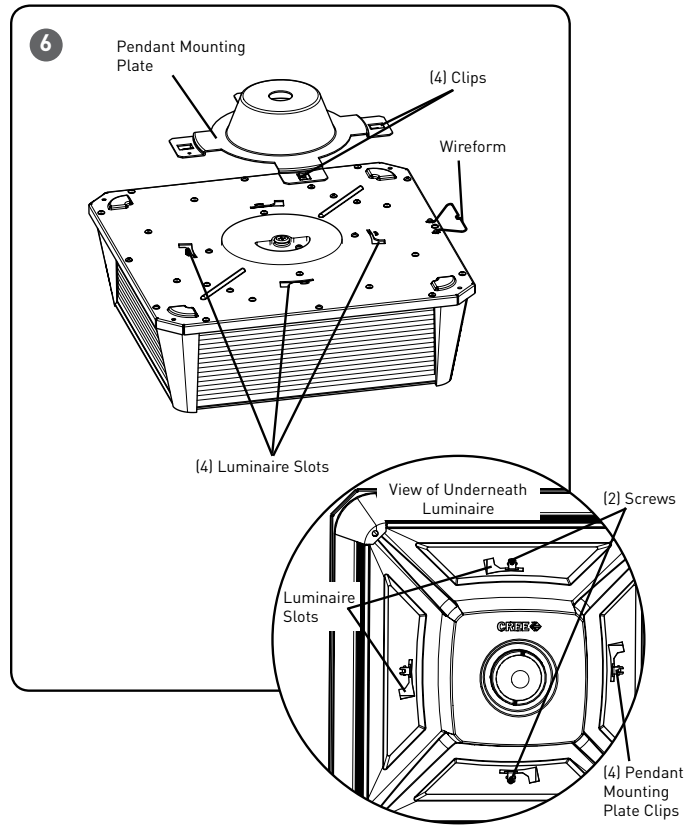
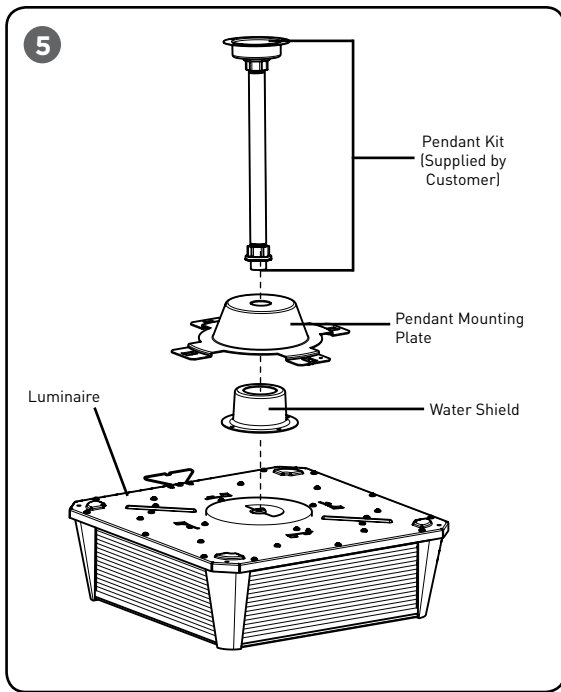
After wiring connections have been made, tuck all wires into junction box ensuring that no wires are pinched. Remove wireform on luminaire from the clip on the mounting plate. Fold the wireform back down onto the luminaire.

STEP 5:

Attach luminaire to the Mounting Plate by pressing up on the luminaire until the slots on the luminaire engage with the clips on the Mounting Plate and rotate until clips lock securely. To secure install a minimum of (2) supplied screws across from each other into the mounting plate clips on the underside of the luminaire. See **Figure 4.**

NOTE: May require extra pressure on luminaire to engage clips into slots. Only apply pressure on housing body NOT on the luminaire lens.

NOTE: If the mounting plate clips become deformed during installation, slightly reopen the clips back up using a screwdriver to ensure proper install of luminaire.



STEP 6:

Lightly pull on the luminaire to verify luminaire is securely mounted.

FIXTURE SERVICING AND MAINTENANCE

STEP 1:

If supply wiring splices need to be inspected or if luminaire needs to be removed, fully loosen the (2) screws and rotate luminaire to disengage from Mounting Plate.

NOTE: Locate wireform on luminaire and attach it to mounting plate to support luminaire during splice inspection. See **Figure 6**.

STEP 2:

To re-install luminaire, when finished with servicing or maintenance follow Step 2-6 in "Junction Box Mounting" section above.

PENDANT MOUNTING (OPTIONAL)

NOTE: Customer supplied 3/4" IP Pendant Kit and wire leads may be necessary for pendant mounting. For existing rigid pendant installations, perform Step 2 through 8 only. Not recommended for use with a hang straight pendant. Cree does not provide a counterbalance system.

STEP 1:

Feed wire leads through customer supplied pendant kit. See **Figure 5**. Make sure leads are at least 6 in longer than customer supplied pendant stem.

STEP 2:

Attach Pendant Mounting Plate to customer supplied pendant kit. See **Figure 5**.

STEP 3:

Feed wire leads through the Water Shield.

NOTE: Water Shield will be held in place by the Pendant Mounting Plate. No fasteners are necessary.

STEP 4:

If wiring to a previously installed pendant kit, locate the wireform on luminaire and attach it to the clip on the Pendant Mounting Plate for hands-free wiring. See **Figure 6**.

STEP 5:

Make wiring connections to customer supplied wire leads per "**Electrical Connections**" section.

STEP 6:

After wiring connections have been made, tuck all wires into the water shield ensuring that no wires are pinched. If used, remove wireform on the luminaire from the clip on the pendant Mounting Plate. Fold wireform back down onto luminaire.

NOTE: Ensure that splices are contained within Water Shield for future splice inspections.

STEP 7:

Attach luminaire to the Pendant Mounting Plate by engaging the clips on the Pendant Mounting Plate with the slots on the luminaire. Rotate until clips lock securely. See **Figure 6**.

NOTE: May require extra pressure on Pendant Mounting Plate to engage luminaire clips into slots.

STEP 8:

Install a minimum of (2) supplied screws into the pendant mounting plate clips on the underside of the luminaire. See **Figure 6**.

STEP 9:

Cut off any excess length of leads from the top of the customer supplied pendant kit.

STEP 10:

Make wiring connections to customer supplied junction box per "**Electrical Connections**" section.

STEP 11:

Using customer supplied hardware, attach pendant kit and luminaire to customer supplied junction box.

LED LUMINAIRE MAINTENANCE

CLEANING INSTRUCTIONS:

Regular cleaning of the light LED luminaire is required to keep the LED luminaire operating optimal optical performance.

- Cleaning intervals to be no more than twelve months for IESNA Clean category environments and more frequently for dirtier conditions.
- Care should be taken as to not damage the lens and/or the interior reflective surface as these components are critical for optimal performance.
- Do not use any type of cleaners or stiff brushes on the LED luminaire. Use water with mild detergent and soft cloth.

FCC NOTICE

CAUTION: Changes or modifications not expressly approved could void your authority to use this equipment.

This device complies with part 15 of the FCC Rules. Operation is subject to the following two conditions: (1) This device may not cause harmful interference, and (2) this device must accept any interference received, including interference that may cause undesired operation.

This equipment has been tested and found to comply with the limits for a Class A digital device, pursuant to part 15 of the FCC Rules. These limits are designed to provide reasonable protection against harmful interference when the equipment is operated in a commercial environment. This equipment generates, uses, and can radiate radio frequency energy and, if not installed and used in accordance with the instruction manual, may cause harmful interference to radio communications. Operation of this equipment in a residential area is likely to cause harmful interference in which case the user will be required to correct the interference at his own expense.

CAN ICES-003 (A)/NMB-003 (A)

ELECTRICAL CONNECTIONS

STEP 1:

Make the following Electrical Connections for products rated 120V, 277V, or 347V (Line-Neutral), or rated 208V, or 240V (Line-Line):

- For products rated 120V, 277V or 347V, connect the Black lead from the luminaire to the LINE supply wiring inside the junction box or for products rated 208V, or 240V, connect to the HOT 1 supply wiring.
- For products rated 120V, 277V or 347V, connect the White lead from the luminaire to the NEUTRAL supply wiring inside the junction box or for products rated 208V, or 240V, connect to the HOT 2 supply wiring.
- Connect the Green or Green/Yellow lead from the luminaire to the GROUND supply wiring inside the junction box.

