

### IMPORTANT SAFEGUARDS

When using electrical equipment, basic safety precautions should always be followed including the following:

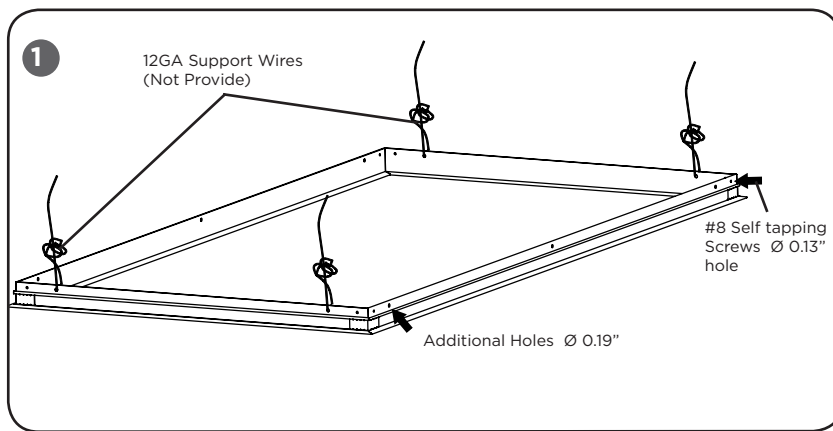
### READ AND FOLLOW ALL SAFETY INSTRUCTIONS

- DANGER**- Risk of shock- Disconnect power before installation.  
*DANGER – Risque de choc – Couper l'alimentation avant l'installation.*

### SAVE THESE INSTRUCTIONS FOR FUTURE REFERENCE

### TO INSTALL:

### INSTALLATION INSTRUCTIONS



#### STEP 1:

Cut the Drywall opening based on the following size table below.

PRODUCT	LENGTH	WIDTH
DGA14-WHT	48.37" (1228.7mm)	12.56" (319.1mm)
DGA22-WHT	24.37" (619.1mm)	24.37" (619.1mm)
DGA24-WHT	48.37" (1228.7mm)	24.37" (619.1mm)

Tolerance for L or W: +.125"/-0

#### STEP 2:

Form minimum 12GA support wire (not included) to tie the DGA, Drywall Grid Adaptor. If necessary, use support wires to tie the additional holes of the DGA to reinforce the strength. See **Figure 1**.

**NOTE:** Additional holes are Ø 0.19".

- DGA22-WHT includes 2 additional holes on each side.
- DGA14-WHT & DGA24-WHT includes 3 additional holes on each side.

#### STEP 3:

Another option to secure the DGA is to use the #8 self tapping screw.

**NOTE:** #8 self tapping screw holes are Ø 0.13", 2 per side.

#### CREE® TRUEWHITE® TECHNOLOGY FIXTURE ACCESSORY LIMITED CONSUMER WARRANTY

The limited warranty set forth below is given by the Cree company listed below ("Seller") with respect to the lighting product packaged with this limited warranty (the "Product"). Your Product, when delivered to you in new condition in its original packaging, is warranted against defects in materials or workmanship as follows: for a period of ONE (1) YEAR from the date of original purchase, defective parts or a defective Product returned with the sales receipt as proof of purchase to Seller, or its authorized service providers, as applicable, and proven to be defective upon inspection, will be repaired, or exchanged for a new Product, as determined by Seller, or the authorized service provider. This limited warranty covers all defects encountered in normal use of the Product, and does not apply in the following cases: Loss of or damage to the Product due to acts of God; fire; vandalism; civil disturbances; power surges; improper power supply; electrical current fluctuations; corrosive environment installations; induced vibration; harmonic oscillation or resonance associated with movement of air currents around the product; abuse; alteration; accident; mishandling; failure to follow operating, maintenance or environmental instructions prescribed by Seller in writing or services performed by someone other than Seller or its authorized service provider. WARRANTY IS VOID IF PRODUCT IS NOT USED FOR THE PURPOSE FOR WHICH THIS PRODUCT IS MANUFACTURED. Any complaints you may have regarding the Product should be addressed to Ruud Lighting, Inc., 9201 Washington Avenue, Racine, WI 53406. Seller shall have no liability under this warranty unless Seller is notified in writing within sixty (60) days after your discovery of the defect and the defective items are promptly returned to Seller, freight prepaid, and received by Seller. This warranty excludes field labor and service charges related to the repair or replacement of the product. NO IMPLIED WARRANTY, INCLUDING ANY IMPLIED WARRANTY OF MERCHANTABILITY OR FITNESS FOR A PARTICULAR PURPOSE, APPLIES TO THE PRODUCT AFTER THE APPLICABLE PERIOD OF THE EXPRESS LIMITED WARRANTY STATED ABOVE, AND NO OTHER EXPRESS WARRANTY OR GUARANTY GIVEN BY ANY PERSON OR ENTITY WITH RESPECT TO THE PRODUCT SHALL BIND SELLER. (SOME STATES AND PROVINCES DO NOT ALLOW LIMITATIONS ON HOW LONG AN IMPLIED WARRANTY LASTS, SO THE ABOVE LIMITATION MAY NOT APPLY TO YOU.)