

DGA

Drywall Grid Adapter for CR and ZR Series Troffers

Product Description

The DGA "lay-in" accessory enables Cree CR and ZR Series troffers to easily install into plaster and sheet rock ceilings. It may be installed into any hard ceiling to create a simple t-bar style opening.

Product Specifications

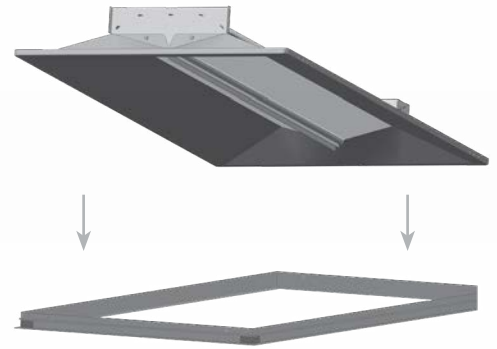
INSTALLATION

- **DGA24-WHT Rough in Dimensions:** 24.375" x 48.375"
- **DGA14-WHT Rough in Dimensions:** 12.5" x 48.375"
- **DGA22-WHT Rough in Dimensions:** 24.375" x 24.375"
- **Tolerance for L or W:** +.125"/-0

Ordering Information

Example: DGA14-WHT

Product
DGA24-WHT CR24 and ZR24 compatible
DGA14-WHT CR14 and ZR14 compatible
DGA22-WHT CR22 and ZR22 compatible



NOTE: Luminaire not included.

Rev. Date: V2 10/22/2015