

# A19P Series

LED 4Flow Bulbs

## Product Description

Thanks to our beautifully-engineered 4Flow™ Filament Design, the new Cree® LED A19 bulb looks and lights even more like a classic light bulb without sacrificing the energy cost savings and lifetime benefits you deserve. These bulbs turn on instantly, are compatible with most standard incandescent dimmers, and deliver up to 815 lumens of warm 2700K light or cool 5000K light, while consuming 85% less energy than the incandescent bulbs they replace. Our latest innovation combines cross-flow ventilation and clever optical design to generate the timeless appearance and compact, optically balanced light source of an incandescent bulb inside a durable, shatter-proof housing, delivering both an inspiring light experience and enhanced affordability.

## Performance Summary

Utilizes Cree LED 4Flow™ Filament Design

Made in the U.S.A. of U.S. and imported parts

**Lamp Delivered Light Output:** 460 lumens (40W eq); 815 lumens (60W eq)

**Input Power :** 6 watts (40W eq)  
11 watts (60W eq)

**CRI:** >80

**CCT:** 2700K, 5000K

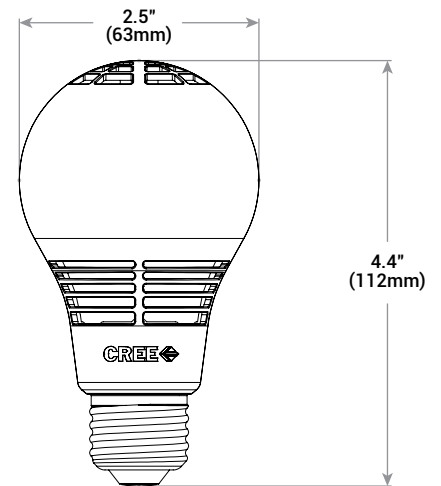
**Limited Warranty\*:** 3 years

**Lifetime:** Designed to last at least 25,000 hours

**Dimming:** Dimmable to 5% with select dimmers

Must order in multiples of master carton (MC) quantities

\*See [www.cree.com/lighting/products/warranty](http://www.cree.com/lighting/products/warranty) for warranty terms



## Ordering Information

Example: A19P-60W-27K-B1

Product	Watt Equivalent	CCT	Voltage	Base	CRI	Packaging Options
A19P	40W 40 Watt (460 lumens) 60W 60 Watt (815 lumens)	27K 2700 Kelvin 50K 5000 Kelvin	Blank 120 Volt	Blank E26 (screw base)	Blank 80 CRI	B1 (8) Blister Pack bulbs in master carton (MC=8) WST Wingstack - 60W Equivalent, 2700K only (Quantity 48)



Rev. Date: V2 07/17/2015



## A19P Series LED 4Flow Bulbs

### Product Specifications

#### CONSTRUCTION & MATERIALS

- A-type bulb design weighs less than 2 ounces (57g) and uses a standard E26 screw base
- Shatter-proof plastic for increased safety and robustness
- Bulb meets ANSI standards for A19 dimensions
- Mercury free

#### OPTICAL SYSTEM

- Proprietary Cree LED 4Flow™ Filament Design creates perfect omnidirectional light distribution
- Plastic globe offers increased optical spread

#### ELECTRICAL SYSTEM

- **Power Factor:** > 0.9 nominal
- **Input Voltage:** 120V, 60Hz
- **Dimming:** Dimmable to 5% with select dimmers. Refer to [www.creelink.com/exLink.asp?113292800C68M38126736032](http://www.creelink.com/exLink.asp?113292800C68M38126736032) for additional details
- **Operating Temperature Range:** -25°C - +45°C (-13°F - +113°F)

#### REGULATORY & VOLUNTARY QUALIFICATIONS

- cULus Listed
- Suitable for damp locations; not for use where exposed directly to weather or water
- Suitable for use in enclosed light fixtures
- **ENERGY STAR® qualified:**  
Please refer to [www.energystar.gov/productfinder/product/certified-light-bulbs/results](http://www.energystar.gov/productfinder/product/certified-light-bulbs/results) for most current information  
A19P 40W (27K): BA19-04527OMF-12DE26-3U100  
A19P 40W (50K): BA19-04550OMF-12DE26-3U100  
A19P 60W (27K): BA19-08027OMF-12DE26-3U100  
A19P 60W (50K): BA19-08050OMF-12DE26-3U100
- Meets FCC Part 15 standards for conducted and radiated emissions
- RoHS compliant. Consult factory for additional details

### A19P B1 (8) Blister Pack bulbs in master carton (MC = 8)



### A19P WST Wingstack - 60W Equivalent, 2700K only (Quantity 48)



Product Number	UPC	Description	Bulb Type	Watts	CCT	Lamps per Master Carton	Pallet Qty	CRI	Lumens	Rated Life (Hrs)
A19P-60W-27K-B1*	849665002086	4Flow 60W Replacement, 2700K USA	A19	11W	2700K	8	80	>80	815	25,000
A19P-60W-50K-B1*	849665002093	4Flow 60W Replacement, 5000K USA	A19	11W	5000K	8	80	>80	815	25,000
A19P-40W-27K-B1*	849665002109	4Flow 40W Replacement, 2700K USA	A19	6W	2700K	8	80	>80	460	25,000
A19P-40W-50K-B1*	849665002116	4Flow 40W Replacement, 5000K USA	A19	6W	5000K	8	80	>80	460	25,000

\* Must be ordered in quantities of 8