

Catalog Number
Notes
Type

FEATURES & SPECIFICATIONS

INTENDED USE

Provides years of maintenance-free illumination for outdoor use in residential & commercial applications. Ideal for applications such as lighting walkways and stairways.

CONSTRUCTION

Cast-aluminum housing with corrosion-resistant paint in either dark bronze or white finish.

ADA compliant.

OPTICS

4000K CCT LEDs.

Polycarbonate lens protects the LED from moisture, dirt and other contaminants.

LUMEN MAINTENANCE: The LED will deliver 70% of its initial lumens at 50,000 hour average LED life. See Lighting Facts label on page 2 for performance details.

ELECTRICAL

MVOLT driver operates on any line voltage from 120-277V.

Operating temperature -30°C to 40°C.

1KV surge protection standard.

INSTALLATION

Surface mount to universal junction box (provided by others).

LISTINGS

UL Listed to U.S. and Canadian safety standards for wet locations.

Tested in accordance with IESNA LM-79 and LM-80 standards.

WARRANTY

Five-year limited warranty.

Full warranty terms located at www.AcuityBrands.com/CustomerResources/Terms_and_Conditions.aspx.

Note: Specifications are subject to change without notice.

Actual performance may differ as a result of end-user environment and application.

Outdoor General Purpose

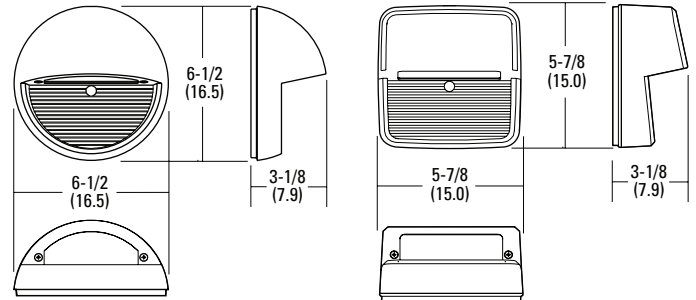
OLSR & OLSS

LED STEP LIGHT



Specifications

All dimensions are inches (centimeters)



ORDERING INFORMATION

Lead times will vary depending on options selected. Consult with your sales representative.

Example: OLSS DDB

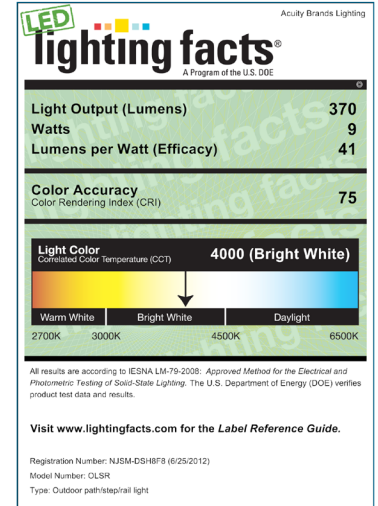
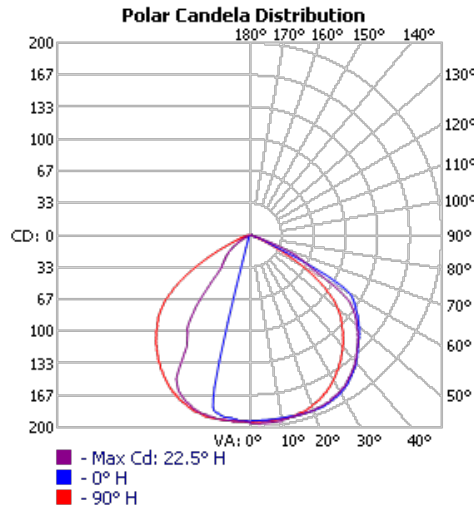
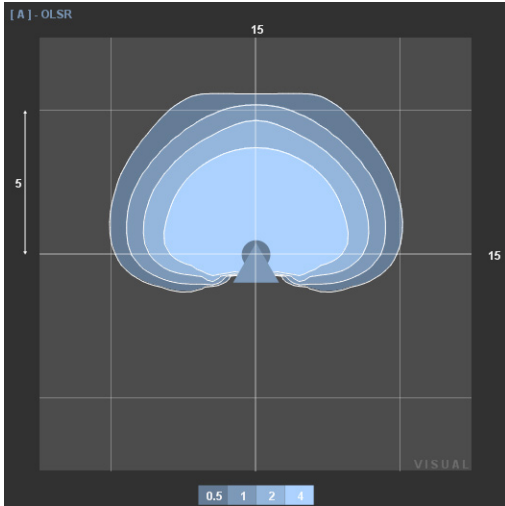
Series	Color temperature (CCT)	Voltage	Finish
OLSR Step light round	(blank) 4000K	(blank) MVOLT (120V-277V)	DDB Dark bronze
OLSS Step light square			WH White

OLSR & OLSS LED Step Light

PHOTOMETRICS

To see complete photometric reports or download .ies files for this product, visit Lithonia Lighting's Outdoor LED homepage
 Tested in accordance with IESNA LM-79 and LM-80 standards.

OLSR



OLSS

