

# CPY Series

CPY250™ LED Canopy/Soffit Luminaire

## Product Description

The CPY250™ LED Canopy/Soffit Luminaire has an extremely thin profile constructed of rugged cast aluminum. It can be surface mounted easily from below the canopy deck and also has the ability to be pendant mounted. Direct imaging of the LEDs is eliminated with a highly efficient patterned flat or 0.91" (23mm) drop glass lens.

**Applications:** Petroleum canopies, CNG fueling stations, low-medium bay general lighting, soffits

## Performance Summary

Made in the U.S.A. of U.S. and imported parts

**CRI:** Minimum 70 CRI

**CCT:** 4000K (+/- 300K), 5700K (+/- 500K) Standard

**Limited Warranty:** 10 years on luminaire/10 years on Colorfast DeltaGuard® finish

IP66 Rated (Direct Mount only)

Class I, Division II Hazardous Location for select models

## Accessories

Field-Installed	
<b>Direct Mount Luminaires</b>	<b>Pendant Mount Luminaires</b>
<b>Canopy Upgrade Kits</b>	<b>Fitting</b>
XA-BXCCMW – for use with Jet-Philips	XA-PSFTG – Pendant Fitting
XA-BXCCNW – for use with ElSCO Franciscan	<b>Pendant Mount Kits</b>
XA-BXCCPW – for use with LSI Dakota or Masters	XA-PS22KIT* – 22" (559mm)
XA-BXCCQW – for use with Whiteway Riviera or Rig-A-Lite	XA-PS12KIT* – 12" (305mm)
XA-BXCCRW – for use with ElSCO Merrit	XA-PS18KIT* – 18" (457mm)
XA-BXCCSW – for use with LSI Richmond or Whiteway Civic	- Pendant height from ceiling surface to bottom of fixture; mounting accessories or surface boxes will add to overall height
<b>Direct Mount Junction Box/Stem Kit</b>	<b>Hand-Held Remote</b>
XA-BXCCJBOX – 6.0" (152mm) H x 3/4" (19mm) NPT Stem	XA-SENSREM
- Watertight	- For successful implementation of the programmable multi-level option, a minimum of one hand-held remote is required
- Rated for feed through 8 (4 in, 4 out) #12 AWC conductors	
<b>Direct Mount Beauty Plates</b>	
XA-BXCCBPW – Plate Only	
XA-BXCCBPB12W – Plate w/ 12" (305mm) Backer	
XA-BXCCBPB16W – Plate w/ 16" (406mm) Backer	

\*Must specify color

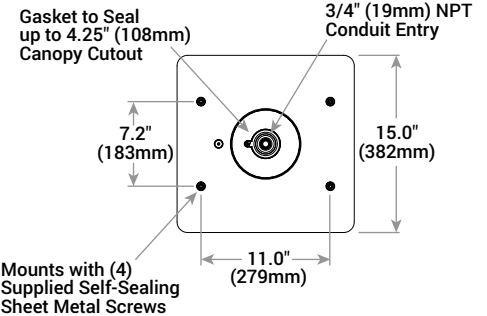
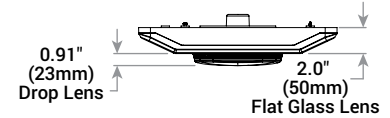
## DM Mount



Flat Lens



Drop Lens



Mounts with (4) Supplied Self-Sealing Sheet Metal Screws

## Weight

12.5 lbs (5.7kg)

## Ordering Information

Example: CPY250-A-DM-D-A-UL-SV

Product	Version	Mounting	Optic	Input Power Designator	Voltage	Color Options	Options
CPY250	A						
CPY250	A	<b>DM</b> Direct <b>PD</b> Pendant	<b>D</b> 0.91" (23mm) Drop Lens <b>F</b> Flat Lens	<b>A</b> 82W <b>B</b> 120W <b>C</b> 43W <b>D</b> 140W	<b>UL</b> Universal 120-277V <b>UH</b> Universal 347-480V - Available with A, B & D Input Power Designators only	<b>BK</b> Black <b>BZ</b> Bronze <b>SV</b> Silver <b>WH</b> White	<b>DIM 0-10V Dimming</b> - Available with B & D Input Power Designators only - Control by others - Refer to Dimming spec sheet for details - Can't exceed wattage of specified Input Power Designator <b>ML Multi-Level</b> - Available with B & D Input Power Designators only - Refer to ML spec sheet for details - High: 100%, Low: 30% <b>PML Programmable Multi-Level</b> - Available with B & D Input Power Designators only - Refer to PML spec sheet for details <b>40K 4000K Color Temperature</b> - Minimum 70 CRI - Color temperature per luminaire



Rev. Date: V5 07/09/2015



## Product Specifications

### CONSTRUCTION & MATERIALS

- Slim, low profile design
- Easy mounting and servicing from below the deck
- Luminaire housing is constructed of rugged cast aluminum with integral heat sink specifically designed for LED
- Flat lens is 0.125" tempered Solite® glass
- Drop lens is 0.157" molded borosilicate glass
- Direct mount is suitable for use in single or double skin canopies with a minimum 4.0" (102mm) wide panels and a minimum 22 gauge, 0.030" (0.7mm) canopy thickness
- Direct mount luminaire mounts directly to the canopy deck with the drilling of a single 2" to 4" (51mm to 102mm) round hole, is secured in place with self-sealing screws that provides a weathertight seal and includes 3/4" (19mm) conduit entry for direct wire feed
- Pendant mount includes J-Box for customer wiring and is intended to be mounted by 3/4 IP pendant (by others)
- Exclusive Colorfast DeltaGuard® finish features an E-Coat epoxy primer with an ultra-durable powder topcoat, providing excellent resistance to corrosion, ultraviolet degradation and abrasion. Black, bronze, silver and white are available
- **Weight:** 12.5 lbs. (5.7kg)

### ELECTRICAL SYSTEM

- **Input Voltage:** 120-277V or 347-480V (A, B and D Input Power Designators only), 50/60Hz, Class 1 drivers
- **Power Factor:** > 0.9 at full load
- **Total Harmonic Distortion:** < 20% at full load
- Integral 6kV surge suppression protection standard
- To address inrush current, slow blow fuse or type C/D breaker should be used
- **10V Source Current:** 0.15mA
- **Operating Temperature Range:** A Input Power Designator: -40°C - +40°C (direct mount to plywood), -40°C - +45°C (direct mount to sheet metal/suspended); B Input Power Designator: -40°C - +35°C (plywood), -40°C - +40°C (sheet metal/suspended); C Input Power Designator: -40°C - +45°C (plywood), -40°C - +50°C (sheet metal/suspended); D Input Power Designator: -40°C - +35°C (sheet metal/suspended)  
**WARNING:** Exceeding maximum operating temperature may result in thermal foldback

### REGULATORY & VOLUNTARY QUALIFICATIONS

- cULus Listed
- Suitable for wet locations when ordered with DM mount
- Suitable for damp locations when ordered with PD mount
- Enclosure rated IP66 per IEC 60529 when ordered with DM mount
- Consult factory for CE Certified products
- 6kV surge suppression protection tested in accordance with IEEE/ANSI C62.41.2
- Meets FCC Part 15 standards for conducted and radiated emissions
- DLC qualified when ordered with A, B & C Input Power Designators. Please refer to [www.designlights.org/QPL](http://www.designlights.org/QPL) for most current information
- Luminaire and finish endurance tested to withstand 5,000 hours of elevated ambient salt fog conditions as defined in ASTM Standard B 117
- Meets Buy American requirements within ARRA
- RoHS compliant when ordered with DM mount. Consult factory for additional details
- Class I, Division II Hazardous Location rated when ordered with the following SKUs: CPY250-A-DM-D-B-UL-WH, CPY250-A-DM-F-B-UL-WH, CPY250-A-DM-D-B-UH-WH and CPY250-A-DM-F-B-UH-WH. Consult factory for additional details

Electrical Data*								
Input Power Designator	System Watts 120-277V	System Watts 347-480V	Total Current					
			120V	208V	240V	277V	347V	480V
A	82	84	0.69	0.40	0.35	0.32	0.24	0.18
B	120	117	1.05	0.61	0.54	0.47	0.36	0.26
C	43	N/A	0.35	0.21	0.19	0.17	N/A	N/A
D	140	145	1.24	0.71	0.62	0.54	0.44	0.29

\* Electrical data at 25°C (77°F)

Recommended CPY Series Lumen Maintenance Factors (LMF) <sup>1</sup>						
Ambient	Input Power Designator	Initial LMF	25K hr Projected <sup>2</sup> LMF	50K hr Projected <sup>2</sup> LMF	75K hr Projected <sup>2</sup> LMF	100K hr Projected <sup>2</sup> LMF
5°C (41°F)	A & C	1.05	1.00	0.93	0.87	0.81
	B & D		0.98	0.90	0.83	0.76
10°C (50°F)	A & C	1.04	0.99	0.92	0.86	0.80
	B & D		0.98	0.89	0.82	0.75
15°C (59°F)	A & C	1.02	0.97	0.91	0.84	0.79
	B & D		0.96	0.88	0.80	0.74
20°C (68°F)	A & C	1.01	0.96	0.90	0.84	0.78
	B & D		0.95	0.87	0.80	0.73
25°C (77°F)	A & C	1.00	0.95	0.89	0.83	0.77
	B & D		0.94	0.86	0.79	0.72
30°C (86°F)	A & C	0.99	0.94	0.88	0.82	0.76
	B & D		0.93	0.85	0.78	0.72

<sup>1</sup> Lumen maintenance values at 25°C (77°F) are calculated per TM-21 based on LM-80 data and in-situ luminaire testing on sheet metal

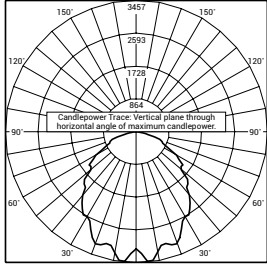
<sup>2</sup> In accordance with IESNA TM-21-11, Projected Values represent interpolated value based on time durations that are within six times (6x) the IESNA LM-80-08 total test duration (in hours) for the device under testing (DUT) i.e. the packaged LED chip

CPY250™ LED Canopy/Soffit Luminaire

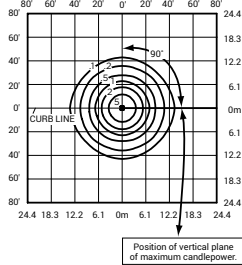
**Photometry**

All published luminaire photometric testing performed to IESNA LM-79-08 standards by a NVLAP accredited laboratory. To obtain an IES file specific to your project consult: [www.cree.com/Lighting/Products/Outdoor/Canopy/CPY-Series](http://www.cree.com/Lighting/Products/Outdoor/Canopy/CPY-Series)

**DROP LENS**



CESTL Test Report #: 2013-0111  
CPY250-A-\*\*-D-A-UL  
Initial Delivered Lumens: 8,356



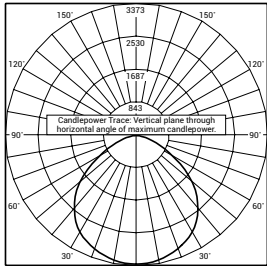
CPY250-A-\*\*-D-A-UL  
Mounting Height: 15' (4.6m)  
Initial Delivered Lumens: 8,000  
Initial FC at grade

**Drop Lens Distribution**

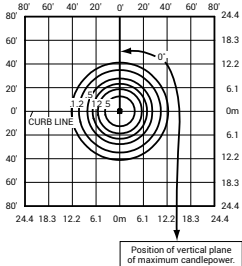
Input Power Designator	4000K		5700K	
	Initial Delivered Lumens*	BUG Ratings** Per TM-15-11	Initial Delivered Lumens*	BUG Ratings** Per TM-15-11
A	7,600	B3 U2 G1	8,000	B3 U2 G1
B	12,400	B3 U2 G1	13,000	B3 U2 G2
C	4,400	B2 U2 G1	4,620	B2 U2 G1
D	16,403	B3 U3 G2	17,059	B4 U3 G2

\* Initial delivered lumens at 25°C (77°F)  
\*\* For more information on the IES BUG (Backlight-Uplight-Glare) Rating visit: [www.ies.org/PDF/Erratas/TM-15-11BugRatingsAddendum.pdf](http://www.ies.org/PDF/Erratas/TM-15-11BugRatingsAddendum.pdf)

**FLAT LENS**



ITL Test Report #: 76866  
CPY250-A-\*\*-F-A-UL  
Initial Delivered Lumens: 8,821



CPY250-A-\*\*-F-A-UL  
Mounting Height: 15' (4.6m)  
Initial Delivered Lumens: 8,000  
Initial FC at grade

**Flat Lens Distribution**

Input Power Designator	4000K		5700K	
	Initial Delivered Lumens*	BUG Ratings** Per TM-15-11	Initial Delivered Lumens*	BUG Ratings** Per TM-15-11
A	7,600	B3 U0 G1	8,000	B3 U0 G1
B	12,400	B3 U0 G1	13,000	B3 U0 G1
C	4,400	B2 U0 G1	4,620	B2 U0 G1
D	16,798	B4 U0 G1	17,470	B4 U0 G1

\* Initial delivered lumens at 25°C (77°F)  
\*\* For more information on the IES BUG (Backlight-Uplight-Glare) Rating visit: [www.ies.org/PDF/Erratas/TM-15-11BugRatingsAddendum.pdf](http://www.ies.org/PDF/Erratas/TM-15-11BugRatingsAddendum.pdf)

**PD Mount**

