

INSTALLATION INSTRUCTIONS**IMPORTANT SAFEGUARDS**

When using electrical equipment, basic safety precautions should always be followed including the following:

READ AND FOLLOW ALL SAFETY INSTRUCTIONS

- 1. DANGER - RISK OF SHOCK - DISCONNECT POWER BEFORE INSTALLATION**
DANGER - RISQUE DE CHOC - COUPER L'ALIMENTATION AVANT L'INSTALLATION
- 2. This LED upgrade product is UL Classified for use with ElSCO Merritt, Whiteway Riviera, LSI Masters/Dakota, Rig-a-Lite, Jet-Philips or ElSCO Franciscan only. DO NOT install into any other manufacturer's luminaire. To maintain existing Luminaires' UL listing, the LED Upgrade Kit must be UL Classified for use with the manufacturer and model of existing luminaire. Consult CREE Customer support to see if other luminaires are classified to be used with this LED Upgrade Kit.**
Ce produit upgrade LED est classifié UL pour une utilisation avec la série ElSCO Merritt, Whiteway Riviera, LSI Masters/Dakota, Rig-a-Lite, Jet-Philips ou ElSCO Franciscan seulement. Ne pas installer ce upgrade LED dans le luminaire de tout autre fabricant. Pour maintenir la qualification UL des Luminaires existants, le kit LED upgrade doit être classifié UL pour une utilisation avec le fabricant et le modèle de luminaire existant. Consulter CREE Support Clientèle pour voir si les autres luminaires peuvent être utilisés avec ce upgrade LED.
- 3. WARNING - Risk of fire or electric shock. LED Upgrade Kit installation requires knowledge of luminaires electrical systems. If not qualified, do not attempt installation. Product must be installed in accordance with NEC or your local electrical code. If you are not familiar with these codes and requirements, contact a qualified electrician.**
ATTENTION- Risque d'incendie ou de choc électrique. L'installation du kit upgrade LED exige la connaissance des systèmes électriques pour luminaires. Si non qualifié, ne tentez pas d'installation. Ce produit doit être installé conformément à NEC ou votre code électrique local. Si vous n'êtes pas familier avec ces codes et ces exigences, veuillez contacter un électricien qualifié.
- 4. WARNING - Risk of fire or electric shock. Luminaire wiring and electrical parts may be damaged when drilling for installation of the LED Upgrade Kit. Check for enclosed wiring and components.**
ATTENTION - Risque d'incendie ou de choc électrique. Câblage électriques peuvent être endommagés lors du perçage pour l'installation du kit upgrade LED. Vérifier les fils et composants.
- 5. WARNING - Risk of fire or electric shock. Check the existing wiring for damage before installing Upgrade Kit. Do not install if existing wires are damaged.**
ATTENTION- Risque d'incendie ou de choc électrique. Vérifiez si le câblage existant n'est pas endommagé avant l'installation du kit upgrade LED. Ne pas installer si des fils sont endommagés.
- 6. WARNING - To prevent wiring damage or abrasion, do not expose wires to the edge of sheet metal or any other sharp objects.**
ATTENTION - Pour éviter les dégâts de câblage par l'abrasion, ne pas mettre en contact les fils électriques avec des bords de tôle ou d'autres objets pointus.
- 7. WARNING - Risk of fire or electric shock. Install this kit only in the luminaires that have the construction features and dimensions shown in the photographs and/or drawings.**
ATTENTION - Risque d'incendie ou de choc électrique. Installez ce kit seulement dans les luminaires qui ont les caractéristiques de construction et les dimensions dans les photographies ou les dessins de la page suivante.
- 8. Do not make or alter any holes in a wiring enclosure or electrical components during the kit installation.**
Ne pas modifier ou faire de trous dans une boîte de câblage ou compartiment électrique lors de l'installation du kit.
- 9. Ensure that the existing luminaire is installed according to original manufacturer's specification.**
S'assurer que les luminaires sont installés selon les spécifications du fabricant.
- 10. Only the holes indicated in the photographs or drawings may be made or altered as a result of the kit installation. Do not leave any other holes open in a wiring enclosure or electrical component.**
Seulement les trous indiqués dans les photographies ou les dessins peuvent être faits ou altérés pour l'installation du kit LED. Ne laissez aucun trou ouvert dans le compartiment électrique.
- 11. Once the Upgrade Kit is installed, the luminaire can no longer accept HID lamps and shall not be converted back to an HID luminaire.**
Une fois le kit upgrade LED installé, l'appareil peut ne plus accepter les lampes HID et ne pourra pas être retransformé en luminaire HID.

SAVE THESE INSTRUCTIONS FOR FUTURE REFERENCE**HOUSING SIZES:**

NOTE: Ensure the sizes of the existing luminaire housings are approximately as follows:

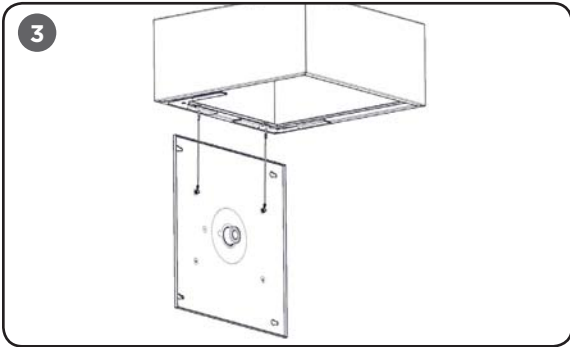
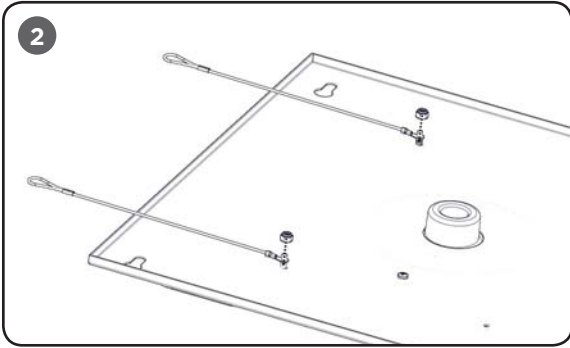
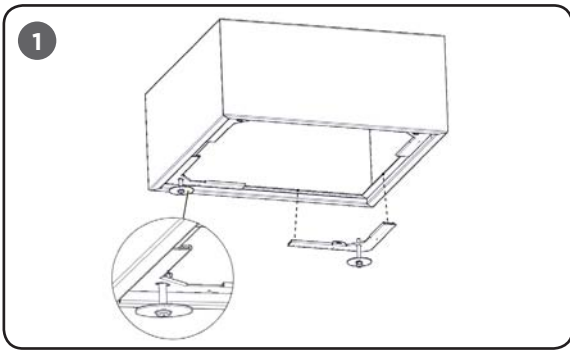
- ElSCO Merritt:** 19-3/4" square X 8-1/2" high
 - Whiteway Riviera:** T21-1/8" square X 10" high
 - LSI Masters/Dakota:** 23" square X 10" high
 - Rig-a-Lite:** 21-18" square X 8-1/8" high
 - Jet-Philips:** 22" square X 8-3/8" high
 - ElSCO Franciscan*:** 23-3/4" square X 7" high
- *This fixture must be surface mounted

UPGRADE KIT LIST OF COMPONENTS:

NOTE: This kit is used only with the standard CPY250 luminaire that is sold separate from the kit.

1. Upgrade assembly Panel
2. (4) - Corner mount brackets
3. (4) - Mounting screws
4. (8) - Self-drilling screws
5. (4) - Washers
6. (4) - Retainers
7. (4) - Fixture mount
8. (4) - Nuts

TO INSTALL:



NOTE: DO NOT lift luminaire by the power leads.

STEP 1:

Open and remove lens frame assembly. Remove door mounting hardware, lamp, reflector, ballast cover and socket assembly. Disconnect incoming power leads.

Note: Existing ballast and capacitor may be left in fixture if they do not interfere with the LED upgrade module and if the existing luminaire is not supported solely by the j-box. If removed, components should be recycled according to all local, state, and/or federal ordinances.

STEP 2:

Check the caulk between the Canopy and the existing luminaire housing. Add caulk as needed to ensure water tight installation.

STEP 3:

Slide corner brace brackets onto corners of housing flanges. Use a non-metallic mallet only when installing. Secure brackets in place with self-drilling screws (included) at holes in brackets as show in **Figure 1**. Thread supplied washer and retainer all the way to the screw head. Insert (4) Oval head mounting screws (included) into bracket panel nuts so that screw head is slightly below luminaire level.

STEP 4:

Attach CPY250 luminaire and the provided cables to the panel using the (4) supplied machine screws and nuts as shown in **Figure 2**. These cables will allow for hands-free wiring and support during installation.

STEP 5:

Attach (2) hooks on ends of cables to hook mounts on the corner brackets. **Figure 3**.

STEP 6:

Make wiring connections as shown in the **Electrical Connections** Section.

NOTE: Ground connection should include previous luminaire ground. Verify that the supply voltage is within the fixtures voltage rating.

STEP 7:

Rotate panel to horizontal position and push upward into the existing luminaire housing ensuring that no wires are pinched. Slide panel over the mounting screw heads using the key-slots in the panel. Once positioned, tighten the 4 mounting screws.

ELECTRICAL CONNECTIONS

STEP 1:

Using 90°C minimum rated wire connectors, make the following electrical connections:

- a. Connect supply ground conductor to fixture (green) ground wire and mounting plate (green) ground wire with wire connector.
- b. Connect supply voltage conductor to fixture black wire with wire connector
- c. Connect supply neutral conductor to fixture white wire with wire connector.
- d. If Dimming is an option; connect the violet dimming positive lead to the supply dimming positive lead.
- e. If Dimming is an option; connect the grey dimming negative lead to the supply dimming negative lead

