

INSTALLATION INSTRUCTIONS

IMPORTANT SAFEGUARDS

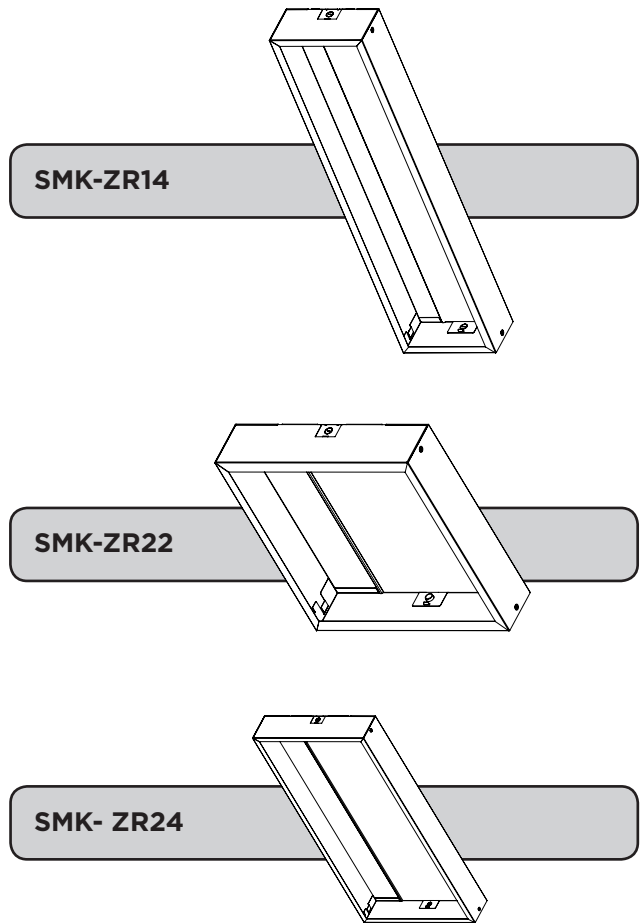
When using electrical equipment, basic safety precautions should always be followed including the following:

READ AND FOLLOW ALL SAFETY INSTRUCTIONS

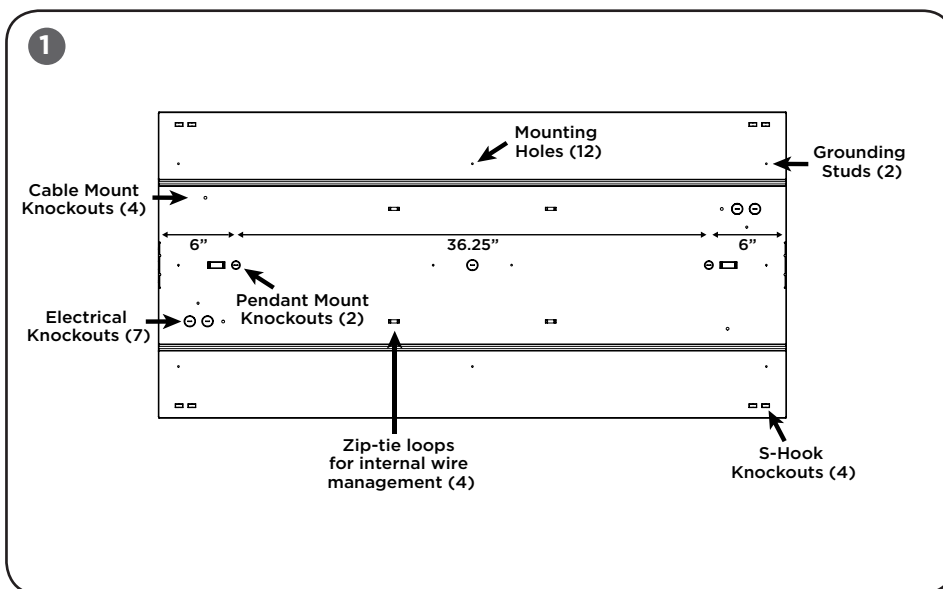
1. To avoid the possibility of electrical shock, turn off power supply before installation or servicing.
2. Product must be installed in accordance with NEC or your local electrical code. If you are not familiar with these codes and requirements, consult a qualified electrician.
3. Do not handle energized module with wet hands or when standing on wet or damp surfaces, or in water
4. Suitable for Damp Locations.
5. Access above ceiling required. Do not install insulation within 3" (76mm) of any part of the luminaire. Suitable for suspended ceilings.

SAVE THESE INSTRUCTIONS FOR FUTURE REFERENCE

- The Surface Mount Kit is designed for use with ZR Series Troffers for surface or suspended mounting.



TO INSTALL:



INSTALL BASE HOUSING ON TO SURFACE OR SUSPEND FROM CHAIN:

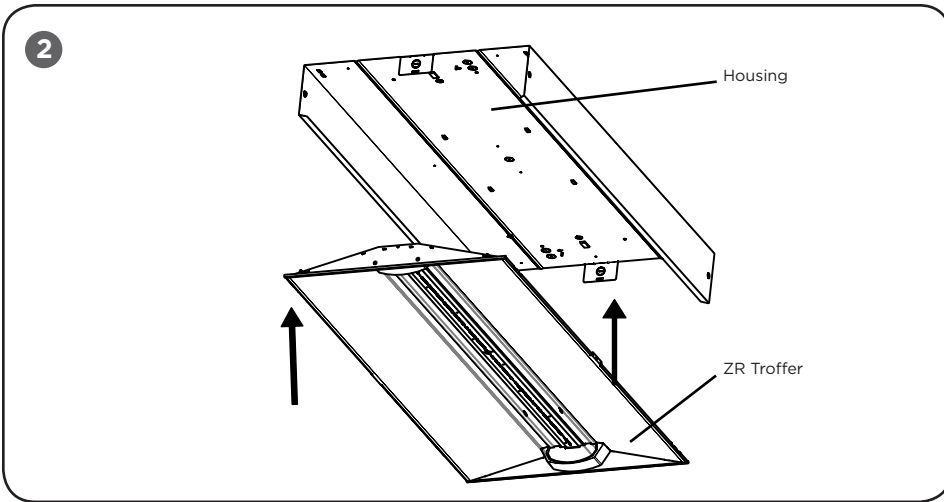
STEP 1:

See **Figure 1** for all mounting features and wiring access points.

NOTE: Distance between the two Pendant Mount Knockouts for SMK-ZR24 and SMK-ZR14 is 36.25", and 6" from each edge. The distance between the two Pendant Mount Knockouts for SMK-ZR22 is 15", and 5" from each edge.

STEP 2:

Attach ground wire lead to grounding stud of your choice using included ground nut.



INSTALL ZR SERIES TROFFER INTO BASE HOUSING:

STEP 1:

Place one edge of ZR Series Troffer on the inside edge of housing. See **Figure 2**.

STEP 2:

Pull housing side wall outward. Rotate troffer into housing. See **Figure 3**.

- Route all AC wires through knockouts and attach to ZR Series Troffer leads as indicated in the installation instructions included with the ZR Series Troffers.
- Dress wires using zip-ties (**not provided**) through loops where indicated above.

STEP 3:

Install ground wire on the SMK housing to the luminaire ground wire using the supplied (8-32) star nut. See **Figure 4**.

STEP 4:

Install an End Cap on each end to complete the enclosure and secure with (2) sheet metal screws each. See **Figure 5**.

