

INSTALLATION INSTRUCTIONS

IMPORTANT SAFEGUARDS

WARNING - Risk of Electric Shock. Disconnect power at fuse or circuit breaker before installing or servicing.

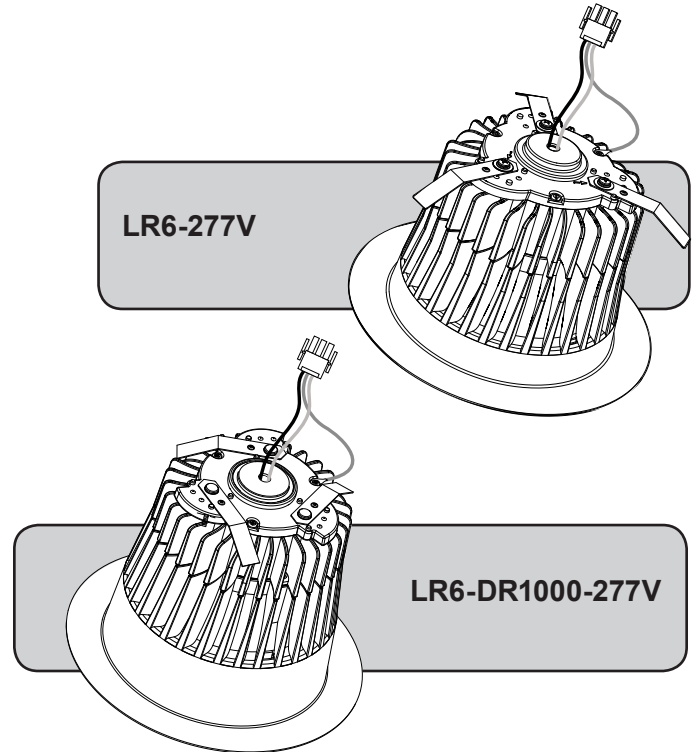
READ AND FOLLOW ALL SAFETY INSTRUCTIONS

1. Install this product only in the compatible housing listed below.
2. Do not make or alter any open holes in an enclosure of wiring or electrical components during installation.
3. Each lampholder shall be installed only in its intended manner and orientation.
4. To prevent wiring damage or abrasion, do not expose wiring to the edges of sheet metal or other sharp objects.

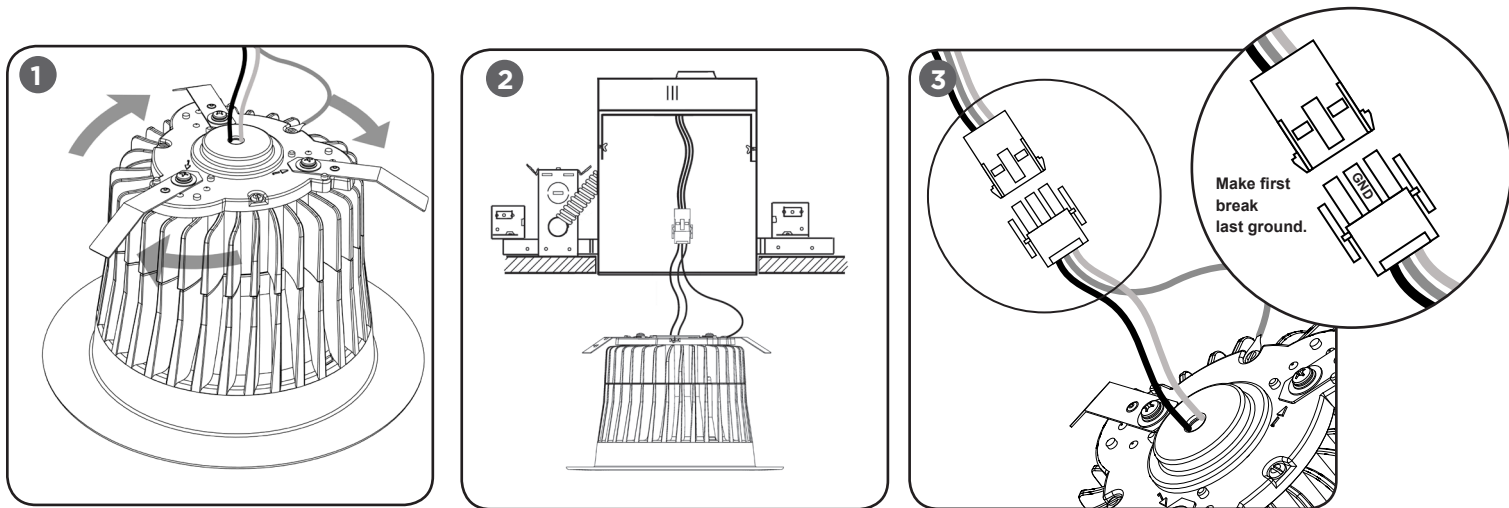
SAVE THESE INSTRUCTIONS FOR FUTURE REFERENCE

Recessed Housing Compatibility

- The LR6-277V is designed to install in Cree H6-277V Pan only.
- LR6-277V is for use with a H6 recessed pan assembly and must be used within an enclosed recessed can. See installation instructions for H6 for more information.



TO INSTALL:



STEP 1:

Remove LR6 Fixture from the packaging and rotate the “Flip Clips” clockwise until the pointed tip of the clip lines up with the arrow on the metal base. This position is the installation ready position. See **Figure 1**.

STEP 2:

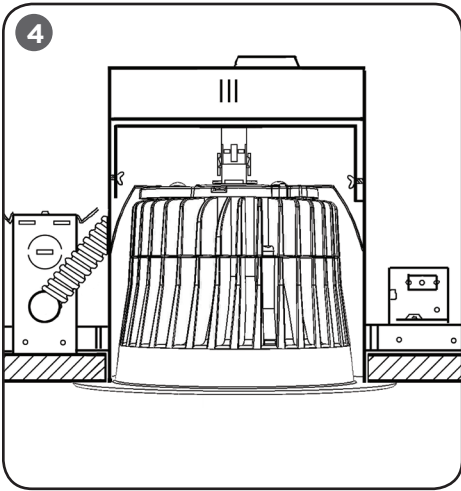
Make sure the power is turned off at the source to the recessed housing(s) that you are installing the fixture(s) in.

STEP 3:

Pull H6 connector down through opening in ceiling to prepare for connection. See **Figure 2**.

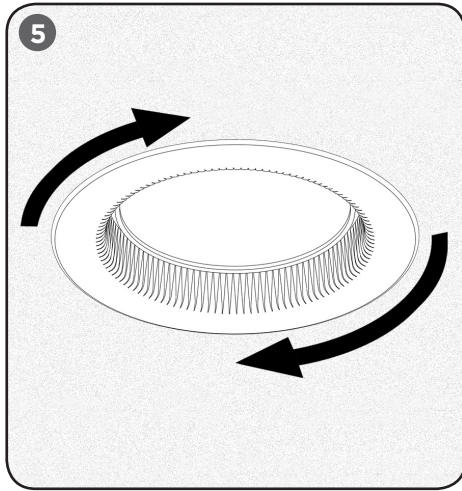
STEP 4:

277V Connector - Insert male connector pins into female until locked. Ground will connect through connector. See **Figure 3**.



STEP 5:

Slide attached LR6 with clips in ready position up into the recessed housing until trim ring is flush with ceiling. See **Figure 4**.



STEP 6:

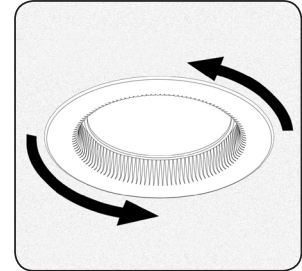
Rotate LR6 Fixture 1/4 turn clockwise to lock clips into position. Your LR6 fixture should now be securely installed into the ceiling. Turn power back on and enjoy. See **Figure 5**.

REMOVAL OF INSTALLED LR6

NOTE: Make sure power to fixture is disconnected before attempting to remove LR6 module from fixture.

STEP 1:

Rotate LR6 Fixture 1/4 turn counter-clockwise to unlock clips from recessed can.

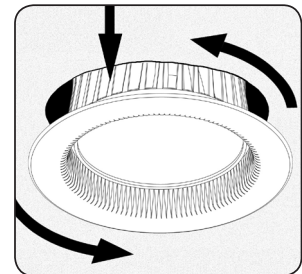


STEP 2:

Continue to turn fixture counter-clockwise as you pull downward on the LR6. This will disengage the clips allowing the LR6 to pull free.

STEP 3:

Detach LR6 from recessed housing socket and remove ground wire..



NOTE: This device is not intended for use with emergency exit fixtures or emergency exit lighting.



LIMITED CONSUMER PRODUCT WARRANTY FOR CREE® LR SERIES DOWNLIGHTS (including LE6™, LR4™ and LR6 Series)

Limited Warranty: Cree warrants to the original purchaser (the "Buyer") of the Cree® LR Series downlight purchased (the "Product"), that the Product will be free from material defects in workmanship and materials under normal use and service and conform to Cree's written specifications. This limited warranty may be transferred to subsequent purchasers of the Product, provided that such Product is resold in new condition and in its original packaging. This limited warranty extends for a period of ten (10) years from the date of original purchase of the Product (the "Warranty Period"). There is NO WARRANTY in cases of damage to the Product in transit or damage caused by your negligence; abuse; abnormal usage; misuse; accidents; damage due to environmental, corrosive or natural elements; improper power supply; failure to follow Cree's instructions or applicable electrical codes; improper installation, storage or maintenance; damage due to acts of God; fire; vandalism; civil disturbances; power surges; alteration; mishandling; and incorrectly or improperly performing maintenance or repair by someone other than Cree or its authorized service provider. Remedy: If the Product proves defective during the Warranty Period and the Product return procedures set forth below are followed, Cree will in its sole discretion, as its sole and exclusive obligation under this warranty, refund you the purchase price of the Product, repair the Product or replace the Product without charge, F.O.B. Cree's designated facility. Proof of original purchase date (e.g., sales receipt or original invoice) is required for this limited warranty to apply. CREE SHALL NOT BE LIABLE TO BUYER, OR TO ANYONE CLAIMING UNDER BUYER, FOR ANY OTHER OBLIGATIONS OR LIABILITIES, INCLUDING, BUT NOT LIMITED TO, OBLIGATIONS OR LIABILITIES ARISING OUT OF BREACH OF CONTRACT OR WARRANTY, NEGLIGENCE OR OTHER TORT OR ANY THEORY OF STRICT LIABILITY, WITH RESPECT TO THE PRODUCTS OR CREE'S ACTS OR OMISSIONS OR OTHERWISE. This limited warranty does not cover the cost of field labor or expenses related to the repair or replacement of the Product. Cree reserves the right to utilize new, reconditioned, refurbished, repaired or remanufactured products or parts in the warranty repair or replacement process. Such products and parts will be comparable in function and performance to an original product or part, as determined by Cree in its sole discretion, and warranted for the remainder of the original warranty period. This limited warranty applies only to a Product purchased within the United States (including the lower 48 states, the District of Columbia, Hawaii, Alaska, Puerto Rico and the U.S. Virgin Islands, but excluding APO/FPO addresses that are outside of those named jurisdictions) (collectively, the "Territory"). Replacement and repaired Product or parts will only be shipped to addresses within the Territory, and refunds will only be credited to accounts located within the Territory. Making a Warranty Claim: Notice of any warranty claim should be sent to Cree at the following address: 9201 Washington Avenue, Racine, WI 53406 or you may call Cree at (800) 236-6800 to receive a RGA# and instructions for return of the Product, freight prepaid. Further Limitations: TO THE EXTENT PERMITTED BY LAW, THE LIMITED WARRANTY AND REMEDIES SET FORTH ABOVE ARE EXCLUSIVE AND IN LIEU OF ALL OTHER WARRANTIES AND REMEDIES (INCLUDING WITHOUT LIMITATION, ANY IMPLIED WARRANTIES OF MERCHANTABILITY OR FITNESS FOR A PARTICULAR PURPOSE). IF WE CANNOT LAWFULLY DISCLAIM STATUTORY OR IMPLIED WARRANTIES, THEN TO THE EXTENT PERMITTED BY LAW, ALL SUCH WARRANTIES WILL BE LIMITED IN DURATION TO THE DURATION OF THIS EXPRESS LIMITED WARRANTY AND TO REFUND, REPAIR OR REPLACEMENT SERVICE AS DETERMINED BY CREE IN ITS SOLE DISCRETION. Some states do not allow limitations on how long an implied warranty lasts, so the above limitation may not apply to you. IN NO EVENT SHALL CREE BE LIABLE FOR INCIDENTAL, COMPENSATORY, CONSEQUENTIAL, INDIRECT, SPECIAL OR OTHER DAMAGES. CREE'S AGGREGATE LIABILITY WITH RESPECT TO A DEFECTIVE PRODUCT SHALL BE LIMITED TO THE MONIES PAID TO CREE FOR THAT DEFECTIVE PRODUCT. Some states do not allow the exclusion or limitation of incidental or consequential damages, so the above limitation or exclusion may not apply to you. This limited warranty gives Buyer specific legal rights, and Buyer may also have other rights which vary from state to state. Effective Date: January 1, 2013