



CR Series

Including CR14, CR24, CR22 Architectural Troffers, CR-LE Lighting Engines
1x4, 2x4, 2x2 Luminaires, 1x4, 1x2 Light Engines with Lutron EcoSystem® Controls

INSTALLATION INSTRUCTIONS

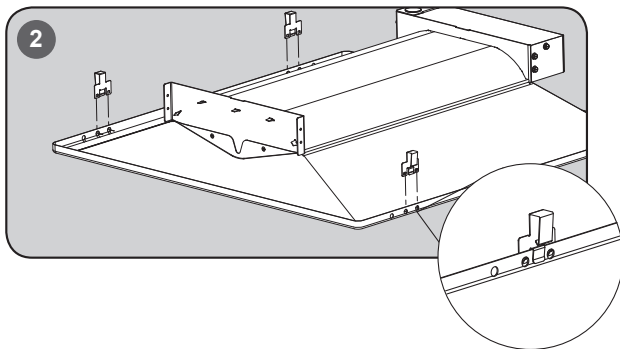
- The CR Series of recessed troffers is for non-insulated ceiling applications using T-Bar ceiling grid, drywall grid adaptors, and SMK surface mount accessory kits.
- The CR Series Light Engines are for applications using S-Hook suspended mounting and SMK-LE-L or SMK-LE-S surface mount accessory kits (not included).
- Designed for use in 120-277V 50-60 Hertz protected circuit (fuse box, circuit breaker). Supply wire sized as per NEC or governing code(s), 90C rated.

IMPORTANT SAFETY INFORMATION Read all instructions before installation

(1) Before installing this fixture or doing any maintenance, make sure to turn off the power supply at the circuit breaker or fuse box. (2) Do not handle energized module with wet hands or when standing on wet or damp surfaces. (3) Install in accordance with National & Local Electric Code(s).

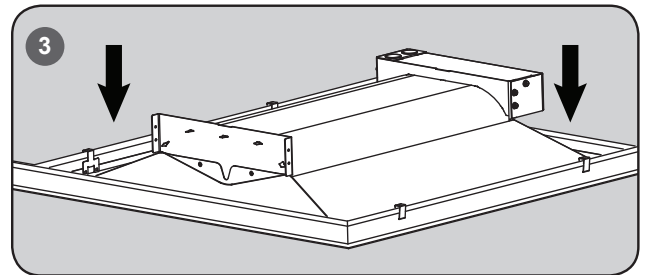
WARNING - Risk of Electric Shock. Suitable for damp locations. Access above ceiling required. Do not install insulation within 3"(76mm) of any part of the luminaire. Suitable for suspended ceilings.

TO INSTALL CR SERIES ARCHITECTURAL LED TROFFERS:



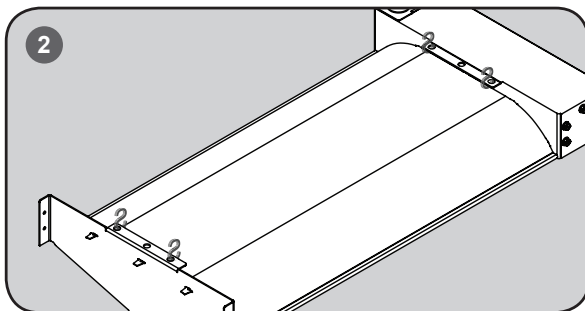
STEP 1:
Unpack the CR troffer from its shipping container.

STEP 2:
Install the (4) T-Bar clips included with the luminaire (located in pre-pack fastened to luminaire J-Box).



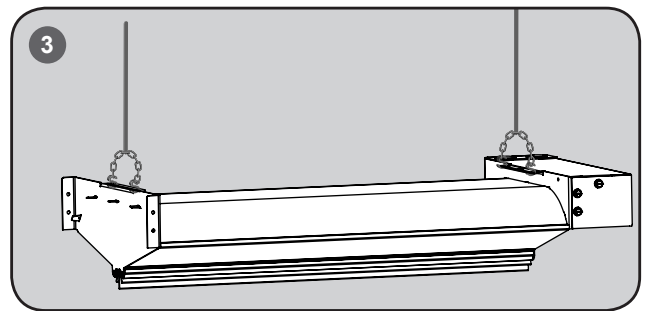
STEP 3:
Place the CR troffer into the T-Bar Ceiling panel. Ensure T-Bar clips are attached to the T-Bar.

TO INSTALL CR SERIES LED LIGHT ENGINES:



STEP 1:
Unpack the CR light engine from its shipping container.

STEP 2:
Install (4) S-Hooks (**not included**) into the hanging tabs.

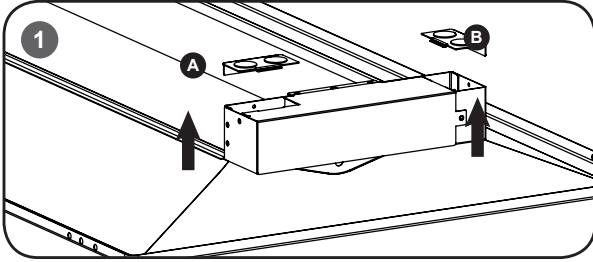


STEP 3:
Tie jack chains (**not included**) with the S-hooks on each end of the light engine and secure the jack chains with pendants/hanging chains.

STEP 4:
Adjust the jack chains location to evenly balance fixture.

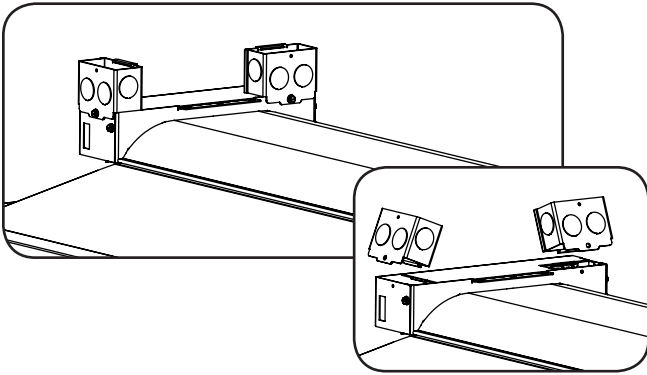
NOTE: All additional objects need to be placed in the center of CR-LE

WIRING INSTRUCTIONS:



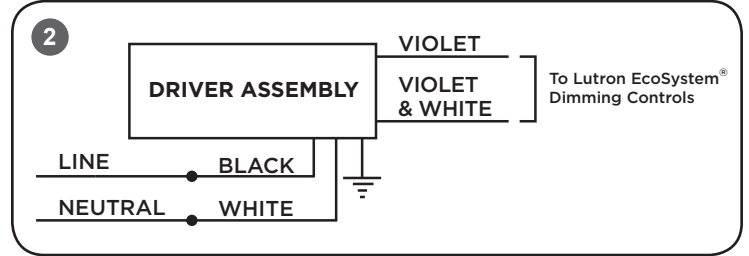
STEP 1:

Remove access plate to access control wiring **(A)** & power wiring **(B)**. Using a screw driver blade, remove appropriate knockout from access plates to route input conduit.



EXPANDED J-BOX ASSEMBLY OPTION:

In the case of through wiring with conductors larger than 14 gauge, it is recommended to utilize the EJBCR-5PK accessory to expand the junction box volume, thereby allowing for additional space for wiring and wiring fasteners. EJBCR-5PK is supplied separately and attaches to existing J-Box assembly. It is sold in minimum quantities of five.



STEP 2:

Connect power conduit and dimming conduit to access plates (and expanded J-Box if needed). Connect wires as shown in wiring diagram. Push all wires back into the boxes and reinstall the access plates.

GREEN - Ground

WHITE - Neutral

BLACK - Line

VIOLET - Lutron EcoSystem® Dimming Control

VIOLET & WHITE - Lutron EcoSystem® Dimming Control

