

#### INSTALLATION INSTRUCTIONS

#### IMPORTANT SAFEGUARDS

When using electrical equipment, basic safety precautions should always be followed including the following:

#### READ AND FOLLOW ALL SAFETY INSTRUCTIONS

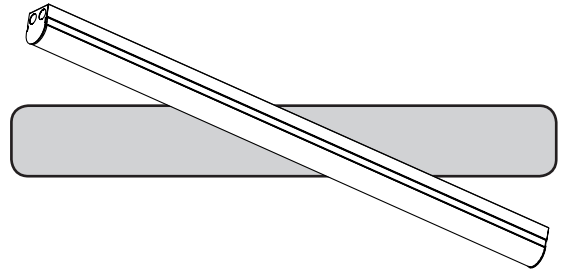
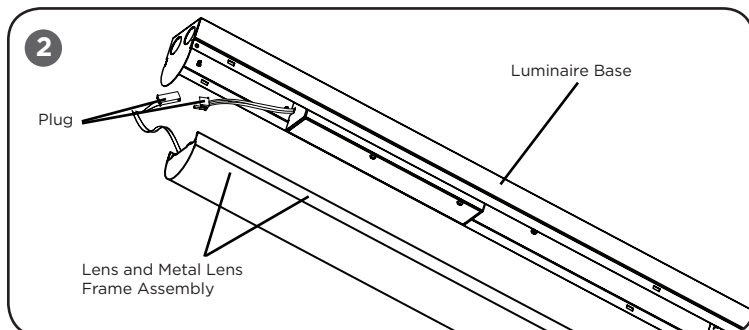
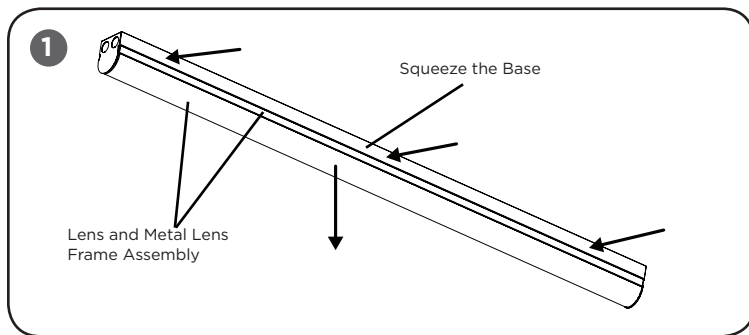
- DANGER**- Risk of shock- Disconnect power before installation.
- Product must be installed in accordance with NEC or your local electrical code. If you are not familiar with these codes and requirements, consult a qualified electrician.

#### SAVE THESE INSTRUCTIONS FOR FUTURE REFERENCE

#### NOTES:

- Available luminaire lengths are 4' and 8'.
- Suitable for Damp Locations
- The LS Series is designed for multiple methods of installation, including: surface mount, T-bar ceiling grid attachment, and suspended by cable, chain or pendant. Mounting accessories are not included.
- Designed for use in 120-277V 60Hz protected circuit (fuse box, circuit breaker). Supply wire size as per NEC or governing code(s), 90C rated.

#### TO INSTALL:



#### Cree Accessories (ordered separately):

##### SUSPENDED MOUNT

- AC5-12/3-48-Q14B-JB**- 48" Power Feed, #12/3 SJT Cord with Cable Support for J-Box
- AC5-18/5-48-Q14B-JB**- 48" Power Feed, #18/5 SJT Cord with Cable Support for J-Box
- AC5-18/2-48-Q14B-JB**- 48" Power Feed, #18/2 SJT Cord with Cable Support for J-Box
- AC5-48-Q14B-TB**- 48" Cable Support for T-bar mount.

#### LUMINAIRE INSTALLATION

##### STEP 1:

Remove the lens and metal lens frame assembly from the housing by squeezing designated areas on the sides of the base (See **Figure 1, 2 and below**):

**NOTE:** The lens and metal lens frame is a single assembly and does not come apart. **DO NOT** attempt to remove the lens from the metal lens frame.

- LS4:** Press in the center and on each end (22" away from the center) of the base. Total of 3 designated areas to press.
- LS8:** Press in the center and every 23" away from the center, two per each end. Total of 5 designated areas to press.

##### STEP 2:

**NOTE:** For dimension of mounting holes see last page **Figure 6 and 7**.

Mount the luminaire base to mounting surface using one of the following methods:

##### A - Surface Mounting

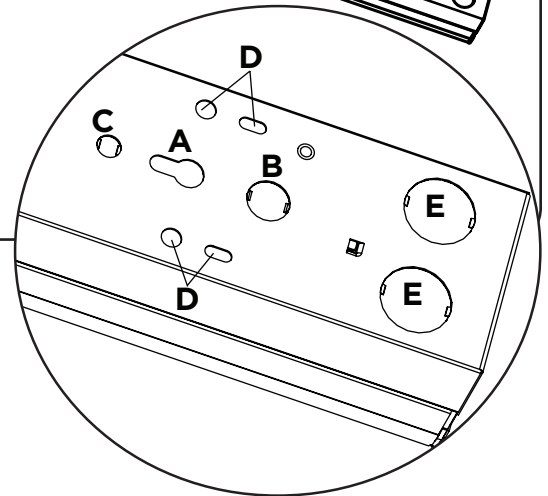
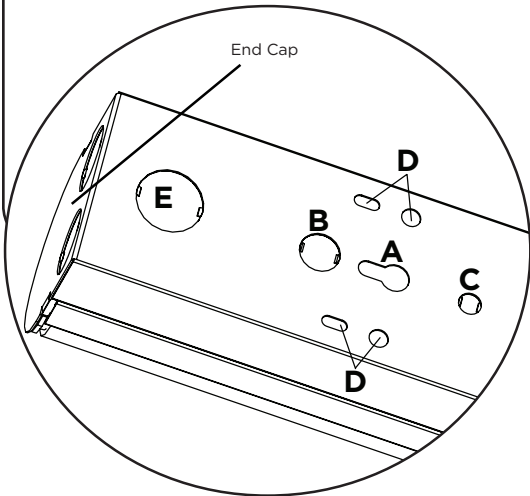
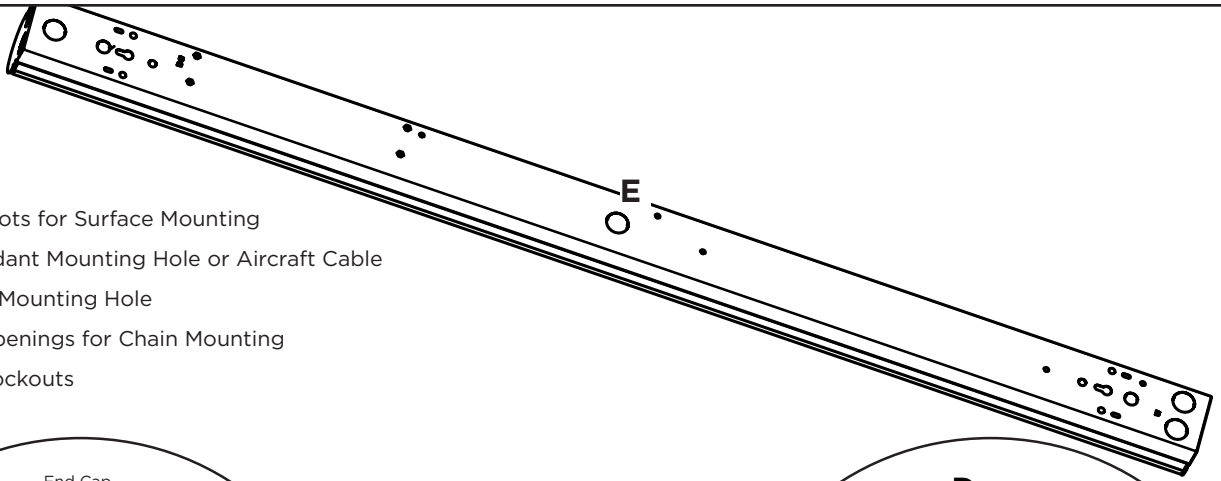
Secure luminaire base to mounting surface by inserting (2) customer supplied #8 anchor screws, toggle bolts or suitable fasteners, depending on structural conditions, into key hole slots on the top side of the luminaire base. See **Figure 3**.

##### B - Pendant Mounting

Attach luminaire base to (2) customer supplied 1/2" diameter pendant using the pendant holes on the top side of the luminaire base shown in **Figure 3**.

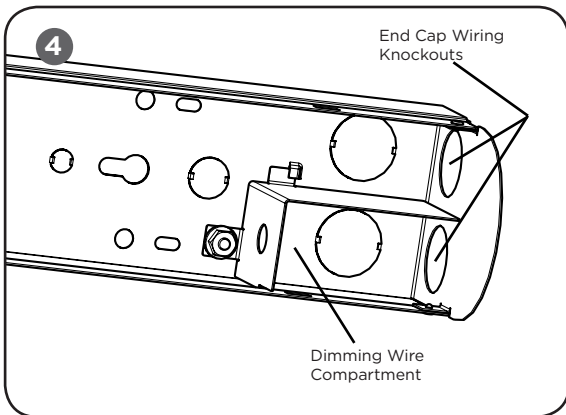
3

- A - Keyhole Slots for Surface Mounting
- B - (1/2") Pendant Mounting Hole or Aircraft Cable
- C - T-Bar Clip Mounting Hole
- D - V-Hook Openings for Chain Mounting
- E - Wiring Knockouts



4

End Cap Wiring Knockouts



Dimming Wire Compartment

**B - Aircraft Cable Mounting**

Attach (2) customer supplied aircraft cable to the designated opening on the top side of the luminaire base as shown in **Figure 3**.

**C - T-Bar Ceiling Grid Mounting With T-Bar Clips**

Attach (2) customer supplied T-Bar clips to the designated opening on the luminaire as shown in **Figure 3**. Bring luminaire into T-Bar ceiling grid and secure luminaire to grid. **NOTE:** 8' luminaires will have (4) designated openings for customer supplied T-Bar clips.

**D - Chain Mounting**

Attach (2) customer supplied V-hooks to each end of the luminaire base. Attach customer supplied chain to the V-hooks and mounting surface. See **Figure 3**.

**STEP 3:**

For single luminaire installation proceed to the next Step. For multiple luminaire installation, insert customer supplied chase nipple and lock nuts into the

knockout on the end cap located on each end of the luminaire. See **Figure 5**.

**STEP 4:**

Bring customer supply wires into luminaire through the wiring knockouts on the backside (E) or on the end caps and make electrical connections per "ELECTRICAL CONNECTION" section. See **Figure 3**.

**NOTE:** When connecting multiple luminaires together bring leads from adjoining luminaire into first luminaire through the end cap wiring knockouts and make wiring connections per electrical code. See **Figure 4**.

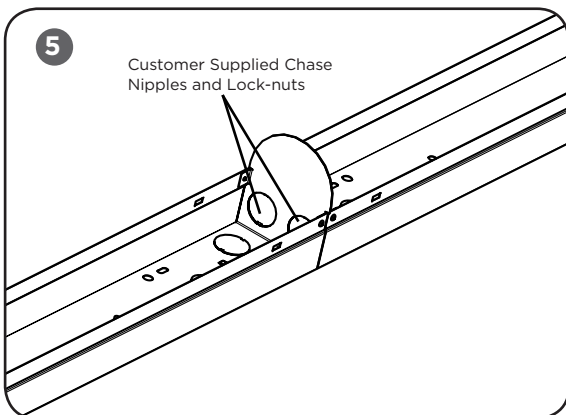
**NOTE:** If dimming is an option make electrical connection for dimming in the dimming compartment. See **Figure 4**.

**STEP 5:**

Reattach lens and metal lens frame assembly to luminaire base by connecting the plug together shown in **Figure 2** and carefully push and metal lens frame assembly up into the base until it snaps in place.

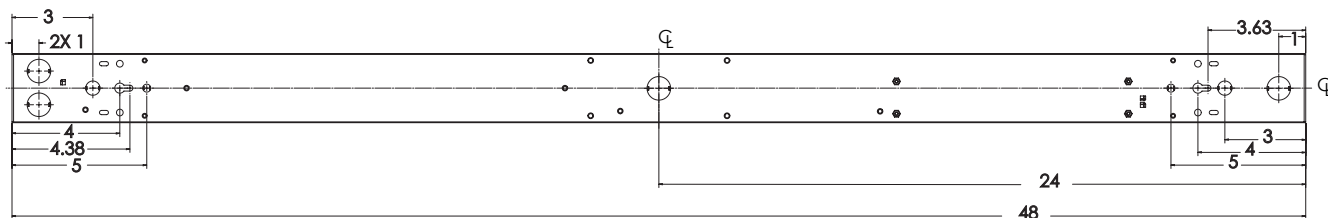
5

Customer Supplied Chase Nipples and Lock-nuts



6

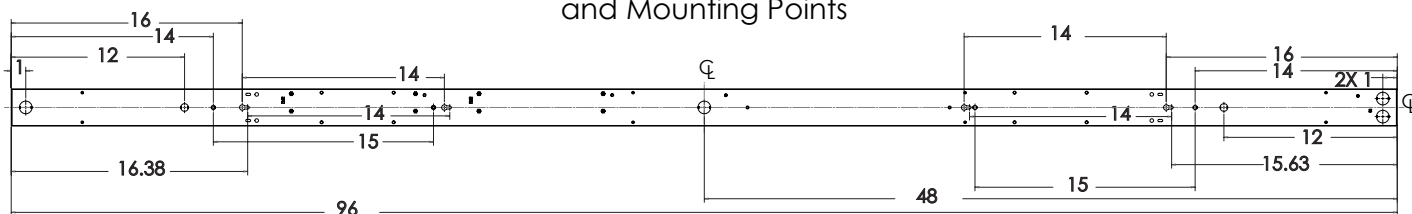
### LS4 Dimensions of Knockouts and Mounting Points



UNIT: Inches

7

### LS8 Dimensions of Knockouts and Mounting Points



UNIT: Inches

## ELECTRICAL CONNECTIONS

### STEP 1:

Make the following Electrical Connections:

**For 120-277V applications** make the following Electrical Connections:

- Connect the black luminaire lead to the line supply lead
- Connect the white luminaire lead to the neutral supply lead
- Connect the green or green/yellow ground lead to the supply ground lead
- If Dimming is an option; connect the violet dimming positive lead to the supply dimming positive lead. If dimming is not being used, ensure to cap off the violet lead.
- If Dimming is an option; connect the grey dimming negative lead to the supply dimming negative lead. If dimming is not being used, ensure to cap off the grey lead.

