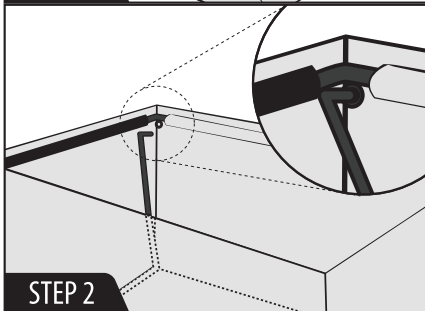
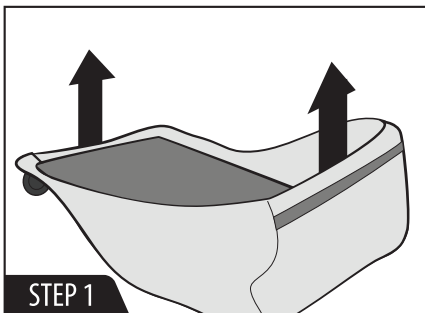


MODELS TK-10291 & TK-10291RS



MULTI-USE INSTRUCTIONS

DO NOT RETURN TO VENDOR.



Step 1. Fold open the bag from the center and lay it flat on the ground.

Step 2. On each of the short ends of the bag you will find a "U" shaped support bar with the hooks on each end. Raise the bar up and slide the hook into the eyelet (found on each top corner of the bag) on the top support frame. You may need to slightly bend the bar to line it up. Repeat this step on all four corners. The last one may be extra tight. This is to ensure the structure's strength. After securing these hooks on the "U" shape support bars, check the Velcro straps securing the bottom of each of these frames and make sure they're still secured tightly to the frame.

CAUTION: Always be careful when moving large trees and decor. You may need two people to move the bag once the tree is stored as the contents could be heavy. Handle with care. If you should break any of the support rods, please dispose of carefully and contact us for a replacement part.