

### IMPORTANT SAFEGUARDS

When using electrical equipment, basic safety precautions should always be followed including the following:

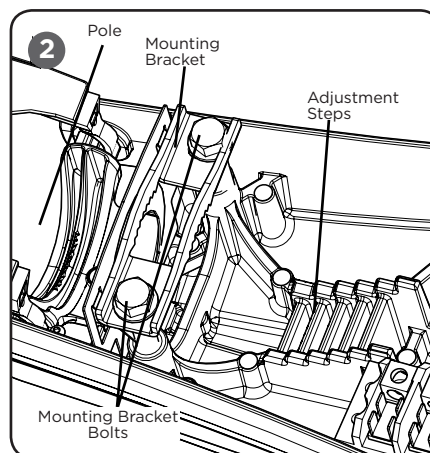
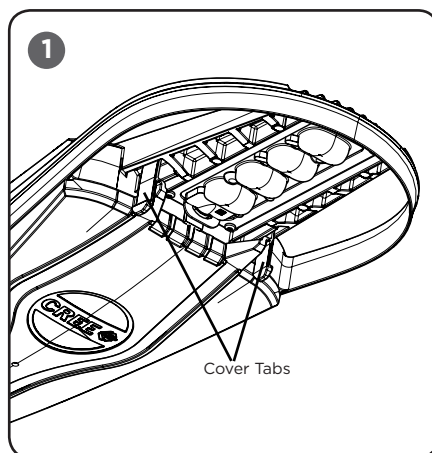
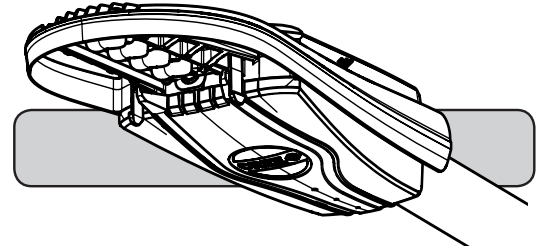
### READ AND FOLLOW ALL SAFETY INSTRUCTIONS

- DANGER**- Risk of shock- Disconnect power before installation.  
*DANGER – Risque de choc – Couper l'alimentation avant l'installation.*
- This luminaire must be installed in accordance with the NEC or your local electrical code. If you are not familiar with these codes and requirements, consult a qualified electrician.  
*Ce produit doit être installé conformément à NEC ou votre code électrique local. Si vous n'êtes pas familier avec ces codes et ces exigences, veuillez contacter un électricien qualifié.*
- If NEMA photo control is installed refer to NEMA Receptacle section for instructions.
- If mounting bolts are completely removed in the field they should be hand threaded (prior to use of power tools) to ensure proper engagement of the thread when re-installing. Failure to pre-start threads may result in cross-threading or stripping of the bolts during reinstallation.

### SAVE THESE INSTRUCTIONS FOR FUTURE REFERENCE

### TO INSTALL:

### INSTALLATION INSTRUCTIONS



### LUMINAIRE INSTALLATION

#### STEP 1:

**DO NOT** remove splashguard from fixture. If mounting fixture to 1.25 IP pipe (1.66 O.D.), there is no need to modify the splashguard. If mounting fixture onto 2.0 IP pipe (2.38 O.D.), remove the knockout of the splashguard thru the rear opening of the fixture while the fixture is closed.

#### STEP 2:

To open cover, press tabs in on both sides of the cover and carefully let the cover swing down. Splashguard may dislodge from fixture, but should be repositioned once ready to mount. See **Figure 1**.

#### STEP 3:

Slide fixture on to pole through opening on the rear of housing and through splashguard. See **Figure 2**.

#### STEP 4:

Adjust leveling of fixture from side to side. To level from front to back, slide pole to different Adjustment Steps in upper housing. Each step changes the angle in 2.5° degree increments.

#### STEP 5:

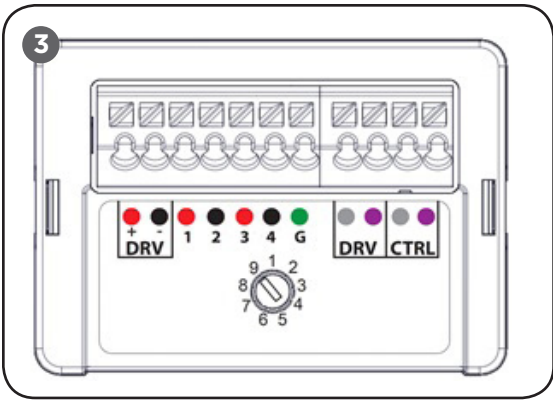
Once desired position is achieved, tighten mounting bolts to the appropriate torque values specified in TORQUE VALUES table on the back of the sheet. See **Figure 2** (use 9/16" socket wrench).

#### STEP 6:

**IMPORTANT - DO NOT** exceed these torque levels on the mount bolts. Exceeding recommended torque value resulting in excessive deformation of mounting bracket will cause stripping of mount hardware which could lead to an unsafe mounting condition.

### TORQUE VALUES

Pipe Size	Pipe Position	Bolt Torque Required (in-lbs)	Bolt Torque Required (N-m)
1.66 in O.D.	+5.0 degrees tilt	275	31
	+2.5 degrees tilt	275	31
	0 degrees (no tilt)	275	31
	-2.5 degrees tilt	275	31
	-5.0 degrees tilt	275	31
2.38 in O.D.	+5.0 degrees tilt	225	25
	+2.5 degrees tilt	225	25
	0 degrees (no tilt)	225	25
	-2.5 degrees tilt	225	25
	-5.0 degrees tilt	225	25



**STEP 7:**

Reference **Electrical Connections** section for completing electrical connections.

**NEMA RECEPTACLE (OPTIONAL)**

**STEP 1:**

**DO NOT** loosen/tighten flat head screws for the NEMA receptacle.

**STEP 2:**

Rotational adjustment of the photo control is tool-less.

**STEP 3:**

Engage/install photo control into NEMA receptacle on top of the fixture.

**STEP 4:**

Firmly rotate photo-control with its photo-eye approximately in the 'N' north direction. Some photo-controls operate best somewhere between NW and NE.

**FIELD ADJUSTABLE DIMMING (OPTIONAL)**

**NOTE:** This luminaire may be provided with field adjustable dimming. Luminaires leave the factory adjusted to the maximum setting specified when ordered. Verify which dimming module, see **Figure 3** is in the luminaire and visit [www.cree.com/Lighting/Document-Library](http://www.cree.com/Lighting/Document-Library) for product dimming spec sheet.

**STEP 1:**

The Dimming module is located inside the luminaire. Open the cover by To open cover, press tabs in on both sides of the cover and carefully let the cover swing down.

**STEP 2:**

Establish the desired input power multiplier by referring to the product dimming spec sheet and turn the switch to the correlating position

**STEP 3:**

Adjust the Dimming Module, see **Figure 3**, to the selected position and close the cover ensuring no wires are pinched.

**NOTE:** The Utility Option will be limited to the highest setting ordered.

**ELECTRICAL CONNECTIONS**

**PHASE TO NEUTRAL WIRING**

**STEP 1:**

Make the following Electrical Connections to the terminal block:

- a. Connect the black fixture lead to the voltage supply position of the terminal block or Hot 1 (for 208/240V wiring).
- b. Connect the white fixture lead to the neutral supply position of the terminal block or Hot 2 (for 208/240V wiring).
- c. Connect the green or green/yellow ground lead to the green wire position of the terminal block.
- d. If Dimming is an option; connect the violet dimming positive lead to the supply dimming positive lead.
- e. If Dimming is an option; connect the grey dimming negative lead to the supply dimming negative lead

**STEP 2:**

Push excess supply wires into pole.

**STEP 3:**

Close cover, making sure that no wires are pinched and latches are fully engaged.

