



# PL-T Triple 4-Pin Base

PL-T ALTO 32W/835 /4P A

Philips Linear Compact Fluorescent Lamps offer designers, specifiers and end-users new levels of efficiencies and versatility in sizes, configurations and application possibilities. With so many elegant fixtures available to complement their small size, high light output and advanced technology, Philips Energy Advantage lamps are fast becoming the preferred choice when maximum efficiency and sleek design solutions are required.

## Product data

### • General Characteristics

Base	GX24q-3
Base Information	4P
Life to 50% fail	10000 hr
Nonpreh EL,3h	
LSF HF Preheat	99 %
2000h Rated,3h	
LSF HF Preheat	98 %
4000h Rated,3h	
LSF HF Preheat	97 %
6000h Rated,3h	
LSF HF Preheat	90 %
8000h Rated,3h	
LSF HF Preheat	60 %
12000h Rated,3h	

### • Light Technical Characteristics

Color Code	835 [CCT of 3500K]
Color Rendering Index	82 Ra8
Color Designation	White
Color Temperature	3500 K
Luminous Flux EL	2250 Lm
25°C, Rated	
Luminous Flux EL	2250 Lm
25°C, Nominal	
Lum Efficacy Rated	68.2 Lm/W
HF 25°C	
LLMF HF 2000h	92 %
Rated	
LLMF HF 4000h	88 %
Rated	
LLMF HF 6000h	85 %
Rated	
LLMF HF 8000h	84 %
Rated	

LLMF HF 12000h	81 %
Rated	
Design Temperature	28 C
Chromaticity Coordinate X	412 -
Chromaticity Coordinate Y	402 -

### • Electrical Characteristics

Watts	32 W
Lamp Wattage EL	33.0 W
25°C, Rated	
Lamp Wattage EL	33 W
25°C, Nominal	
Lamp Voltage EL	106 V
25°C	
Lamp Current EL	0.320 A
25°C	
Dimmable	Yes

### • Environmental Characteristics

Energy Efficiency Label (EEL)	B
Mercury (Hg) Content	1.4 mg

### • Measuring Conditions

Calibration Current	0.320 A
HF Generator Rated Voltage	200 V
Resistor	315 ohm

**PHILIPS**

# PL-T Triple 4-Pin Base

## Product Dimensions

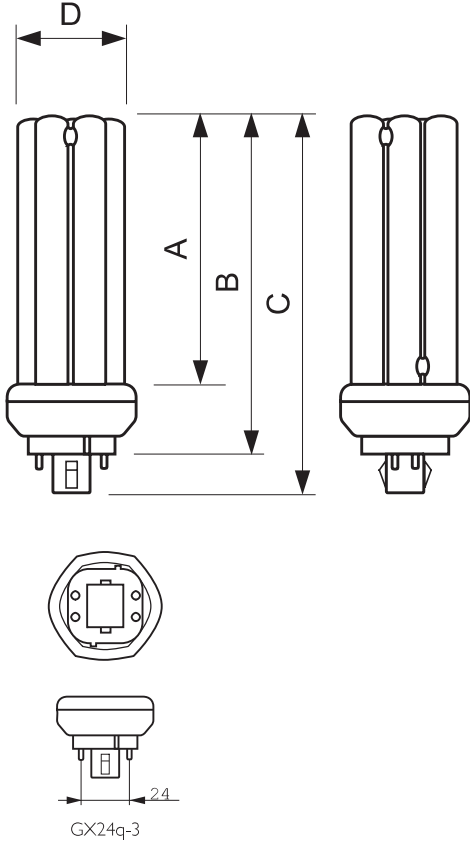
Base Face to Base Face A	98.7 (max) mm
Insertion Length B	123.0 (max) mm
Overall Length C	138.7 (max) mm
Diameter D	41 (max) mm

## Product Data

Product number	458307
----------------	--------

Full product name	PL-T ALTO 32W/835 /4P A
Short product name	PL-T 32W/835/A/4P/ALTO
Pieces per Sku	1
eop_pck_cfg	10
Skus/Case	10
Bar code on pack	46677268336
Bar code on case	50046677458305
Logistics code(s)	927911083550
tpd_ilcos_cd	FSM-32/35/1B-E-GX24q=3
eop_net_weight_pp	70.000 gr

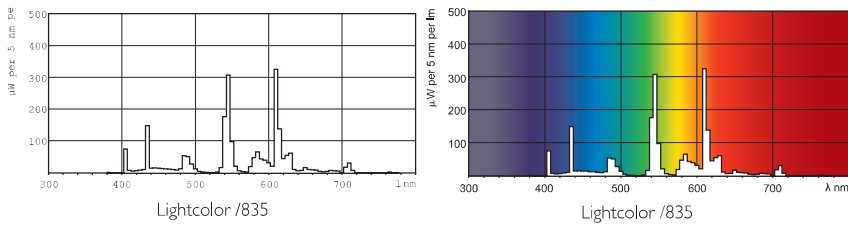
## Dimensional drawing



## PL-T ALTO 32W/835 /4P A

Product	A (Max)	B (Max)	C (Max)	D (Max)
PL-T ALTO 32W/835/4P A	98.7	123.0	138.7	41

## Photometric data





© 2015 Koninklijke Philips N.V. (Royal Philips)  
All rights reserved.

Specifications are subject to change without notice. Trademarks are the property of  
Koninklijke Philips N.V. (Royal Philips) or their respective owners.

2015, August 29  
data subject to change