

## FEATURES & SPECIFICATIONS

**INTENDED USE** — Ideal one-for-one replacement of conventional lighting systems such as HID and fluorescent. Applications include manufacturing, warehousing and other large indoor spaces with mounting heights ranging from 10' – 40'. Luminaire shall be suspended a minimum 24" from ceiling. Surface mounting is not permitted. **Certain airborne contaminants can diminish integrity of acrylic.** [Click here for Acrylic Environmental Compatibility table for suitable uses.](#)

**CONSTRUCTION** — Lightweight aluminum heat sink designed to perform at warm ambient temperatures. Due to precision thermal engineering for maximum naturally convective cooling this fixture provides lumen drop that is less than fluorescent. Fabricated steel channel provides maximum rigidity.

**OPTICS** — Medium distribution to meet both horizontal and vertical light level requirements. Reflectors are precision formed and painted a high reflectance white. Semi-diffuse lens is standard to provide glare control and LED protection.

**ELECTRICAL** — 70% lumen maintenance at 97,000 hours; predicted life of more than 100,000 hours. Thermally protected driver standard with 0-10V dimming.

Wireless networking: XPoint™ Wireless technology creates a mesh network to ensure communication between fixtures, sensors and wall stations facility-wide. This option provides superior lighting management capabilities including granular control, configuration and custom grouping for increased energy savings.

**INSTALLATION** — Suitable for suspension by chain, cable, surface-mounting bracket, hook monopoint or single (pendant) monopoint. Surface mounting not recommended without optional surface mounting bracket. To maintain high ambient lighting, fixture should be mounted at a minimum plenum height of 18".

**LISTINGS** — CSA certified to US and Canadian safety standards. Damp location listed. Ambient operating temperatures vary please refer to chart on page 3.

DesignLights Consortium™ (DLC) qualified product. Not all versions of this product may be DLC qualified. Please check the DLC Qualified Products List at [www.designlights.org](http://www.designlights.org) to confirm which versions are qualified.

**WARRANTY** — 5-year limited warranty. Complete warranty terms located at [www.acuitybrands.com/CustomerResources/Terms\\_and\\_conditions.aspx](http://www.acuitybrands.com/CustomerResources/Terms_and_conditions.aspx)

**Note:** Actual performance may differ as a result of end-user environment and application. All values are design or typical values, measured under laboratory conditions at 25 °C. Specifications subject to change without notice.

Number
Notes
Type

LED High Bay

# IBH



9,000 through 30,000 Lumens

Patent Pending



### ORDERING INFORMATION

Lead times will vary depending on options selected. Consult with your sales representative.

**Example:** IBH 18000LM SD080 MD MVOLT GZ10 40K 70CRI WH

IBH	Lumens		Lens		Distribution		Voltage		GZ10		Color temperature		Color rendering index	
Series									Driver					
IBH	9000LM	9,000 lumens	SD080	Semi-diffuse acrylic	ND	Narrow	MVOLT	120-277V	GZ10	0-10V dimming	40K	4000 K	70CRI	70 CRI
	12000LM	12,000 lumens	L/LENS	Less lens <sup>1</sup>	MD	Medium	HVOLT	347V-480V			50K	5000 K	80CRI	80 CRI <sup>2</sup>
	15000LM	15,000 lumens					120	120V						
	18000LM	18,000 lumens					277	277V						
	24000LM	24,000 lumens												
	30000LM	30,000 lumens												

Options		Finish		
GLR	Internal fast-blow fuse <sup>3,4</sup>	<b>Motion sensors:</b> LCOZU Aisle motion sensor, pre-wired <sup>3,7</sup> LCHOSZU Aisle motion sensor, pre-wired; programmable dimming <sup>3,7</sup> LCPZU Aisle motion sensor with photocell; pre-wired <sup>3,7</sup> LACOSZU Aisle motion sensor, dimming and switching photocell, pre-wired <sup>3,7</sup> LAOZU 360° motion sensor, pre-wired <sup>3,7</sup> LAHOSZU 360° motion sensor, pre-wired; programmable dimming <sup>3,7</sup> LAPZU 360° motion sensor with photocell, pre-wired <sup>3,7</sup> MS16XADL DSCXADL 360° Xpoint wireless motion sensor with photocell <sup>3,13</sup> LAMOSZU 360 motion sensor, dimming and switching photocell, pre-wired (T24 compliant) <sup>3,7</sup> LCMOSZU Aisle motion sensor, dimming and switching photocell, pre-wired (T24 compliant) <sup>3,7</sup> nPP16D nLight® switching/dimming module <sup>3,8</sup> nMSI nLight, aisle motion sensor, pre-wired <sup>3,9</sup> nMSI360 nLight, 360° motion sensor, pre-wired <sup>3,10</sup> nMSID nLight, aisle motion sensor, pre-wired, dimming <sup>3,11</sup> nMSI360D nLight, 360° motion sensor, pre-wired, dimming <sup>3,12</sup> XPW Factory installed XPoint™ wireless 0-10V dimming relay <sup>3,13,14</sup>	WH	Gloss white
OUTCTR	Wiring leads pulled through back center of fixture		MB	Matte black
OCS	RELOC® OnePass® 5' installed <sup>3</sup>			
RRL	RELOC®-ready luminaire. See page 5 for ordering information			
WGX	Standard wire guard, installed			
<b>Cord sets:</b> <sup>5</sup>				
CS1W	Straight plug, 120V <sup>3,6</sup>			
CS3W	Twist-lock, 120V <sup>3,6</sup>			
CS7W	Straight plug, 277V <sup>3,6</sup>			
CS11W	Twist-lock, 277V <sup>3,6</sup>			
CS25W	Twist-lock, 347V <sup>3,6</sup>			
CS97W	Twist-lock, 480V <sup>3,6</sup>			
CS93W	600V SE00W white cord, no plug (no voltage required)			

See footnotes on page 2.

# IBH LED High Bay

**Accessories:** Order as separate catalog number.

**Mounting:**

IBAC120 M20	Aircraft cable 10' with hook (one pair)
IBAC240 M20	Aircraft cable 20' with hook (one pair)
IBHMP	Hook monopoint
ZACVH	Aircraft 10' V hanger (one pair)
IBLPMP	Pendant monopoint splice box, includes side covers
IBLPMPHB	Pendant monopoint splice box with 3/4" hub, includes side covers
HC36	Hanger chain, 36" (one pair)
THUN	Tong hanger bracket (order 2 per fixture) <sup>15</sup>

**Wire guards:**

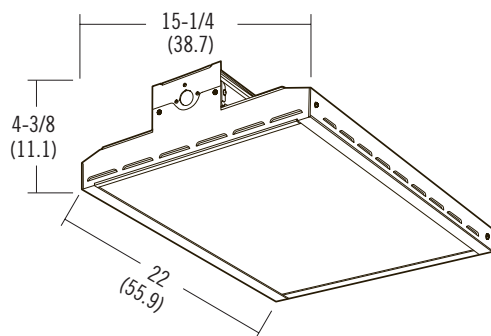
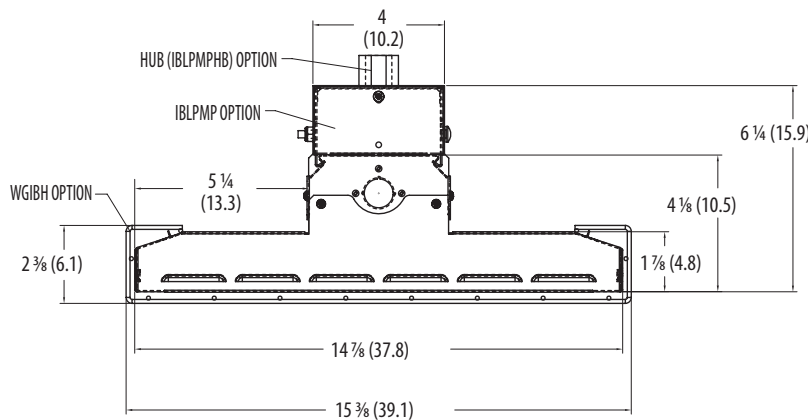
WGIBH	Wire guard for use with 9000LM - 15000LM fixtures
WGIBH4	Wire guard for use with 18000LM - 30000LM fixtures

**Notes**

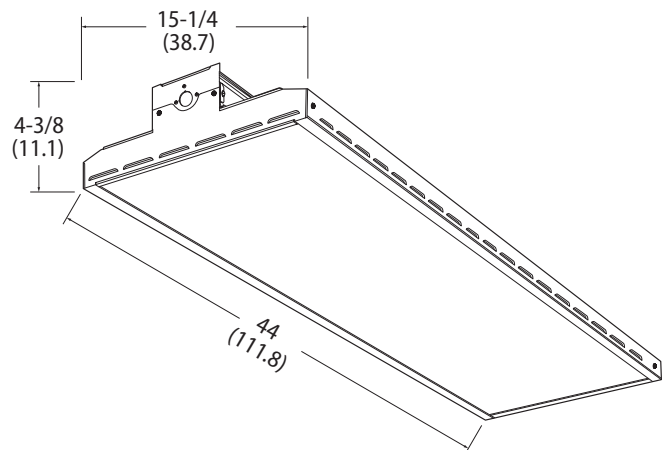
- 1 Direct eye exposure to the high-power LEDs can injure the eyes. Proper precautions should be taken to avoid direct prolonged and/or close-range viewing of the LEDs while operating.
- 2 10% reduction in lumens compared to 70 CRI.
- 3 Must specify voltage.
- 4 Not available with 347V.
- 5 All cord sets are 18/3, 6', white.
- 6 Cord sets are voltage specific. Specify voltage. Other configurations available. Consult factory.
- 7 Other configurations available, see page four for additional options. Maximum ambient temperature 104°F (40°C).
- 8 347V and 480V with nPP16D utilizes a step down transformer.
- 9 nMSI options utilizes a nPP16 and nCMB 50 sensor, CAT5e connector cable also included. Available 120 or 277V only.
- 10 nMSI360 options utilizes a nPP16 and nCMB 6 sensor, CAT5e connector cable also included. Available 120 or 277V only.
- 11 nMSID options utilizes a nPP16D and nCMB 50 sensor CAT5e connector cable also included. Available 120 or 277V only.
- 12 nMSI360D options utilizes a nPP16D and nCMB 6 sensor, CAT5e connector cable also included. Available 120 or 277V only.
- 13 For use in ambient temperatures ranging from -14° to 104°F (-10° to 40°C).
- 14 XPW option utilizes the XPA CMR80. Must specify voltage 120-277 only.
- 15 For use in applications with ambient temperatures up to 30C.

## DIMENSIONS

All dimensions are in inches (centimeters) unless otherwise indicated.  
Dimensions may vary with options or accessories.



9,000, 12,000 and 15,000 Lumens



18,000, 24,000 and 30,000 Lumens

# IBH LED High Bay

## OPERATIONAL DATA

Lumen package	Ambient rating* (120V - 277V)	Ambient rating* (347V / 480V)	Lens option	70CR, 50K	70CRI, 40K	80CRI, 50K	80CRI, 40K
9000LM	-40°F to 104°F (-40°C to 40°C)	-40°F to 86°F (-40°C to 35°C)	SD080	10,158	10,027	9,746	8,854
			L/Lens	10,745	10,607	10,310	9,366
12000LM	-40°F to 104°F (-40°C to 40°C)	-40°F to 86°F (-40°C to 35°C)	SD080	14,380	14,189	10,798	12,524
			L/Lens	15,211	15,009	14,596	13,248
15000LM	-40°F to 104°F (-40°C to 40°C)	-40°F to 95°F (-40°C to 35°C)	SD080	16,676	16,455	15,994	14,530
			L/Lens	17,640	17,407	16,919	15,370
18000LM	-40°F to 104°F (-40°C to 40°C)	-40°F to 95°F (-40°C to 35°C)	SD080	21,830	21,539	20,947	19,012
			L/Lens	23,092	22,785	22,159	20,112
24000LM	-40°F to 104°F (-40°C to 40°C)	-40°F to 95°F (-40°C to 35°C)	SD080	26,844	26,493	25,761	23,384
			L/Lens	28,397	28,025	27,251	24,737
30000LM	-40°F to 104°F (-40°C to 40°C)	-40°F to 95°F (-40°C to 35°C)	SD080	33,352	32,910	31,998	29,050
			L/Lens	35,281	34,814	33,849	30,730

\* Ambient temperature ratings vary depending on options selected.

## CHARACTERISTICS

Lumen package	Wattage				Length	Width	Depth	Weight without Lens (Lens kit adds approx. 7 lbs (2.3 kg))	Comparable light source
	120V	277V	347V	480V					
					Dimensions are shown in inches (centimeters) unless otherwise noted.				
9000LM	99	97	95	95	22 (55.9)	15-1/4 (38.7)	4-3/8 (11.1)	10 lbs (4.5 kg)	2-lamp T5HO
12000LM	131	129	126	125	22 (55.9)	15-1/4 (38.7)	4-3/8 (11.1)	10 lbs (4.5 kg)	4-lamp T8, 250W HID
15000LM	155	152	149	148	22 (55.9)	15-1/4 (38.7)	4-3/8 (11.1)	10 lbs (4.5 kg)	4-lamp T5HO, 6-lamp T8
18000LM	202	199	194	194	44 (111.8)	15-1/4 (38.7)	4-3/8 (11.1)	20 (9.1 kg)	4-lamp T5HO, 6-lamp T8, 400W HID
24000LM	257	253	247	247	44 (111.8)	15-1/4 (38.7)	4-3/8 (11.1)	20 (9.1 kg)	6-lamp T5HO, 8-lamp T8
30000LM	310	305	298	297	44 (111.8)	15-1/4 (38.7)	4-3/8 (11.1)	20 (9.1 kg)	8-lamp T5HO

## PROJECTED LUMEN MAINTENANCE

Operating hours	0	10,000	20,000	25,000	35,000	50,000	60,000	75,000	100,000
Lumen maintenance factor	1	0.96	0.92	0.90	0.87	0.83	0.80	0.76	0.69

## LUMENS VS. AMBIENT TEMPERATURE

Ambient °C	Ambient °F	Lumen multiplier
0	32	1.03
5	41	1.03
10	50	1.02
15	59	1.01
20	68	1.01
25	77	1.00
30	86	.98
35	95	.89
40	104	.79

## PHOTOMETRICS



# IBH LED High Bay

## LSXR - Fixture Mount Sensor (see [www.sensorswitch.com](http://www.sensorswitch.com) for additional information)

- Four interchangeable lenses.
- Integrated mounting bracket drops lens down 3" from chase nipple.
- Single or dual relay versions — designed with robust protection from the harsh switching requirements of T5 and LED loads.
- Photocell and 0-10VDC dimming options.
- No PIR field calibration or sensitivity adjustments required.



LSXR configuration	Comparable CMRB sensor	Old style sensor nomenclature
<b>For shortest lead times use one of the following LSXR configurations</b>		
LCOZU	CMRB 50	MSI
LCHOSZU	CMRB 50 D	MSID
LCPZU	CMRB 50 P	MSIPED
LAOZU	CMRB 6	MSI360
LAHOSZU	CMRB 6 D	MSI360D
LAPZU	CMRB 6 P	MSI360PED

### SELECTIONS BELOW WILL EXTEND ORDER LEAD TIME. CONSULT YOUR SALES REPRESENTATIVE FOR DETAILS.

#### SINGLE RELAY

##### ORDERING INFORMATION

Lead times will vary depending on options selected. Consult with your sales representative.

**Example:** LAHOSZU

Series	Lens option	Dimming/Photocell	Max. dim Level	Min. dim level	Temp/Humidity	Default time delay
L LSXR passive infrared indoor occupancy sensor	A High mount, 360°	O None <sup>1</sup>	0 10 VDC	S Minimum dimming level of ballast	Z None	I 30 seconds
	B Low mount, 360°	H High/low occupancy operation	9 9VDC	1 1 VDC	T Low temperature	D 2.5 minutes
	C High mount aisleway	P Switching photocell (on/off)	8 8 VDC	2 2 VDC		X 5 minutes
		M Dimming and switching photocell	7 7 VDC	3 3 VDC		R 7.5 minutes
	G Dimming and switching photocell with high/low occupancy operation			4 4 VDC		U 10 minutes (with minimum 15 minutes on time)
				5 5 VDC		V 15 minutes
				6 6 VDC		W 20 minutes
					Y 30 minutes	

#### DUAL RELAY (Available with 120, 277, and 347V only)

##### ORDERING INFORMATION

Lead times will vary depending on options selected. Consult with your sales representative.

**Example:** LA2KZU

Series	Lens option	Poles	Operating mode	Temp/Humidity	Default time delay
L LSXR passive infrared indoor occupancy sensor	A High mount, 360°	2 Dual relay	J None	Z None	I 30 seconds
	B Low mount, 360°		K Alternating off relays (promotes even lamp wear)	T Low temperature	D 2.5 minutes
	C High mount aisleway		O Alternating off relays w/photocell		X 5 minutes
			P Switching photocell (on/off)		R 7.5 minutes
	E Photocell on/off (pole 1 only)			U 10 minutes (with minimum 15 minutes on time)	
	F Photocell on/off - both poles (dual set-point)			V 15 minutes	
				W 20 minutes	
		Y 30 minutes			

**Example:** LENS 50 J100

Replacement lenses: Order as separate catalog number.		
Series	Lens type	Package quantity
Lens	6 High mount 360°	U Unit
	10 Low mount 360°	J10 10-pack
	50 High mount aisleway	J100 100-pack

##### Notes

- 1 Dimming level fields not required when this option is chosen.