

LUNERA HELEN LAMP GX23

LINE-DRIVEN INSTALLATION GUIDE

LED Replacement for 2-pin GX23 CFLs



The Helen Lamp GX23 can be installed directly using the existing CFL ballast (ballast-driven plug-and-play installation), or it can be 120V/277V line-driven. In this installation guide, line-driven installation is presented, which includes bypassing the installed ballast or removing the installed ballast entirely to reduce total fixture power consumption.

Installation Instructions: Line-Driven or Ballast-Bypass Driven 120V/277V

Note: Bypass instructions apply only to GX23 base Helen Lamps.

1. Make sure the circuit breaker that supplies power to the fixture is turned off
2. Remove trim and existing lamp(s) from recessed fixture. Drop housing from plaster frame.
3. Remove inner junction box cover and disconnect ballast from input wiring and lampholder leads. Dispose of removed ballast and lamps in accordance with government regulations in your area.
4. Connect input wiring to lampholder leads according to the appropriate diagram below (Figure 1 and 2). Place wires and connection back in wiring box and replace cover.

Figure 1. Retrofit with One Lamp (GX23 Base)

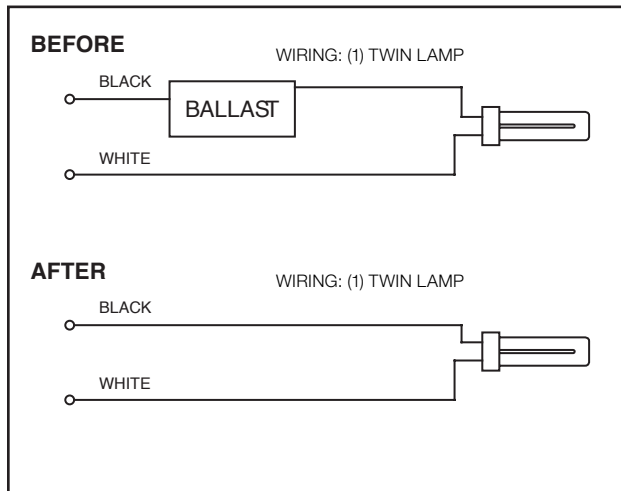
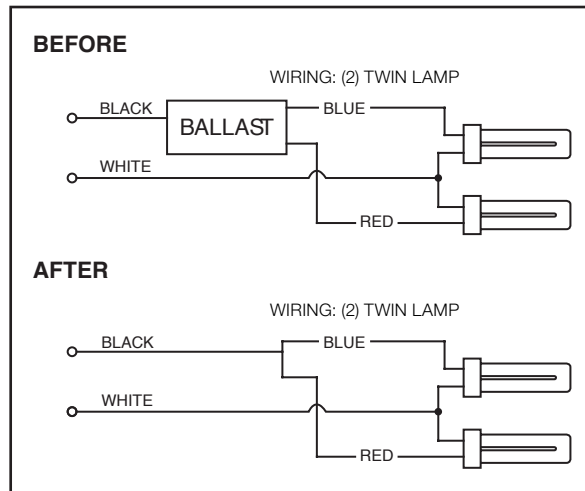


Figure 2. Retrofit with Two Lamps (GX23 Base)



5. Reinstall housing and trim.
6. Install your new Lunera LED PL lamps.
7. Apply relamping Label on a visible location inside the fixture.
8. Turn power on at the breaker box and turn on the lights.

LUNERA HELEN LAMP GX23

LINE-DRIVEN INSTALLATION GUIDE

Horizontal Mount, 2-pin GX23 Socket

General Safety Information

READ AND FOLLOW ALL SAFETY INSTRUCTIONS

DANGER - RISK OF SHOCK - DISCONNECT POWER BEFORE INSTALLATION

WARNING - Risk of fire or electric shock, LED Retrofit Kit installation requires knowledge of luminaire electrical systems. If not qualified, do not attempt installation. Contact a qualified electrician.

WARNING - Risk of fire or electric shock. Install this kit only in luminaires that have the construction features and dimensions shown in the photographs and/or drawings and where the input rating of the retrofit kit does not exceed the input rating of the luminaire.

WARNING - To prevent wiring damage or abrasion, do not expose wiring to edges of sheet metal or other sharp objects.

CAUTION - IF THE LAMP OR LUMINAIRE EXHIBITS UNDESIRABLE OPERATION (BUZZING, FLICKERING, ETC.) IMMEDIATELY TURN OFF POWER, REMOVE LAMP FROM LUMINAIRE AND CONTACT MANUFACTURER.

CAUTION - **RISK OF FIRE** - IF INSTALLING THIS LAMP IN A PRE-HEAT LUMINAIRE REMOVE THE AUTOMATIC STARTERS FROM THEIR HOLDERS BEFORE INSTALLING LAMP.

CAUTION - **RISK OF FIRE** - DO NOT INSTALL THIS LAMP IN A PRE-HEAT LUMINAIRE.

Only those open holes indicated in the photographs and/or drawings may be made or altered as a result of kit installation. Do not leave any other open holes in an enclosure of wiring or electrical components.

Do not make or alter any open holes in an enclosure of wiring or electrical components during kit installation.

Installers should not disconnect existing wires from lampholder terminals to make new connections at lampholder terminals. Instead, installers should cut existing lampholder leads away from the lampholder and make new electrical connections to lampholder lead wires by employing applicable connectors.


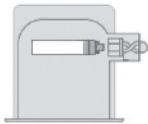

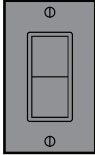
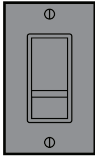
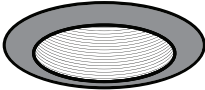
LUNERA HELEN LAMP GX23

LINE-DRIVEN INSTALLATION GUIDE

Horizontal Mount, 2-pin GX23 Socket

Intended Applications

When installed as Line-Driven, the Helen Lamp GX23 is designed for common commercial fixtures with 2-pin (GX23) CFL sockets that meet the following characteristics:

Lamp	Mount	Power Sources	Controls
<p>5 Watts</p> 	<p>Horizontal</p> 	<p>Direct Line Voltage</p> 	<p>Rocker Switch (non dimming)</p> 
Fixtures	Socket		<p>Dimmers (with compatible dimming ballast)</p> 
<p>Lensed / non-lensed downlights</p> 	<p>2-pin GX23</p> 