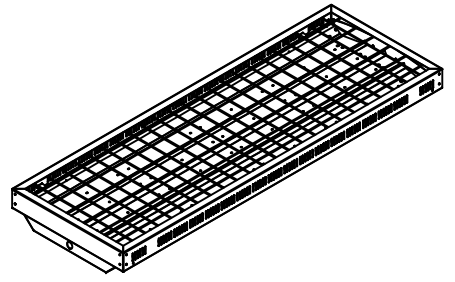
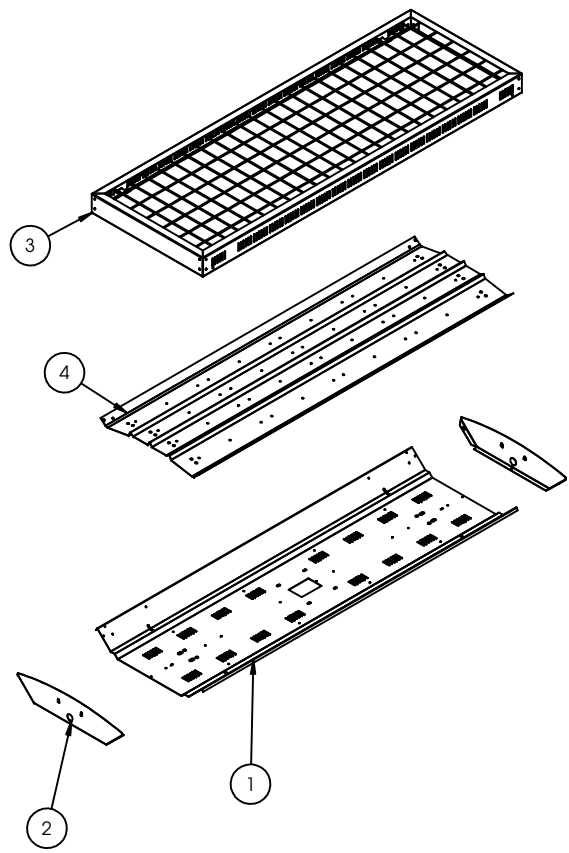


ITEM NO.	PART NUMBER	DESCRIPTION	HBC6_48IN_E_4R_ASSY/QTY.
1	HBC_PAN_6LT_T5T8		1
2	HBC_EC_6LT		2
3	HBC_DOOR FRAME_6LT_ASSY		1
4	HBC6_REF_48IN_E_4R		1



UNLESS OTHERWISE SPECIFIED:	NAME	DATE
DIMENSIONS ARE IN INCHES	S. CASKEY	10/13/2015
TOLERANCES:	J. BUTLER	10/13/2015
FRACTIONAL: $\pm 1/32$	J. BUTLER	10/13/2015
ANGULAR: ± 1	J. BUTLER	10/13/2015
TWO PLACE DECIMAL: ± 0.02	J. BUTLER	10/13/2015
THREE PLACE DECIMAL: ± 0.010	J. BUTLER	10/13/2015
	Q.A.	10/13/2015
COMMENTS:		

PROPRIETARY AND CONFIDENTIAL
 THE INFORMATION CONTAINED IN THIS DRAWING IS THE SOLE PROPERTY OF TEXAS FLUORESCENTS. ANY REPRODUCTION IN PART OR AS A WHOLE WITHOUT THE WRITTEN PERMISSION OF TEXAS FLUORESCENTS IS PROHIBITED.

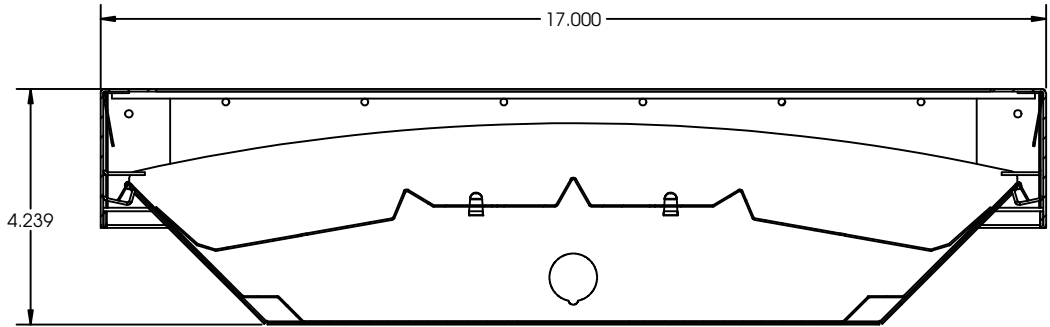
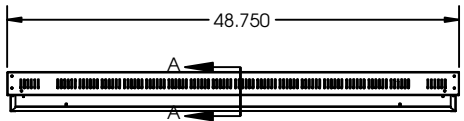
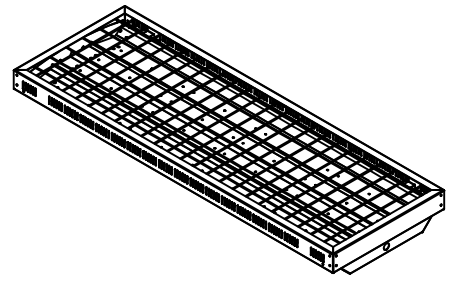
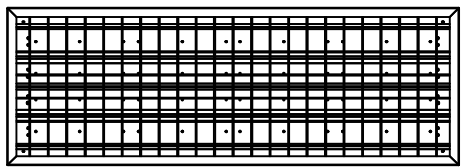
MATERIAL:
22G PRE-PAINTED CRS
 FINISH:
HIGH REFLECTIVE WHITE
 DO NOT SCALE DRAWING

TITLE:		
SIZE	DWG. NO.	REV
B	HBC6DFA_ASSY	
SCALE: 1:12	WEIGHT:	SHEET 1 OF 2

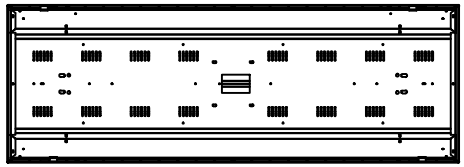
8 7 6 5 4 3 2 1

D
C
B
A

D
C
B
A



SECTION A-A
SCALE 1 : 2



8 7 6 5 4 3 2 1

PROPRIETARY AND CONFIDENTIAL
THE INFORMATION CONTAINED IN THIS DRAWING IS THE SOLE PROPERTY OF TEXAS FLUORESCENTS. ANY REPRODUCTION IN PART OR AS A WHOLE WITHOUT THE WRITTEN PERMISSION OF TEXAS FLUORESCENTS IS PROHIBITED.

UNLESS OTHERWISE SPECIFIED: DIMENSIONS ARE IN INCHES TOLERANCES: FRACTIONAL ±1/32 ANGULAR: ±1 TWO PLACE DECIMAL ±.020 THREE PLACE DECIMAL ±.010	DRAWN S. CASKEY 10/13/2015	NAME	DATE
	CHECKED J. BUTLER 10/13/2015	J. BUTLER	10/13/2015
	ENG APPR. J. BUTLER 10/13/2015	J. BUTLER	10/13/2015
	MFG APPR. J. BUTLER 10/13/2015	J. BUTLER	10/13/2015
	Q.A. J. BUTLER 10/13/2015	J. BUTLER	10/13/2015
	COMMENTS:		

TITLE:		
SIZE B	DWG. NO. HBC6DFA_ASSY	REV
SCALE: 1:12	WEIGHT:	SHEET 2 OF 2