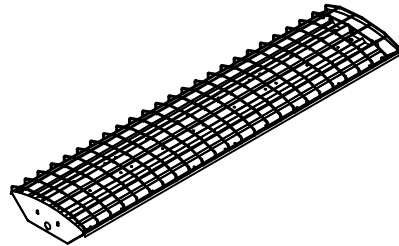
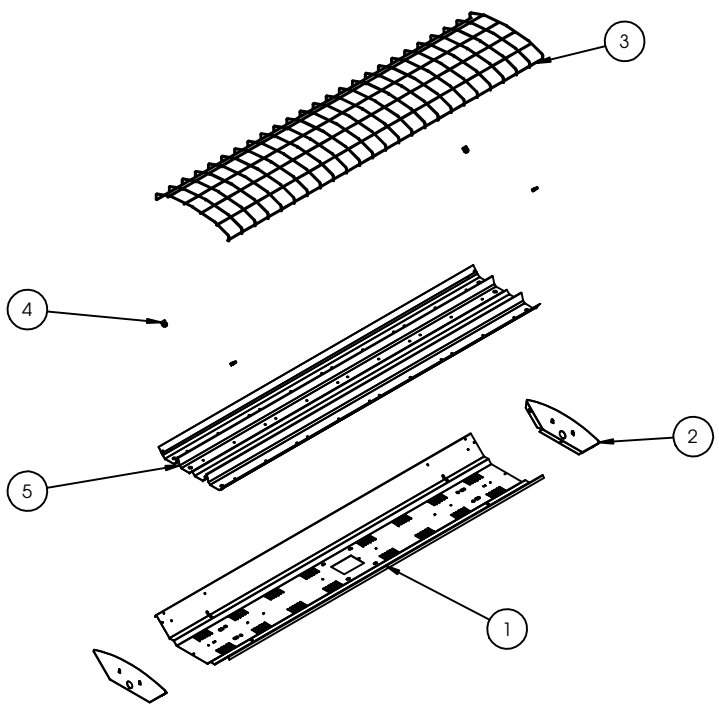


ITEM NO.	PART NUMBER	DESCRIPTION	HBC4_48L N_E_4R_A SSY/QTY.
1	HBC_PAN_4LT_T5T8		1
2	HBC_EC_4LT		2
3	HBC_WG_4LT ASSY		1
4	WIREGUARD_CLIP		4
5	HBC4_REF_E_4R_W30		1



UNLESS OTHERWISE SPECIFIED:		NAME	DATE
DIMENSIONS ARE IN INCHES		DRAWN	S. CASKEY 10/13/2015
TOLERANCES:		CHECKED	J. BUTLER 10/13/2015
FRACTIONAL: ±1/32		ENG APPR.	J. BUTLER 10/13/2015
ANGULAR: ±1		MFG APPR.	J. BUTLER 10/13/2015
TWO PLACE DECIMAL: ±0.020		Q.A.	J. BUTLER 10/13/2015
THREE PLACE DECIMAL: ±0.010		COMMENTS:	

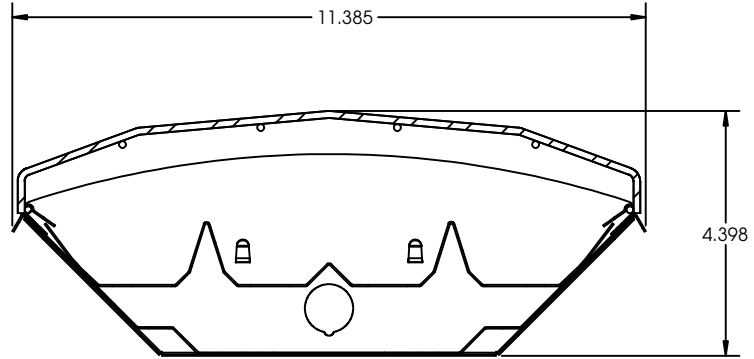
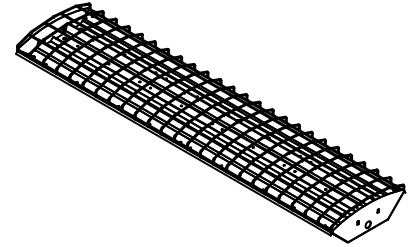
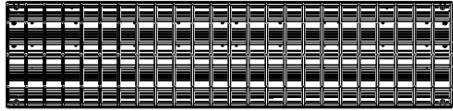
PROPRIETARY AND CONFIDENTIAL
 THE INFORMATION CONTAINED IN THIS DRAWING IS THE SOLE PROPERTY OF TEXAS FLUORESCENTS. ANY REPRODUCTION IN PART OR AS A WHOLE WITHOUT THE WRITTEN PERMISSION OF TEXAS FLUORESCENTS IS PROHIBITED.

TITLE:		
SIZE	DWG. NO.	REV
B	HBC4WG_ASSY	
SCALE: 1:12	WEIGHT:	SHEET 1 OF 2

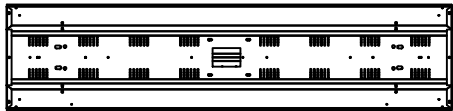
8 7 6 5 4 3 2 1

D
C
B
A

D
C
B
A



SECTION A-A
SCALE 1 : 2



8 7 6 5 4 3 2 1

PROPRIETARY AND CONFIDENTIAL
THE INFORMATION CONTAINED IN THIS DRAWING IS THE SOLE PROPERTY OF TEXAS FLUORESCENTS. ANY REPRODUCTION IN PART OR AS A WHOLE WITHOUT THE WRITTEN PERMISSION OF TEXAS FLUORESCENTS IS PROHIBITED.

UNLESS OTHERWISE SPECIFIED:	NAME	DATE
DIMENSIONS ARE IN INCHES	DRAWN	S. CASKEY 10/13/2015
TOLERANCES:	CHECKED	J. BUTLER 10/13/2015
FRACTIONAL $\pm 1/32$	ENG APPR.	J. BUTLER 10/13/2015
ANGULAR: ± 1	MFG APPR.	J. BUTLER 10/13/2015
TWO PLACE DECIMAL ± 0.020	Q.A.	J. BUTLER 10/13/2015
THREE PLACE DECIMAL ± 0.010	COMMENTS:	
MATERIAL:		
22G PRE-PAINTED CRS		
FINISH:		
HIGH REFLECTIVE WHITE		
DO NOT SCALE DRAWING		

TITLE:		
SIZE	DWG. NO.	REV
B	HBC4WG_ASSY	
SCALE: 1:12	WEIGHT:	SHEET 2 OF 2