

# 13654-EXL



UPC Code: 07847725991

Country of Origin: Mexico - \*Eligible for  
ARRA funded projects > \$7,443,000



## Lampholders

### Item Description

Medium to Miniature Base, T5 Bi-Pin, Standard Fluorescent Lampholder, Long T-8 to T-5 Adapter, Slide-On, Lamp-Lock, , Quickwire 18AWG Solid or Str Tinned - White

### Technical Information

#### Electrical Specifications

**Voltage:** 600 Volt

**Rated Wattage:** 660W

#### Material Specifications

**Body Material:** Thermoplastic

**Contact Material:** Copper-Alloy

**Color:** White

**Availability:** OEM Only

#### Mechanical Specifications

**Mounting Type:** Slide-On

**Panel Thickness:** 20 Ga. Panel

**Contact Type:** Lamp-Lock

**Termination:** Quickwire 18AWG Solid or Str Tinned

**Wire Strip Length:** 3/8 Inch

#### Product Features

**Lamp Base:** Medium to Miniature

**Lamp Contacts:** Bi-Pin

**Style Name:** Long T-8 to T-5 Adapter

**Mounting Type:** Slide-On

**Panel Thickness:** 20 Ga. Panel

**Contact Type:** Lamp-Lock

**Lamp Type:** T5

**Termination:** Quickwire 18AWG Solid or Str Tinned

**Rated Wattage:** 660W

**Color:** White

**Standards and Certifications:**  
UL/CSA/NOM

**Warranty:** 1 Year Limited

**Availability:** OEM Only

#### Standards and Certifications

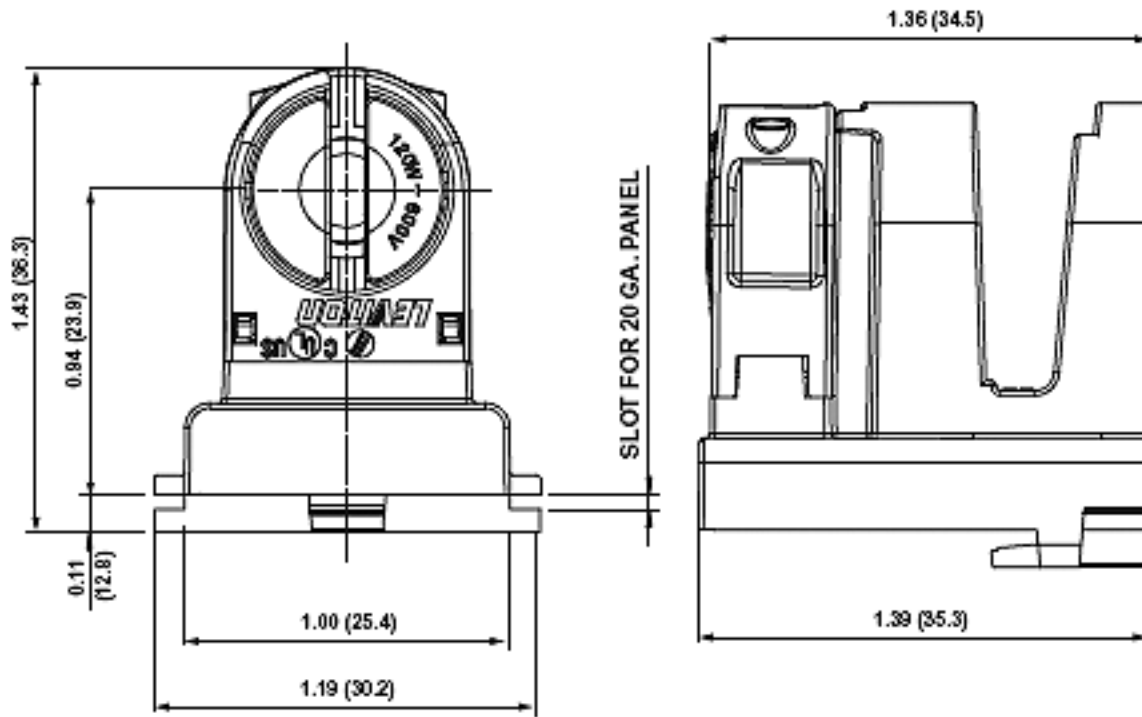
**UL Listed:** File E5833

**CSA Certified:** File LR-1863

**NOM Certified:** 057

### Features and Benefits

- Simple, cost-effective solution enables OEM's to incorporate miniature bi-pin T-5 lamps into existing T-8 fixture design
- No change in socket bar tooling required
- Fits existing slide-on T-8 lampholder cutouts and compensates for variations in T-5 lamp lengths
- 4-position, positive-stop lamp-lock socket makes it simple for end users to relamp in service
- Long and Short lengths available
- Available shunted and non-shunted



**SPECIFICATION SUBMITTAL**

JOB NAME: <input type="text"/>	CATALOG NUMBERS: <input type="text"/>	
JOB NUMBER: <input type="text"/>	<input type="text"/>	<input type="text"/>

