
T-8 to T-5 Adapter

Adapts T-8 Linear Fluorescent Fixture to Accept Energy-Efficient T-5 Lamps with G5 Base



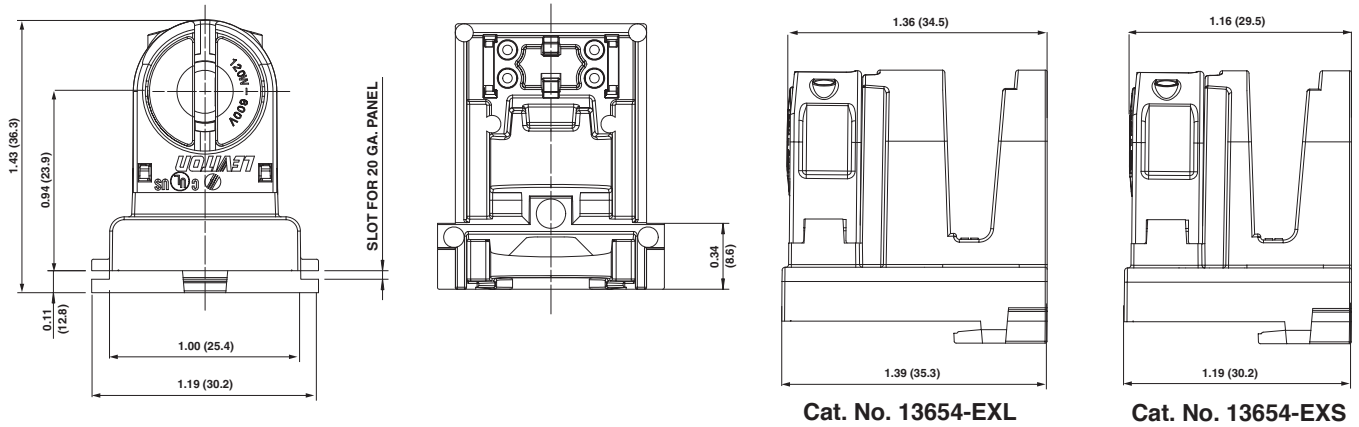
Applications:

- General, decorative and architectural lighting in offices, schools, hotels and libraries
- Pendant lighting in offices, schools and libraries
- Retail cove, soffit, showcase and display lighting

Features and Benefits:

- Simple, cost-effective solution enables OEM's to incorporate miniature bi-pin T-5 lamps into an existing T-8 fixture design
- No change in socket bar tooling required
- Fits existing slide-on T-8 lampholder cutouts and compensates for variations in T-5 lamp lengths
- 4-position, positive-stop lamp-lock socket makes it simple for end-users to relamp in service
- Long and short lengths available
- Cat. No. 23654 provides internal shunt connection for use with instant-start ballasts
- Chemical-resistant white thermoplastic body

Dimensional Drawings



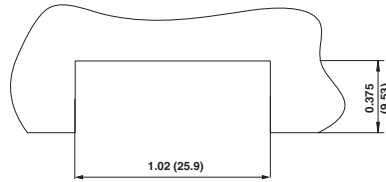
Rating:

120W-600V

Agency Standards:

- UL Listed (File #E-5833)
- CSA Certified (File #LR-1863)
- NOM Certified 057

Patent Pending



SUGGESTED PANEL OPENING

Note: Dimensions in parentheses are in millimeters. All other dimensions are in inches.

ADAPTER CONVERSION GUIDE				
Nominal T-8 Lamp Length (in.)	T-8 Lamp Length, Actual (in.)	T-5 Lamp Length, Actual (in.)	Length Difference (in.)	Leviton Dash Nos. Needed
60	59.555	57.606	1.949	2 Long (-EXL)
48	47.725	45.795	1.930	2 Long (-EXL)
36	35.725	33.984	1.741	1 Long (-EXL), 1 Short (-EXS)
24	23.725	22.173	1.552	2 Short (-EXS)

ORDERING INFORMATION:	
Cat. No.	Description
13654-EXL	Long T-8 to T-5 adapter converts existing T-8 fixtures to accept energy-efficient T-5 lamps. With positive-stop lamp-lock socket. See chart for conversion requirements.
23654-EXL	Same as 13654-EXL, except shunted for use with instant-start ballasts.
13654-EXS	Short T-8 to T-5 adapter converts existing T-8 fixtures to accept energy-efficient T-5 lamps. With positive-stop lamp-lock socket. See chart for conversion requirements.
23654-EXS	Same as 13654-EXS, except shunted for use with instant-start ballasts.