



Centium T8HO

CENTIUM ELE BALLAST (2) F96T8/HO 120-277V

Centium T8 High Output Solution for Cold Environments

Product data

• General Characteristics

Lamp Type	F96T8/HO
Number of Lamps	1/2 piece
Input Voltage	120-277 V
Line Frequency	50/60 Hz
Ballast Type	Electronic Fluorescent
Base Model	ICN2S86SC
Housing	SC
Housing Dimensions	9.5" x 1.7" x 1.18"
Housing Material	Metal
Suitable for Outdoor use?	Yes
Starting Method	Programmed Start
Family Name	Centium

Wire Length by Color	See data sheet
Wire Type	Solid
Allowed Wiring Config(Remote)	Yes
Allowed Wiring Config(Tandem)	Yes
Allowed Wiring Config(Through)	Yes
Max Dist. Ball to Lamp(Remote)	12'
Max Dist. Ball to Lamp(Tandem)	Blue = 12'
Max Dist. Ball to Lamp(Through)	Blue = 12'

• Operating Characteristics

Automatic restart	Yes
Ignition time	1.5 s
Input Power Gear	182-178 W
Ballast factor	1.00 -
Ballast Efficacy Factor	0.55 -
Power Factor	0.99
Lamp Current Crest Factor	1.6 -
Sound Rating	A
Max THD	10 %

• System Chars on driver level

Rated Lamp Watts	86W
------------------	-----

• Temperature Characteristics

T-case maximum	70 C
----------------	------

• Product Dimensions

Length A1	9.5 in
Length A2	8.9 in
Width B1	1.7 in
Height C1	1.18 in

• Wiring Characteristics

Color input terminals	No terminals
Color output terminals	No terminals
Connector type	No connector
Wire Striplength	0.50/0.375 mm
Lamp Connection	Series
Wire Gauge	18AWG

• Approval & Application Chars

EMC Immunity	FCC Non-Consumer
Approbation Marks	UL, CSA, DOE, RoHS
UL Listed	Yes
CSA certificate	Yes

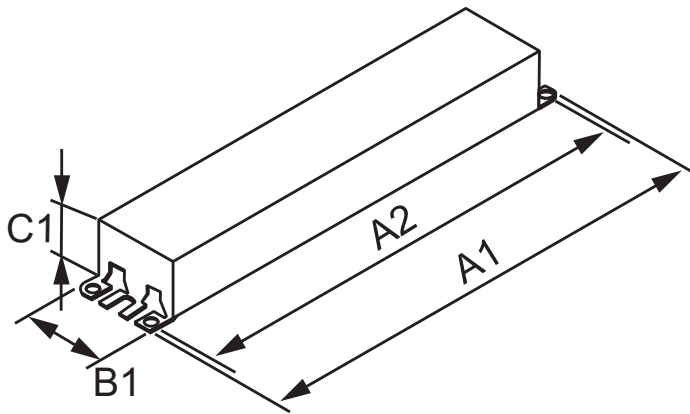
Centium T8HO

CEC Listing	Yes
CEE Rated	No
Circle E logo	Yes
CSA E	No
cUL certificate	No
DOE	Yes
Energy Star	No
FIDE Certificate	No
NEMA Premium	No
NOM certificate	No
RoHS Compliant	Yes
SASO Certificate	No
UL Recognized	No

• Product Data

Product number	ICN2S86SC351
Full product name	ELE BALLAST (2) F96T8/HO 120-277V
Short product name	ELE BALLAST (2) F96T8/HO 120-277V
Pieces per Sku	1
Skus/Case	10
Bar code on pack	781087138458
Bar code on case	30781087138459
Logistics code(s)	913701264801
eop_net_weight_pp	0.754 kg

Dimensional drawing



CENTIUM ELE BALLAST (2) F96T8/HO 120-277V

Product	A1 (Norm)	A2 (Norm)	A3 (Norm)	B1 (Norm)	C1 (Norm)
ELE BALLAST (2) F96T8/HO 120-277V	9.5	8.9	-	1.7	1.18

