



## ADJUSTABLE WATER PUMP INSTRUCTIONS



***Before operating this appliance,  
please read this instruction  
manual carefully and keep  
it handy for future reference.  
Please pay special attention  
to these Safety Instructions.***

### **INSTALLATION INSTRUCTIONS**

If pump will be used in water, place pump with filter cover, water outlet adapter and fountain head, etc. in a desired place. Position suction feet on pump and attach to aquarium or other place before connecting power source. **DO NOT** put plug with pump into water together. If plug drops into water, power supply should be turned off to avoid electric shock. If used outside water, mount it on flat and sturdy base with water intake, outlet adapters, pipe, etc. Pump can be used indoors or outdoors. Supply cord cannot be changed or replaced. It cannot be bent or used to carry pump. If cord is damaged, do not use pump.

## SAFETY INSTRUCTIONS

The following icons are used in this Instruction Manual:

- ⚠ WARNING!** How to avoid possible personal hazard.
- ⚠ DANGER!** Avoid possible danger.
- ⓘ CAUTION!** Describes procedures you should obey or avoid to prevent equipment or others from damage.
- ⚠ WARNING**

- Keep children away of this unit and do not let them play with product.
- **DO NOT** operate unit if persons are in water!
- A high-voltage connector is in unit. Switch off main power supply prior to cleaning or performing maintenance on unit.
- Never cut power plug and replace it yourself, this may lead to serious injury.
- Never open unit housing or its attendant components, unless this is explicitly required in operating instructions.

## IMPORTANT SAFETY INSTRUCTIONS

For safety reasons, children and young persons under 16 years of age, as well as persons who cannot recognise possible danger or those who are not familiar with these operating instructions, are not permitted to use this unit.

**DO NOT** let children play with this appliance.

Hazards encountered by combination of water and electricity!

- Combination of water and electricity can lead to death or severe injury from electrocution if unit is incorrectly connected or misused.
- Prior to reaching into water, always switch off the main power supply to all units used in water.
- **DO NOT** place product where it may fall down or get wet.
- **DO NOT** operate product during thunder storm or it may result in electric shock.
- Install unit so that it is not exposed to direct sunlight (max. 100° F).

**The following restrictions apply to the unit:**

- **NEVER** use this unit to pump fluids other than water.
- **NEVER** run this unit without water.
- **DO NOT** use for commercial or industrial purposes.
- **DO NOT** use in conjunction with chemicals, foodstuffs, easily flammable or explosive substances.

## FEATURES

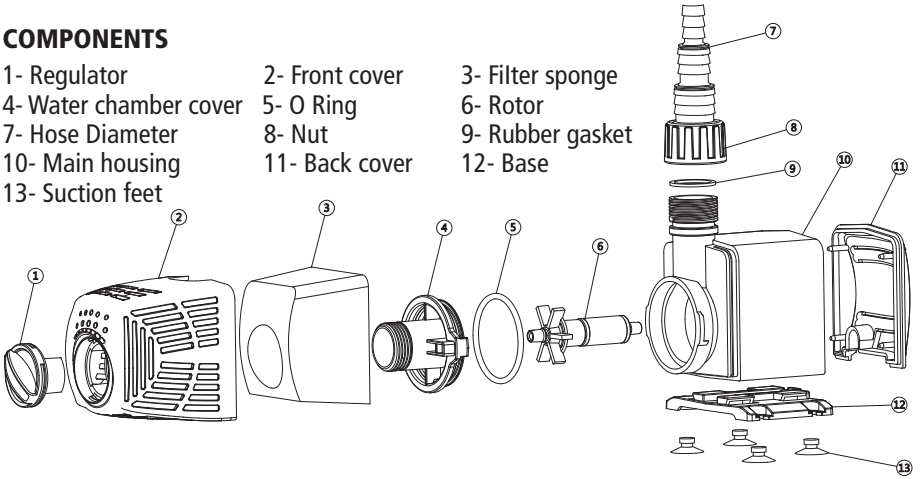
1. Precise high aluminum ceramic shaft for fresh and sea water dual use.
2. Double water-cooled structure for rapid heat dissipation.
3. Adopts high quality resin to seal the winding and never leak electricity.
4. Super quality ABS plastic housing, which is anticorrosive and anti-striking.
5. Can be operated submersible or in-line.

## FUNCTIONS

1. Fresh and sea water or other liquid supply and emissions.
2. Seafood raising pool circulating water supply and drainage.
3. Of various models the aquarium made waves, water the garden, rocky circulating water supply, fountains, landscaping, underground pond drainage and cleaning.

## COMPONENTS

- |                        |                |                  |
|------------------------|----------------|------------------|
| 1- Regulator           | 2- Front cover | 3- Filter sponge |
| 4- Water chamber cover | 5- O Ring      | 6- Rotor         |
| 7- Hose Diameter       | 8- Nut         | 9- Rubber gasket |
| 10- Main housing       | 11- Back cover | 12- Base         |
| 13- Suction feet       |                |                  |



## ⓘ USAGE CAUTION

### A. BEFORE OPERATION

1. Check that the power voltage and frequency conforms to the power ratings on the nameplate.
2. Pump must be supplied through a residual current device (RCD) having a rated residual operating current not exceeding 30mA.
3. Don't lift, lower or carry pump by power cable.
4. Always switch off power mains before doing any maintenance or placing your hands in water to which this pump is connected.
5. **DO NOT** add any lubricant to pump. **DO NOT** operate the pump without water. This will severely damage the pump.
6. **DO NOT** use pump with water at a temperature that is higher than 100° F, as it will shorten the expected life of the pump.
7. Unplug power to pump before performing maintenance or examining.

### B. THE POND PUMP SHOULD NOT BE USED IF:

1. Power supply cord or other important parts are damaged in any way. If cord is damaged, pump should not be used and discarded.
2. Pump has a wet plug or a wet receptacle.
3. Water discharge from pump is reduced.
4. A part is broken and water leaks in.
5. Anything abnormal occurs.

### C. DURING OPERATION

1. Shut off power immediately to prevent motor from burning out when motor is overloaded due to clogging of foreign material.
2. Please consult store where you purchased unit, if you do not find the cause of pump working improperly. **DO NOT** disassemble or assemble this unit, as it may result in motor damage.

## ⓘ STORAGE/OVER-WINTERING

- Stop operating unit if temperatures fall below 45° F or if freezing weather is expected.
- Pour out water from inside unit. Thoroughly clean and check unit for damage. Allow to thoroughly dry, before placing into storage.
- Store unit in dry place and keep it away from children.

## TROUBLESHOOTING

Before calling service personnel, please check the following chart for a possible cause to the trouble you are experiencing.

SYMPTOM	CAUSE	COUNTERMEASURE
The pump doesn't run	Power is not turned on	Turn on the power
	Plugged in insufficiently	Plug in sufficiently
	Impeller binding	Remove foreign matters from impeller
The motor repeats on and off immediately without pump running. The motor suddenly stops and cannot be started again.	Apply to wrong voltage	Apply to correct voltage
	The water inlet or outlet pipe is clogged with foreign matters	Remove foreign matters from the pipes
The pump runs normally at the beginning but the water flows out sluggishly or there is no water	Impeller worn out	Replace it with a new one
	Water level goes down and the pump exposed on the water source	Put the pump into water
	Hose is too long or clogged with foreign matters	Shorten the hose or clean up inside
	There is air in the impeller chamber ( Only when used outside water )	In order to get rid of the air, put the pump into the water. Turn the switch to "ON" then "OFF" intermittently twice or 3 times

## MAINTENANCE

Unit motor is hermetically sealed with super quality resin and does not require any extra care. Impeller assembly rests in an easy-open cover to allow occasional spot check for grime and dirt. Water chamber has an effective self cleaning feature, but regular maintenance will lengthen life of impeller and motor. Clip two sides of front cover, draw front cover from pump. Gently grasp water chamber cover by counterclockwise.

**PLEASE NOTE:** soap or detergents are not recommended for pump maintenance because they are bad for fish health.

## DISPOSAL

**DO NOT** dispose of this unit with domestic waste! Disable unit beforehand by cutting off cables.