

LED EM16-1150ew

Part #: EBMR16/450/GU5.3/40D/50KLEDG2 Bulb Class: MR16

5000K
CCT



Product Description

LED EM16-1150ew, directional flood MR16, replaces conventional 30 Watt incandescent bulbs delivering more brightness (lumens) for less energy (Watts). With lower energy consumption levels you will be able to experience considerable energy savings throughout the years. EM16-1150ew design reduces internal bulb heat providing greater durability and constant bulb performance. Enjoy features such as: instant on, shatter resistance and mercury free.



Estimated Energy Cost: \$0.78 per year

*Note: Design, features and specifications subject to change without notice. Some features may not be available on all models. Please visit www.eurilighting.com or call 1-888-743-5766 for more information.

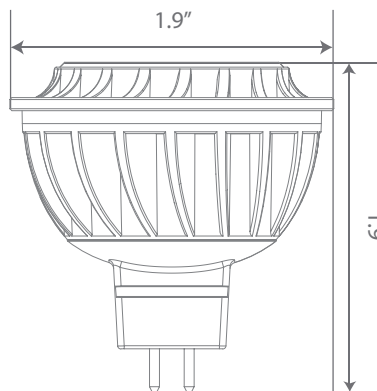
Specifications

Input Power	Input Voltage	Lumen Output	Beam Angle	Center Beam	CCT
6.5 W	12 V	450 lm	40°	845 cd	5000 K
CRI	Luminous Efficacy	Power Factor	Input Current	Base	Lamp Lifespan
80	69 lm/W	0.7	0.82 A	GU5.3	25,000 Hrs.

Product Features

- Non-Dimmable
- Instant-On/Off
- Mercury Free
- Energy Efficient

Product Dimensions



Product Photometric Data

