

LED EP38-1050ew

Part #: EBP38DM/1500/40D/50KLEDG3

Bulb Class: PAR38



Product Description

LED EP38-1050ew, directional flood PAR38, replaces conventional 100 Watt incandescent bulbs delivering more brightness (lumens) for less energy (Watts). With lower energy consumption levels you will be able to experience considerable energy savings throughout the years. EP38-1050e design reduces internal bulb heat providing greater durability and constant bulb performance. Enjoy features such as: instant on, dimming options, shatter resistance and mercury free.



Estimated Energy Cost: \$2.17 per year

*Note: Design, features and specifications subject to change without notice. Some features may not be available on all models. Please visit www.eurilighting.com or call 1-888-743-5766 for more information.

Specifications

Input Power	Input Voltage	Lumen Output	Beam Angle	Center Beam	CCT
18 W	120 V	1500 lm	40°	3315 cd	5000 K
CRI	Luminous Efficacy	Power Factor	Input Current	Base	Lamp Lifespan
80	83 lm/W	0.9	0.14 A	E26	25,000 Hrs.

Product Features



Dimmable



Instant-On/Off

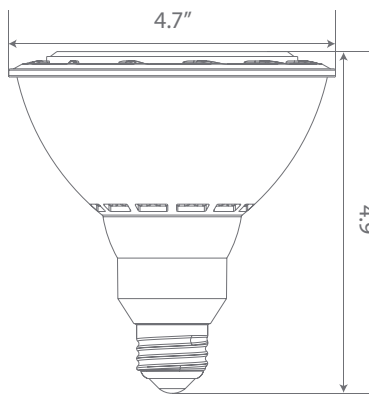


Mercury Free



Energy Efficient

Product Dimensions



Product Photometric Data

