



User Manual

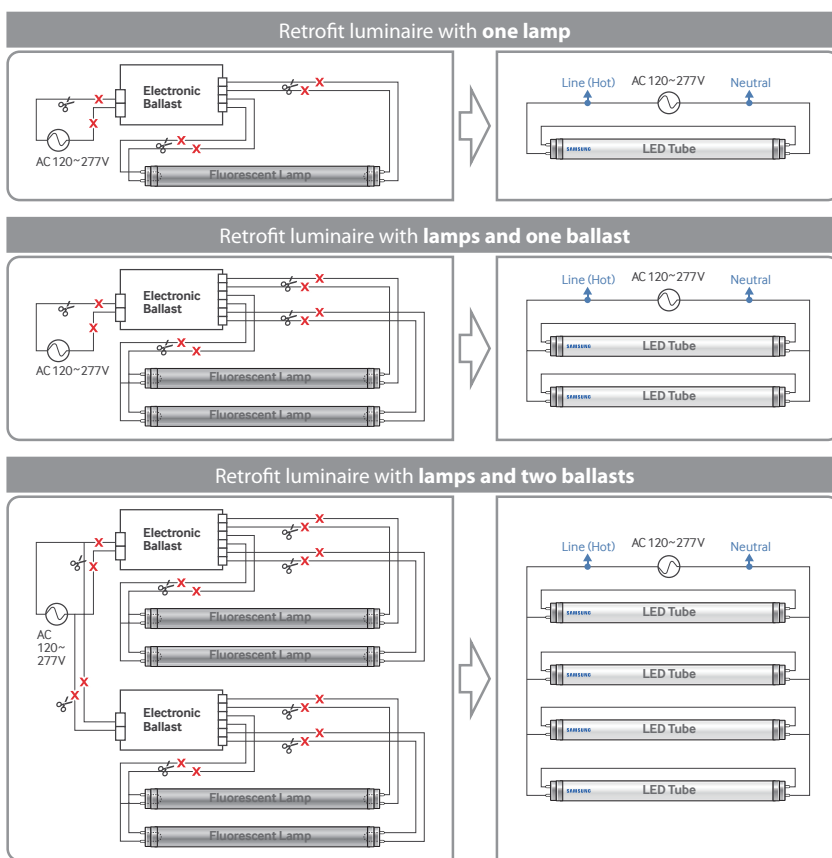
AC Direct LED Tube

Always have a qualified electrician do your electrical work!
Switch off power before starting the installation!
Please review the instructions and warnings prior to starting the installation.

Packing details | •LED Tube 1pc •Label 3 pcs
•User manual 1pc

Instructions for mounting :

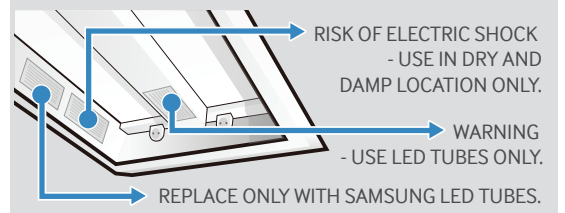
Schematic steps for removing a fluorescent lamp and inserting a LED Tube.



Installation instructions

- Switch off power before starting the installation.
- Remove fixture cover or diffuser and the fluorescent lamps.
- Open/Remove wiring compartment cover.
- Cut all remaining wires connected to the ballast.
- Replace lampholders with non-shunted G13 bi-pin sockets – if needed.
- Connect one wire from the socket to branch circuit (Hot) and on the second socket, connect the other wire to the branch circuit (Neutral).
- Reinstall wiring compartment cover.
Take care not to pinch, crimp, or bind wires.
- Remove any existing labels and apply new labels in the appropriate locations as illustrated below.

Label locations



- Insert the LED tube into the lampholders.
- Switch on power.

※ Before retrofit, please confirm the existing fluorescent luminaire's size is larger than the defined dimensions below.

Model	Minimum luminaire dimension: Length * Width(mm)			
	Fit One LED Tube	Fit Two LED Tube	Fit Three LED Tube	Fit Four LED Tube
SI-L8x10206Ayz	622 x 600	622 x 600	622 x 600	622 x 600
SI-L8x19112Ayz	1232 x 600	1232 x 600	1232 x 600	1232 x 600
GU14H3016x8Ayz	1232 x 600	1232 x 600	1232 x 600	1232 x 600

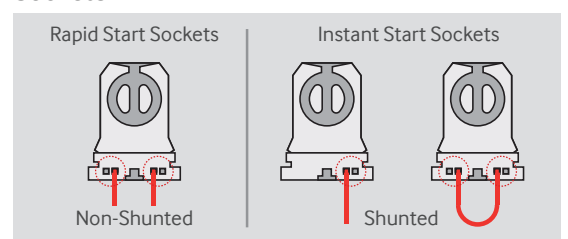
Electrical characteristics (typical value)

Model	Dimension	Voltage AC(V)	Current AC (A)	Power (W)	Rated Frequency (Hz)
SI-L8x10206Ayz	0.6m	120-277	0.03-0.09	9.5	50 / 60
SI-L8x19112Ayz	1.2m	120-277	0.07-0.16	18	50 / 60
GU14H3016x8Ayz	1.2m	120-277	0.06-0.15	16.5	50 / 60

※ x : V = 3000K, U = 3500K, T = 4000K, R = 5000K / yz : US, CA

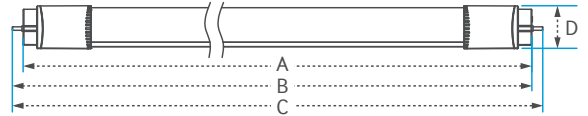
- ※ The AC input end of the LED Tube is marked with the SAMSUNG mark.
- ※ Samsung's warranty will be void if the labels (UL stickers) are not applied to the fixture after the modification and installation.

Sockets



Dimension

Model	Dimension	A		B		C	D (MAX)	Socket type
		MAX (mm)	MIN (mm)	MAX (mm)	MAX (mm)			
SI-L8x10206Ayz	0.6m	589.8	594.5	596.9	604.0	Φ32	G13	
SI-L8x19112Ayz	1.2m	1199.4	1204.1	1206.5	1213.6	Φ32	G13	
GU14H3016x8Ayz	1.2m	1199.4	1204.1	1206.5	1213.6	Φ32	G13	



Warnings :

- DO NOT INSERT FLUORESCENT LAMPS. THEY COULD BREAK, CAUSING SERIOUS INJURY. USE LED TUBES ONLY.
- DO NOT USE THIS DEVICE TO ILLUMINATE EMERGENCY EXITS.
- RISK OF FIRE OR ELECTRIC SHOCK - LED RETROFIT KIT INSTALLATION REQUIRES KNOWLEDGE OF LUMINAIRES' ELECTRICAL SYSTEMS. IF NOT QUALIFIED, DO NOT ATTEMPT INSTALLATION. CONTACT A QUALIFIED ELECTRICIAN.
- RISK OF FIRE OR ELECTRIC SHOCK - INSTALL THIS KIT ONLY IN THE LUMINAIRES THAT HAVE THE CONSTRUCTION FEATURES AND DIMENSIONS SHOWN IN THE PHOTOGRAPHS AND/OR DRAWINGS.
- DO NOT MAKE OR ALTER ANY OPEN HOLES IN AN ENCLOSURE OF WIRING OR ELECTRICAL COMPONENTS DURING KIT INSTALLATION.
- TO PREVENT WIRING DAMAGE OR ABRASION, DO NOT EXPOSE WIRING TO EDGES OF SHEET METAL OR OTHER SHARP OBJECTS.
- TO AVOID POTENTIAL FIRE OR SHOCK HAZARD, DO NOT USE THIS RETROFIT KIT IN LUMINAIRES EMPLOYING SHUNTED BI-PIN LAMP HOLDERS. NOTE : SHUNTED LAMP HOLDERS ARE FOUND ONLY IN FLUORESCENT LUMINAIRES WITH INSTANT-START BALLASTS. INSTANT-START BALLASTS CAN BE IDENTIFIED BY THE WORDS "INSTANT START" OR "I.S." MARKED ON THE BALLAST. THIS DESIGNATION MAY BE IN THE FORM OF A STATEMENT PERTAINING TO THE BALLAST ITSELF, OR MAY BE COMBINED WITH THE MARKING FOR THE LAMPS WITH WHICH THE BALLAST IS INTENDED TO BE USED, FOR EXAMPLE F40T12/IS. FOR MORE INFORMATION, CONTACT SAMSUNG ELECTRONICS.
- INSTALLERS SHOULD NOT DISCONNECT EXISTING WIRES FROM LAMP HOLDER TERMINALS TO MAKE NEW CONNECTIONS AT LAMP HOLDER TERMINALS. INSTEAD INSTALLERS SHOULD CUT EXISTING LAMP HOLDER LEADS AWAY FROM THE LAMP HOLDER AND MAKE NEW ELECTRICAL CONNECTIONS TO LAMP HOLDER LEAD WIRES BY EMPLOYING APPLICABLE CONNECTORS.

Cautions :

- Do not use with dimmers.
- Do not touch this product with wet hands.
- Do not look directly at the operating LED Tube.
- Do not use a series connection when installing this product.
- For use only with UL Listed IC or NON-IC Recessed Mount Fluorescent Luminaries with or without Diffuser.
- LED Tubes must be operated within an ambient fixture temperature of -4°F(-20°C) and 122°F(50°C).
- Risk of electric shock. Not for use where exposed to the weather.
- Risk of fire or electric shock. The electrical rating of this products is 120-277Vac.
- The installer must determine whether they have 120-277Vac at the luminaries before installation.
- For outdoor usage, should be installed in a waterproof fixture.
- This product contains chemicals known to the State of California to cause cancer and reproductive toxicity.
- The luminaires shall be grounded.
- For use in dry and damp locations only.
- Do not disassemble, repair or alter discretionally.

Warranty :

Product Life Time	Warranty Period	Limited Conditions
Lifetime ≥ 25,000 Hr	5 Years	Blackouts or flickering caused by product defects (Average usage time 12 Hrs/Day)

Warranty Terms

The warranty period starts 3 months after the applicable production date.
 This Warranty only applies under the limited conditions outlined above and does not apply to failures caused by abnormal use.
 The Warranty will not apply if you do not adhere to the instructions in this User Manual.
 Any labor costs for the installation and removal of products are not covered under this Warranty.