



**75W**  
REPLACEMENT

# LED EP30-1050ew

Part #: EBP30DM/1200/40D/50KLEDG3

Bulb Class: PAR30

**5000K**  
CCT



## Product Description

**LED EP30-1050ew**, directional flood PAR30, replaces conventional 75 Watt incandescent bulbs delivering more brightness (lumens) for less energy (Watts). With lower energy consumption levels you will be able to experience considerable energy savings throughout the years. EP30-1050ew design reduces internal bulb heat providing greater durability and constant bulb performance. Enjoy features such as: instant on, dimming options, shatter resistance and mercury free.



**Estimated Energy Cost: \$1.81 per year**

\*Note: Design, features and specifications subject to change without notice. Some features may not be available on all models. Please visit [www.eurilighting.com](http://www.eurilighting.com) or call 1-888-743-5766 for more information.

## Specifications

Input Power	Input Voltage	Lumen Output	Beam Angle	Center Beam	CCT
15 W	120 V	1200 lm	40°	2228 cd	5000 K
CRI	Luminous Efficacy	Power Factor	Input Current	Base	Lamp Lifespan
80	80 lm/W	0.9	0.12 A	E26	25,000 Hrs.

### Product Features



Dimmable



Instant-On/Off

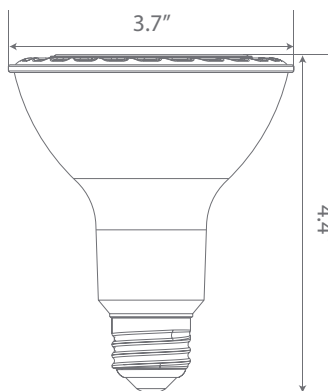


Mercury Free

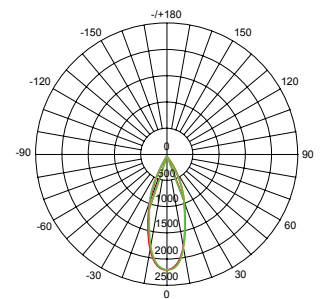


Energy Efficient

### Product Dimensions



### Product Photometric Data



UNIT: cd

— C0/180, 19.9, 17.2  
— C90/270, 18.9, 17.6