



# LED EP16-1020ew

Part #: EBP16DM/450/GU10/40D/27KLEDG2    Bulb Class: PAR16



## Product Description

**LED EP16-1020ew**, directional flood PAR16, replaces conventional 60 Watt incandescent bulbs delivering more brightness (lumens) for less energy (Watts). With lower energy consumption levels you will be able to experience considerable energy savings throughout the years. EP16-1020ew design reduces internal bulb heat providing greater durability and constant bulb performance. Enjoy features such as: instant on, dimming options, shatter resistance and mercury free.



**Estimated Energy Cost:** \$0.78 per year

\*Note: Design, features and specifications subject to change without notice. Some features may not be available on all models. Please visit [www.eurilighting.com](http://www.eurilighting.com) or call 1-888-743-5766 for more information.

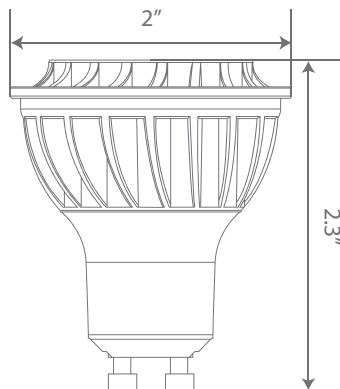
## Specifications

Input Power	Input Voltage	Lumen Output	Beam Angle	Center Beam	CCT
6.5 W	120 V	450 lm	40°	1148 cd	2700 K
CRI	Luminous Efficacy	Power Factor	Input Current	Base	Lamp Lifespan
80	69 lm/W	0.9	0.05 A	GU10	25,000 Hrs.

### Product Features

- Dimmable
- Instant-On/Off
- Mercury Free
- Energy Efficient

### Product Dimensions



### Product Photometric Data

