

Fig. 1

IMPORTANT SAFETY INFORMATION

(Protect yourself. Read these instructions carefully and save them for future reference).

- To reduce the risk of death, personal injury or property damage from fire, electric shock, falling parts, cuts/abrasions, and other hazards read all warnings and instructions included with and on the the fixture box and all fixture labels.
- Before installing, servicing, or performing routine maintenance upon this equipment, follow these general precautions.
- Commercial installation, service and maintenance of luminaires should be performed by a qualified licensed electrician.
- For Residential installation: If you are unsure about the installation or maintenance of the luminaires, consult a qualified licensed electrician and check your local electrical code.
- **DO NOT INSTALL DAMAGED PRODUCT!**
- Recycle: For information on how to recycle LED electronic products, please visit www.epa.gov.
- This fixture should not be used in areas with limited ventilation or high ambient temperatures.
- This fixture is intended to be connected to a properly installed and grounded UL listed junction box.
- These instructions do not purport to cover all details or variations in equipment nor to provide every possible contingency to meet in connection with installation, operation, or maintenance. Should further information be desired or should particular problems arise which are not covered sufficiently for the purchaser's or owner's purpose, this matter should be referred to Acuity Brands Lighting, Inc.

WARNING: RISK OF ELECTRICAL SHOCK

- Turn off electrical power at fuse or circuit breaker box before wiring fixture to the power supply.
- Turn off the power when you perform any maintenance.
- Verify that supply voltage is correct by comparing it with the luminaire label information.
- Make all electrical and grounded connections in accordance with the National Electrical Code and any applicable local code requirements.
- All wiring connections should be capped with UL approved wire connectors.

CAUTION: RISK OF INJURY

- Wear gloves and safety glasses at all times when removing luminaire from carton, installing, servicing or performing maintenance.
- Avoid direct eye exposure to the light source while it is on.
- Account for small parts and destroy packing material, as these may be hazardous to children.

WARNING: RISK OF BURN

- Allow fixture to cool before handling. Do not touch enclosure or light source.
- Do not exceed maximum wattage marked on luminaire label.
- Follow all lamp manufacturer's warnings, recommendations and restrictions for: driver type, burning position, mounting locations/methods, replacement, and recycling.
- Use only lamps that comply with ANSI standards.

CAUTION: RISK OF FIRE

- Keep combustible and other materials that can burn away from luminaire and lamp/lens.
- Minimum 90° C supply conductors.

FIXTURE PACKING LIST

Description	Quantity
1) Plastic Fixture Housing	1
2) Diffuser	1
3) Wireway Cover	1
4) Latch	10
5) Water Tight Fitting	1
6) Screws	4
7) Wire Nut *	3
8) Wood Screw #8-32 x 1½" *	2
9) Screw #8-32 x 3" & Toggle Nut*	2
10) Washer *	2
11) Rubber Washer *	2
12) Chain and Hook assembly *	2

*Contained in Parts Pack

Water-tight fitting and Mounting Hardware Included-

REQUIRED TOOLS

- Safety glasses
- Ruler/Tape measure
- Flat blade screwdriver
- Phillips screwdriver
- Adjustable wrench
- Drill
- 3/32" Drill Bit
- 3/16" Drill Bit
- 1/2" Drill Bit
- Pliers

PREPARE FIXTURE FOR INSTALLATION

1. Open latches (4) by pressing outward to disengage from diffuser (2). Remove Diffuser (2).
2. Open wireway cover (3) by removing the four screws (6) w/ a phillips head screw driver.
3. **Remove fixture components and parts pack(s).** Check that all parts are included. **See Fig 1.**
4. Disassemble conduit fitting (5) installed on end of Fixture Housing (1).

FLUSH MOUNT (CEILING/WALL)

If mounting to a metal surface- additional hardware will need to be purchased.

5. Locate the two screw boss locations on inside of fixture housing (see fig 2). Drill 3/16" holes through the center of each boss.
6. **Mark location for two mounting holes** 20" apart on mounting surface and drill 3/32" pilot holes.

If drill encounters ceiling joist, drill 3/32" pilot holes in joist for mounting with 1½" wood screws.

First place a metal flat washer (10) onto 1½" screw (8). Then place a rubber washer (11) onto wood screw (8). Insert 1½" wood screw (8) through hole in plastic housing (1). The rubber washer (11) should be against the inside for plastic housing (1) when installed correctly. **See Fig. 3.** Tighten screws to secure fixture. (Do not over tighten screws- could damage housing).

If drill does not encounter ceiling joist, drill a 1/2" hole in mounting surface for mounting with toggle nut and 3" screw.

First, place a metal flat washer (10) onto 3" screw (9). Then, place a rubber washer (11) onto the 3" screw. Insert screw through hole in plastic housing (1). The rubber washer (11) should be against the inside of plastic housing (1) when installed correctly. **See Fig. 4**

Screw toggle nut onto 3" screw approx. 1/4". Push toggle nut into pre-drilled hole. Push screw into hole until toggle expands. **See Fig. 4.** Tighten screw to secure fixture. (Do not over tighten screws- could damage housing).



Screw Boss

Fig 2

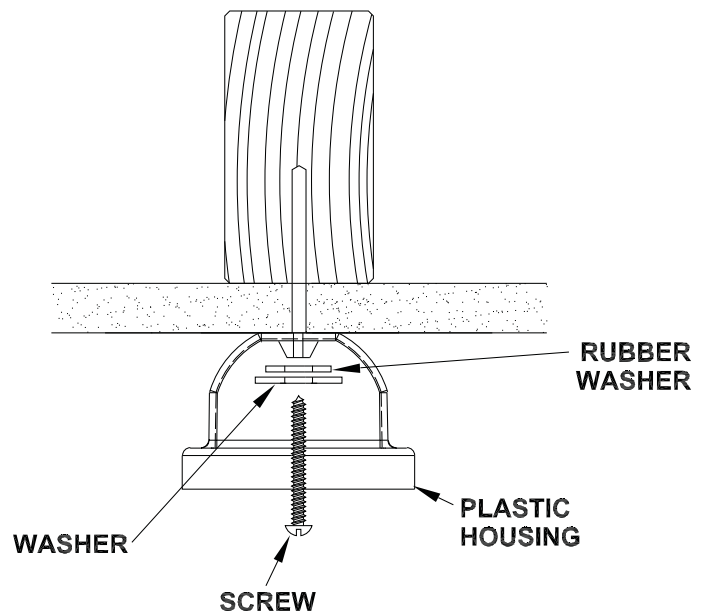


Fig 3

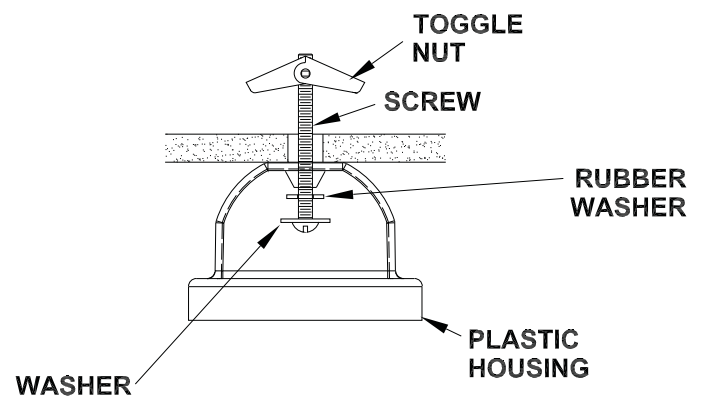


Fig 4

WIRING AND FIXTURE OPERATION

CAUTION: Connect fixture to supply wires rated for at least 90°C (194°F). Do not use fixture on dimming circuits.

NOTE: 3/8" Waterproof conduit required for use with supplied watertight fitting.



Fig 5

7. Locate components removed from fitting (5).
8. Insert the locknut onto the watertight conduit.- See Fig 5
9. Insert the sealing ring onto the conduit with the tapered end toward the end of the conduit. Insert the metal cone into the end of the conduit. See Fig 5
10. Feed incoming power cord through conduit into fixture. Make sure enough wire is fed into fixture to reach center of fixture. See Fig 6
11. Insert conduit assembly into fitting installed on end of fixture. Securely tighten locknut onto fitting. See Fig 7
12. With chain and hook assemblies (11) supplied, suspend wire way cover (3) from housing (1) to support cover during wire connections.- See Fig 8
13. Make wire connections by connecting bare copper or green supply wire to both green fixture wires with wirenut (7). Connect black supply wire to black fixture wire and white supply wire to white fixture wire with wirenut.



Fig 6



Fig 7

For proper connection- place wirenut over wires, twist clockwise until tight.

14. Bundle wires together and position inside wire way.
15. Remove chain and hook assembly (11) and position wireway cover onto fixture opening making sure wires are not pinched between housing and cover. Secure with four screws.
16. To install lens (2)- position lens onto fixture housing (1). Edge of lens should be positioned in gasket area on the perimeter of housing. Slide latches (4) over edge of lens. When latch is fully engaged it will produce a "snap" sound. Repeat for all remaining latches.
17. Installation is complete. Turn on electricity at fuse or circuit breaker box.

Before cleaning- turn off power.

For best results, plastic panels should be washed with soap or mild detergent. Rinse with clear water and allow to air dry.



Fig 8

LED LIGHTING TROUBLESHOOTING GUIDE

If this fixture fails to operate properly, use the guide below to diagnose and correct the problem.

- Verify that fixture is wired properly.
- Verify that fixture is grounded correctly.
- Verify the line voltage at the fixture is correct.

If further assistance is required, contact:
Technical Support at: (800) 315-4963

This LED light provides low maintenance service with no lamps to change. Clean surfaces with mild soap and water. Do not use abrasive materials such as scouring pads or powders, steel wool or abrasive paper.

GUIDE DE DÉPANNAGE POUR L'ÉCLAIRAGE LED

Si l'appareil ne fonctionne pas adéquatement, veuillez vous servir du guide ci-dessous afin d'identifier et corriger le problème.

- Remplacer toute lampe défectueuse.
- Vérifier si le câblage de l'appareil est bien fait.
- Vérifier si la mise à la terre de l'appareil est adéquate.
- Vérifier la tension de secteur de l'appareil.

Pour toute autre assistance, veuillez contacter nos services de support technique :

Technical Support: (800) 315-4963

Cette lampe à détecteur de mouvement DEL nécessite peu d'entretien et il n'y a aucune ampoule à changer. Nettoyez les surfaces avec un produit doux non abrasif.

GUÍA DE LOCALIZACIÓN DE AVERÍAS PARA ILUMINACIÓN LED

Si este luminario falla de operar apropiadamente, use la siguiente guía para diagnosticar y corregir el problema.

- Reemplace la(s) lámpara(s) defectiva(s)
- Verifique que el luminario este alambrado apropiadamente.
- Verifique que el luminario este conectado tierra correctamente.
- El voltaje de la línea en el luminario este correcto

Si requiere ayuda adicional, contacte:
Technical Support: (800) 315-4963

Esta lámpara LED con detector de movimiento necesita muy poco mantenimiento y no es necesario