

# Parabolics

## 2'x2' and 2'x4'



## FEATURES

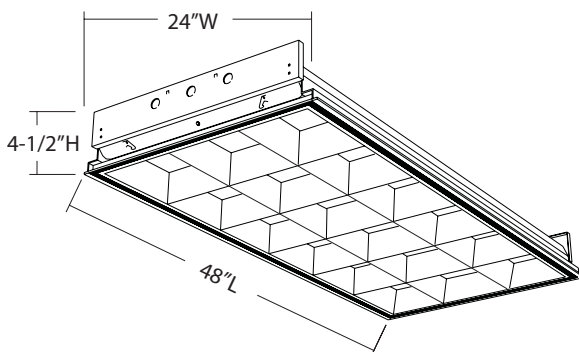
- Designed for use in open area applications where optical control, visual comfort and light cut-off are important
- Hemmed sides and ends provide smooth edges for easy handling during installation
- Mitered corners and interlocking construction assure precise parabolic shaped louver
- Integral T-bar safety clips hold fixture to T-bar securely; no fasteners required
- Hinges die-formed for maximum strength
- Spring action latches concealed in black reveal
- 2'x4' features 18-cell louver with semi-specular (Diffuse) finish; 2'x2' features 9-cell louver in same finish

## ORDERING INFORMATION

Catalog Number	UPC	Description	# of Lamps	Wattage	# of Ballast	Voltage	Ballast Type	Pre-Wired	Lamp Included	Lamp Type	Pallet Qty.	Standard Carton Qty.
PT3 MV	745975079155	2x4 Recessed, Static	3	32	1	120 - 277	NEMA Premium®, Instant Start	N	N	—	20	1
PT3L MV	745975079421	2x4 Recessed, Static	3	32	1	120 - 277	NEMA Premium®, Instant Start	N	Y	700 series, 3500K	20	1
PT3LW MV	745975079360	2x4 Recessed, Static	3	32	1	120 - 277	NEMA Premium®, Instant Start	Y	Y	700 series, 3500K	20	1
PT3 2MV	745975118373	2x4 Recessed, Static	3	32	2	120 - 277	NEMA Premium®, Instant Start	N	N	—	20	1
PT3A MV	745975079513	2x4 Recessed, Air	3	32	1	120 - 277	NEMA Premium®, Instant Start	N	N	—	20	1
PT2U MV	745975079247	2x2 Recessed, Static	2	32-U lamp	1	120 - 277	NEMA Premium®, Instant Start	N	N	—	40	1

## DIMENSIONS

PT3 2x4 – 18 Cell



PT2U 2x2 – 9 Cell

