

LED MR

FEATURES

LED MR retrofit lamps are high quality replacements for 40W incandescent lamps. Consuming only 5W and lasting 20x longer than the standard incandescent lamp. These lamps are rated at 25,000 hours life with a color temperature of 2700K and 80 CRI.

- 25,000 hours rated life
- Instant-on with no warm up time
- Dimmable* 2700K Warm White light output
- For use in indoor environments
- c/UL/us listed
- RoHS compliant

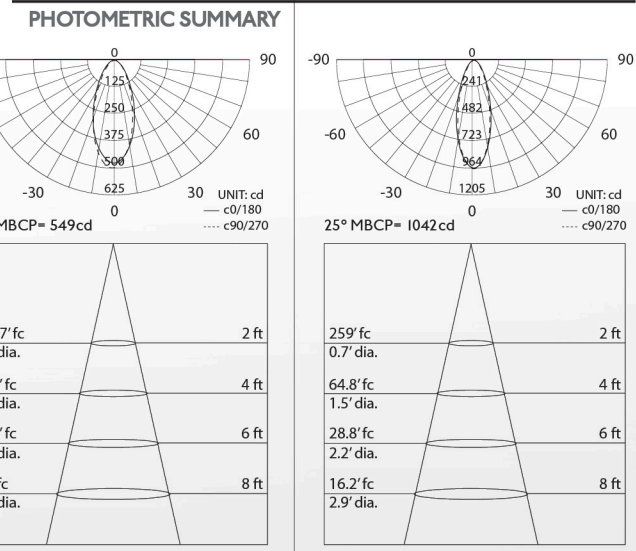
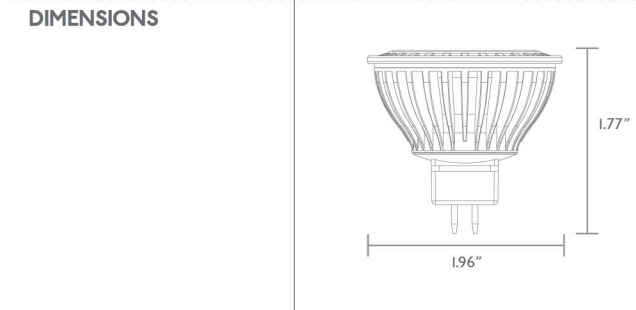
Best suited applications:

Commercial/Office
 Conference Rooms
 Entryways
 Hospitality
 Lobbies
 Museums
 Restaurants
 Retail

*Dimmable 10-100% when using triac dimmers. Compatible dimmers include: Lutron S-600P, DVELV-300P, and DVCL-153P among others



PRODUCT	LED MR 16
MODEL No.	See Ordering Information
LED TYPE	CREE LED
ENERGY STAR RATED	NO
WATTAGE	5W
VOLTAGE	12V DC/AC
DIMMABLE	YES*
LUMENS	270
COLOR TEMPERATURE	2700K
CRI	81
BEAM ANGLE	40°/25°
HOUR RATING	25,000
BASE	GU 5.3



ORDERING INFORMATION

27 — 5MR 16 —

40=40°
 25=25°