

USER MANUAL

LED INTERIOR BACKLIT TROFFERS

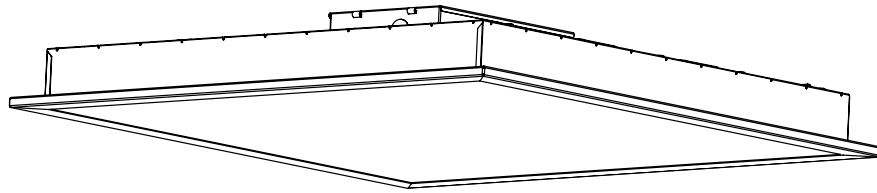


Table of Contents

Table of Contents	2	Hardware Included	3
Safety Information	2	Package Contents	3
Warranty	2	Installation to a suspended ceiling	5
Pre-Installation	3	Care and Cleaning	6
Planning Installation	3	Troubleshooting	7
Tools Required	3		

Safety Information



WARNING: Carefully read and understand the information given in this manual before beginning the assembly and installation. Failure to do so could lead to electric shock, fire, or other injuries which could be hazardous or even fatal.



WARNING: Ensure the electricity to the wires you are working on is shut off. Either remove the fuse or turn off the circuit breaker.



WARNING: Changes or modifications not expressly approved by the party responsible for compliance could void the user's authority to operate the equipment.

NOTICE: Do not use with dimmers.

NOTICE: This equipment has been tested and found to comply with the limits for a Class B digital device, pursuant to Part 15 of the FCC Rules.

These limits are designed to provide reasonable protection against harmful interference in a residential installation. This equipment generates, uses and can radiate radio frequency energy and, if not installed and used in accordance with the instructions, may cause harmful interference to radio communications.

However, there is no guarantee that interference will not occur in a particular installation.

If this equipment does cause harmful interference to radio or television reception, which can be determined by turning the equipment off and on, the user is encouraged to try to correct the interference by one or more of the following measures:

- Reorient or relocate the receiving antenna
- Increase the separation between the equipment and the receiver.
- Connect the equipment into an outlet on a circuit different from that to which the receiver is connected.
- Consult the dealer or an experienced radio/TV technician for help.

Warranty

WHAT IS COVERED

The manufacturer warrants this lighting fixture to be free from defects in materials and workmanship for a period of five (5) years from date of purchase. This warranty applies only to the original purchaser and only to products used in normal use and service. If this product is found to be defective, the manufacturer's only obligation, and your exclusive remedy, is the repair or replacement of the product at the manufacturer's discretion, provided that the product has not been damaged through misuse, abuse, accident, modifications, alterations, neglect, or mishandling.

WHAT IS NOT COVERED

This warranty shall not apply to any product that is found to have been improperly installed, set-up, or used in any way not in accordance with the instructions supplied with the product. This warranty shall not apply to a failure of the product as a result of an accident, misuse, abuse, negligence, alteration, faulty installation, or any other failure not relating to faulty material or workmanship. This warranty shall not apply to the finish on any portion of the product, such as surface and/or weathering, as this is considered normal wear and tear.

The manufacturer does not warrant and specifically disclaims any warranty, whether express or implied, of fitness for a particular purpose, other than the warranty contained herein. The manufacturer specifically disclaims any liability and shall not be liable for any consequential or incidental loss or damage, including but not limited to any labor / expense costs involved in the replacement or repair of said product.

Pre-Installation

PLANNING INSTALLATION

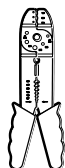
Read all instructions before assembly. Before starting installation of this fixture or removal of a previous fixture, disconnect the power by turning off the circuit breaker or by removing the fuse at the fuse box. To avoid damaging this product, assemble it on a soft, non-abrasive surface, such as carpet or cardboard.

This fixture can be installed in one method: 1) lays into a suspended ceiling.



NOTE: Keep your receipt and these instructions for proof of purchase.

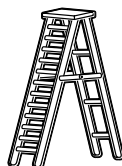
TOOLS REQUIRED



Wire Strippers



Safety Goggles



Ladder



Gloves



Flathead Screwdriver



Phillips Screwdriver



Electrical Tape



Wire Cutters

HARDWARE INCLUDED

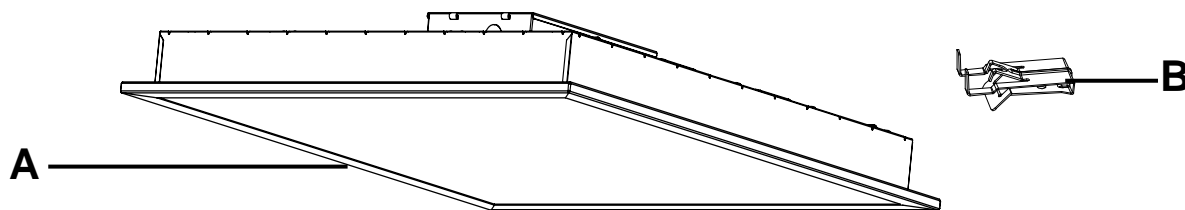


NOTE: Hardware not shown to actual size.



AA

Part	Description	Quantity
B	Earthquake clips	4



PACKAGE CONTENTS

Part	Description	Quantity
A	1' x 1', 2' x 2' or 1' x 4' Backlit Troffer	1
B	Earthquake clips	4

Installation to a suspended ceiling grid

1 Attaching the earthquake clips to the fixture body

- Attach the earthquake clips (B) on the fixture body two clips on two sides (C). (Fig.1)

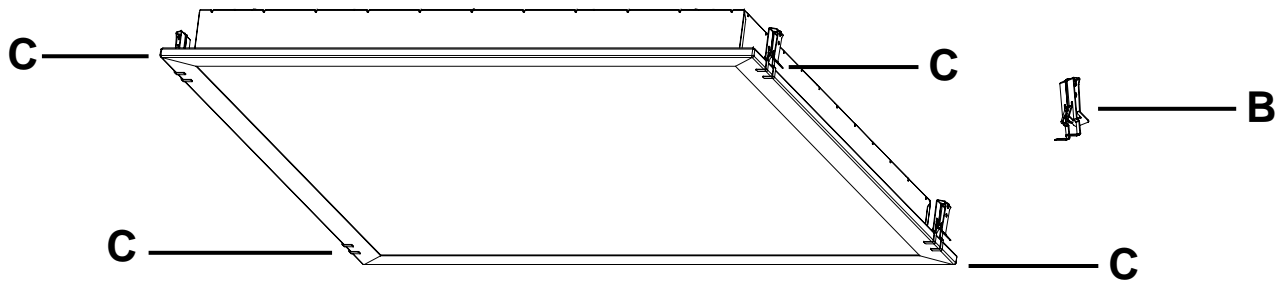


Fig.1

2 Installing the backlit troffer into the ceiling grid

- Remove 2 ceiling tiles. (Fig.2)

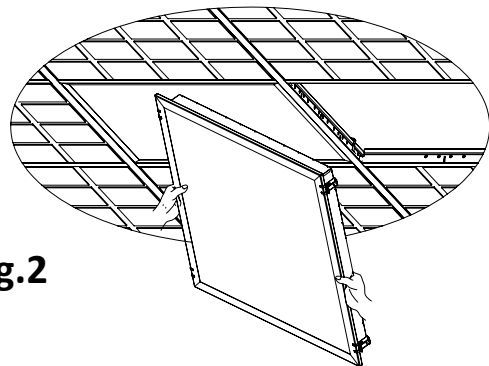


Fig.2

- Insert the troffer into the ceiling grid, attach the earthquake clips to the ceiling grid. (Fig.3)

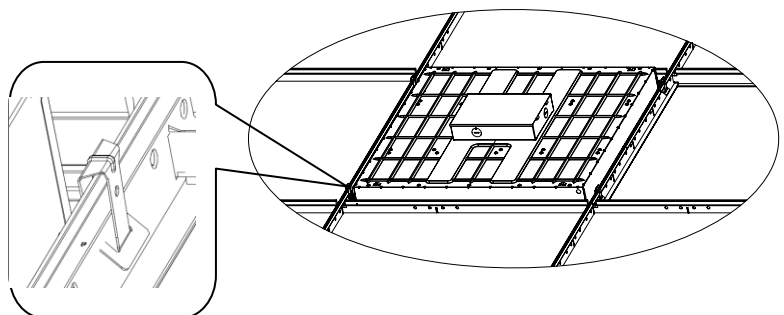


Fig.3

3 Making the electrical connections

- Open the driver box of the troffer. (Fig.4)
- Connect the white wire from the mains power supply to the white wire from the outlet box. (Fig.5)
- Connect the black wire from the mains power supply to the black wire from the outlet box. (Fig.5)
- Connect the ground wire from the mains power supply to the ground wire from the outlet box. (Fig.5)
- Cover the wire connections using the wire connectors (not provided). (Fig.6)
- Wrap the wire connections with electrical tape for a more secure connection.
- Insert the wires back inside the driver box of the troffer.
- Insert the backlit panel into the ceiling grid (Fig. 7)

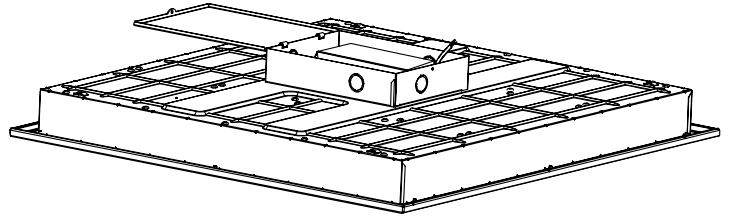


Fig.4

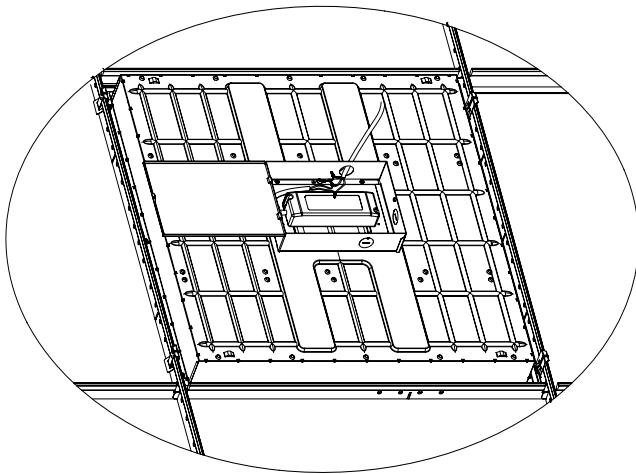


Fig.5

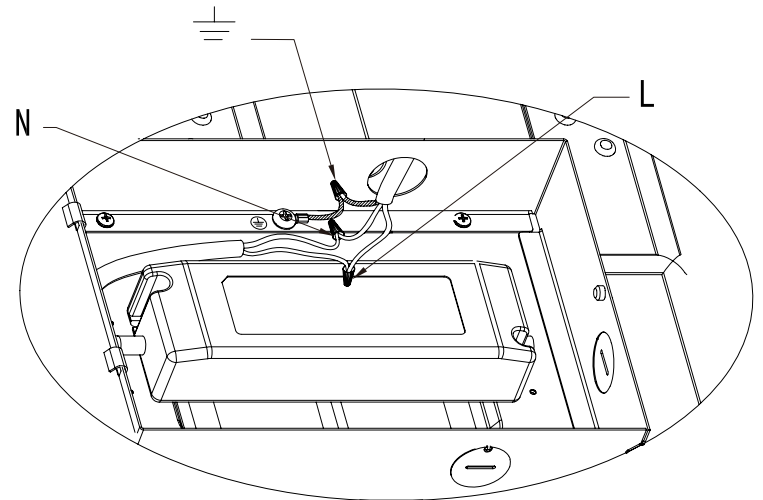


Fig.6

- Return the ceiling tile into the ceiling grid. (Fig. 8)

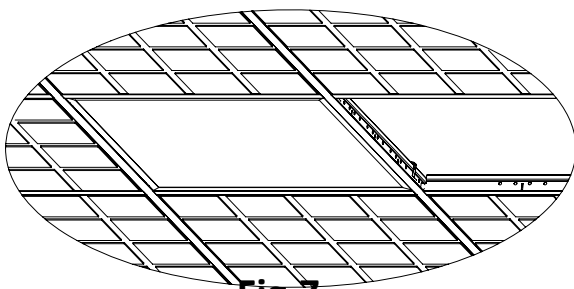


Fig.7

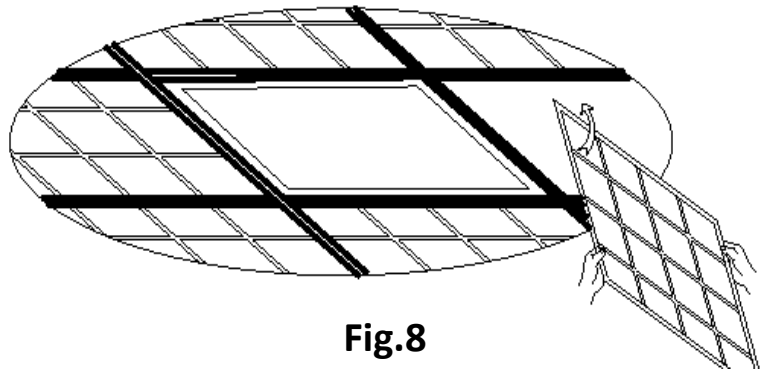


Fig.8

Care and Cleaning



CAUTION: Before attempting to clean the fixture, disconnect the power to the fixture by turning the breaker off or removing the fuse from the fuse box.

Clean the fixture with a soft, dry cloth.
Do not use any cleaners with chemicals, solvents, or harsh abrasives.

Troubleshooting

Problem	Possible Cause	Solution
The fixture will not light.	The power is off.	Ensure the power supply is on.
	The circuit breaker is off.	Ensure the circuit breaker is in the on position.
The fuse blows or the circuit breaker trips when the light is turned on.	The wires are crossed or the power wire is grounding out.	Check the wire connections.

ET  **SOLID STATE™
LIGHTING
INC.**