

sunlite®

INSTALLATION INSTRUCTIONS

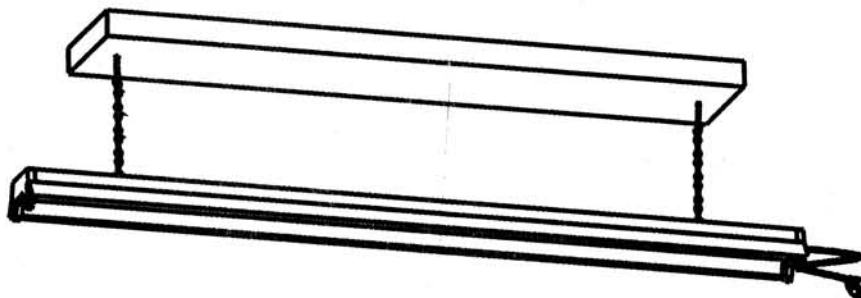
04692-SU | LFX/SHOP/48W/E/W | LED SHOPLIGHT FIXTURE

Please read and understand this entire manual before attempting to assemble, operate or install the product.



WARNING: Avoid fire or electric shock. Follow installation instructions carefully. If unsure about electrical installation, consult a qualified electrician. Wear rubber-soled shoes and work on a sturdy wooden ladder. Ground fixture to avoid potential electric shock. Handle metal parts carefully to prevent cuts. To avoid a hazard to children, account for all parts and destroy all packing materials. This device complies with part 18 of the FCC rules.

CAUTION: Turn off the power at fuse or circuit breaker box before installation and maintenance. **NOTE:** This fixture should be used on a 120-Volt fused circuit (check fixture labeling). Fixture must be installed according to National Electric Code and local building codes. If you are unsure about wiring, consult a qualified electrician. **DO NOT USE ON A DIMMING CIRCUIT.**



Introduction

An internal power-factor-corrected switch-mode supply allows it to be used from any nominal 120V-277V, 60Hz AC supply without any variation in light output.

Suitable for use in the following locations:

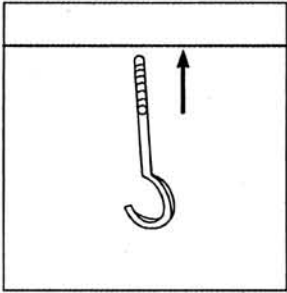
- Ambient Temp: -20~+50°C
- Indoor use only

Package Contents

- Fixture
- Chain with S Hook (x2)
- J Hook (x2)

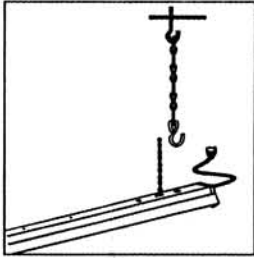
Installation

1



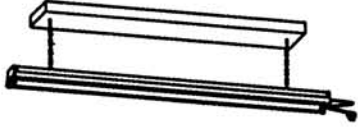
Install the J hooks into the ceiling exactly 36 inches apart.

2



Crimp one end of the S hooks to the holes on the fixture assembly. Attach the chains to the J hooks.

3



Your fixture is now installed and ready to operate.