



Finally, a True LED 50W MR16 Replacement Lamp.

REFINED

Design & Fit

The MR16's "perfect fit" global design simplifies the task of choosing the optimal lighting solution by providing greater compatibility with existing dimmers and transformers, making the Cree LED MR16 lamp ideal for retail and hospitality applications.

EXCEPTIONAL

Light Quality

Featuring Cree TrueWhite® Technology, the MR16 delivers >90 CRI with high R9 for superior color quality. Offering a choice of 15°, 25° or 40° beam spreads, Cree's MR16 Series provides targeted light distribution for highlighting merchandise and enhancing the atmosphere of any space.

REMARKABLE

Savings

The Cree MR16 LED lamp provides you with a payback of less than one year, using just 8.7 watts of energy. This impressive combination of greater than 80% energy savings and significant maintenance savings finally delivers a true replacement for halogen MR16 lamps.



15° Beam Angle



25° Beam Angle



40° Beam Angle

Performance Summary

Delivered Light Output: 540 lumens (15D), 580 lumens (25D), 584 lumens (40D)

Input Power: 8.7 watts (50W eq)

CRI: >90

CCT: 3000K

Beam Angle: 15°, 25° and 40°

CBCP: 4648 (15D), 2473 (25D), 1296 (40D)

Limited Warranty: 3 years

Lifetime: Designed to last 25,000 hours

Dimming: 5%

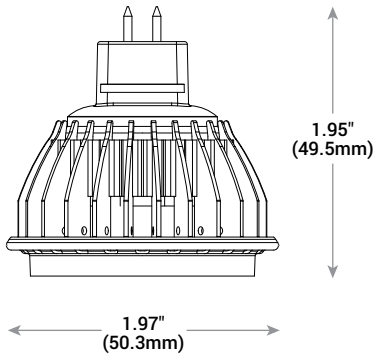
Construction & Materials

Durable die-cast aluminum housing with lens protects LEDs and optical system.

Fanless housing design and smart thermal circuit design with embedded intelligent software properly monitors the operating temperature range.

Slim housing design meets ANSI form factor for halogen lamps.

Dimensions



Beam Angles



15° Beam Angle



25° Beam Angle



40° Beam Angle

Cree IS LED Lighting

Visit www.cree.com/lighting or contact a Cree lighting representative to learn more.

