

## WARRANTY

The Nanolux ballast 3 year warranty will guarantee quick repairs or equipment swaps should you ever have a problem with your new unit. Nanolux warrants this ballast to be free from defects in material and workmanship. Equipment faults caused by misuse, abuse, or failure to follow instructions are not covered by warranty. For warranty service, please return the ballast with the original sales receipt and packaging to your place of purchase.

Thank you for your support to the Nanolux Electronic Ballast. We believe this to be the best garden lighting available and we are proud to continue serving you!

For more information about Nanolux product please visit [nanoluxtech.com](http://nanoluxtech.com)



**PATENTED PRODUCTS, COUNTERFEITING NOT ALLOWED.**

Designed by NANOLUX in California  
Assembled in China

# OPERATING MANUAL

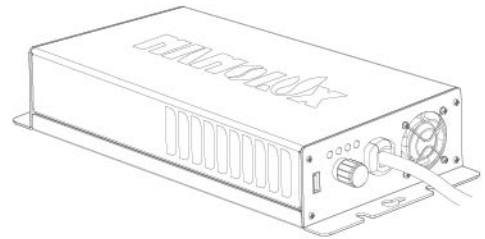
DIGITAL ELECTRONIC

## BALLAST

1000W/600W/400W/250W  
wireless version

**OG SERIES**

**THE ORIGINAL NANO DESIGN**



Super-Lux 100% 75% 50%



Nanolux Cloud Control System  
Compatible

**NANOLUX**

[www.nanoluxtech.com](http://www.nanoluxtech.com)

*Illuminating Your Grow*

## PLEASE READ THESE INSTRUCTIONS FIRST BEFORE INSTALLATION

Big things DO come in little packages!!! The revolutionary new Nanolux Ballast is about to change everything you expect from the driving source of any indoor garden, YOUR LIGHTING!!! This ballast is the smallest, lightest, and most stable ballast on the market today.

The Nanolux ballast OG series is the **Authentic Original Nano** design on the market.

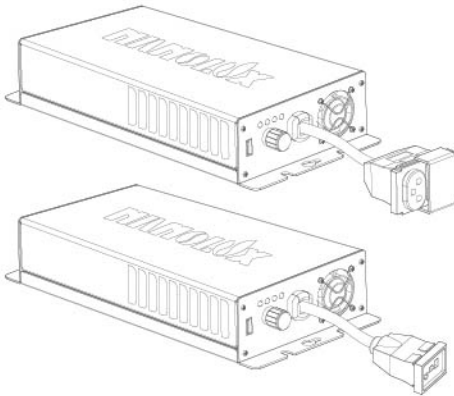
In addition to the popular dimming function, which allows you to operate your ballast at Super-lux, 100%, 75% and 50% power, we have also incorporated our new Random Start and NCCS system.

Random Start, gives each ballast a 0-15 second window upon which it will strike the bulb. This allows for a less initial power draw when using multiple ballasts for larger installations.

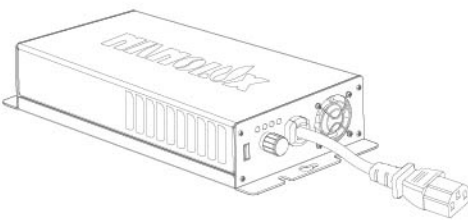
## PRODUCT PICTURES

The Nanolux OG series have different output leads in different markets. The detailed pictures are as below.

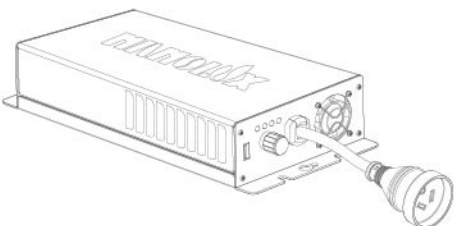
### NORTH AMERICAN & JAPANESE MARKET



### EUROPEAN & JAPANESE MARKET



### AUSTRALIAN MARKET



## SPECIFICATIONS

### 1) Input voltage range

**North American & Japanese market:**100-265VAC  
**European & Australian market:**165~265VAC

- 2) **Power Factor:** >0.99
- 3) **Crest Factor:** <1.7
- 4) **Total Harmonic Distortion (THD):** <10%
- 5) **Operating Temperature:** -30°C (-22°F) – 55°C (131°F)
- 6) **Output Frequency:** ≥ 30KHz
- 7) **Strikes both HPS and MH lamps**
- 8) **Strikes bulbs from up to 50ft**

## OPERATING INSTRUCTIONS

- 1) Install your new Nanolux ballast away from any potential heat or moisture sources. Although these units are made to withstand extreme gardening conditions, keeping the unit as cool and dry as possible will extend its life and not promote early failure.
- 2) Connect the output lead and socket to the lamp lead. (Ensure bulb is inserted properly)
- 3) Plug the power connection (cord is provided) into power supply socket.
- 4) Select your Dimming Selection: Super-lux, 100%, 75%, 50%
- 5) Ballast has been intergraded with our new Fan Safety-Check System: Fan will stop working when failure or obstruction. (Ignore if no fan)
- 6) Ballast will protect under and over voltage:  
**North America & Japan:** under (90Vac) and over voltage (290Vac)  
**Europe & Australia:** under (155Vac) and over voltage(290Vac)
- 7) Ballast will attempt to restart after 50 seconds, and programmed to shutdown automatically after 20 strike attempts for safety.
- 8) Ballast will automatically restart when the internal temperature is under 55°C (131°F).
- 9) Ballast with short or open circuit protection.
- 10) When using a NCCS RTU in the USB port of a Nanolux ballast, the Dimming function control dial on the ballast will be taken out of function.

## CAUTION

**Failure to observe the following warnings may result in serious injury. Warranties will be void if the following are not heeded.**

- 1) Use only HPS or MH bulbs. Do not use lamps referred to as 'retro' or 'conversion' lamps. Make sure the bulb matches the wattage of the highest output of the ballast.
- 2) Never unplug the power plug or detach lamp cord from socket without turning off the power supply first.
- 3) Make sure the power supply and lamp cable are connected properly and grounded.
- 4) Do not hang the ballast by the power or lamp cord.
- 5) Mount each unit at least 150mm (6inches) apart.
- 6) Do not attempt to open or modify the Nanolux Ballast, high power electrical devices can cause severe injury or death.
- 7) Ensure the unit does not come into contact with water.
- 8) Keep out of reach of children.

## CONTACT

If you have any questions or concerns about installing your new ballast, please contact [tech@nanoluxtech.com](mailto:tech@nanoluxtech.com) or a certified electrician. Care and maintenance of your Nanolux ballast is simple. Wipe the unit down with a clean, dry cloth periodically and keep the fans free from debris.