



# GLIMPSE 4"

Using just a fraction of the material of other LED downlight modules, Glimpse skimps on nothing when it comes to performance. Designed to mirror the form of a recessed downlight in application, Glimpse can be retrofit into 4" recessed downlight by simply replacing the existing Edison base lamp and trim or, unlike any of its competitors, be surface mounted to a 4" octagonal J-Box<sup>2</sup> as a luminaire.

## BENEFITS

- 550 lumen WW package provides up to 20% more light than similar competitor offerings
- Can be retrofit into most 4" recessed downlight or surface mounted for new construction applications
- Designed for a 50,000 Hour Life
- Available in 2700, 3000 or 4000K
- Environmentally friendly—contains no mercury or other hazardous materials
- IC rated when used in an approved IC rated recessed can

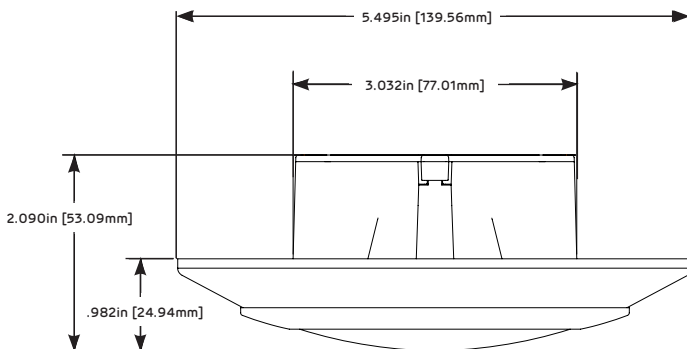
## PRODUCT ORDERING INFORMATION

EXAMPLE: LS GLP4 W27 120 WH S1 BX

| Brand | Product          | Temperature | Voltage     | Finish | Series      | Package      |          |    |        |
|-------|------------------|-------------|-------------|--------|-------------|--------------|----------|----|--------|
| LS    | Lighting Science | GLP4        | Glimpse     | W27    | White 2700K | 120 120 Volt | WH White | S1 | BX Box |
|       |                  | WW          | White 3000K |        |             |              |          |    |        |
|       |                  | NW          | White 4000K |        |             |              |          |    |        |

S1: Series  
BX: Individual Packaging

## DIMENSIONS



## FEATURES

|                       | W27                           | WW    | NW    |
|-----------------------|-------------------------------|-------|-------|
| Color Temperature     | 2700K                         | 3000K | 4000K |
| Lumen Output          | 525                           | 550   | 575   |
| Efficacy              | 58                            | 61    | 63    |
| Input Wattage         | 9 Watts                       |       |       |
| Designed Life         | 50,000 hrs                    |       |       |
| CRI                   | 80                            |       |       |
| Finish                | White                         |       |       |
| Voltage               | 120VAC                        |       |       |
| Weight                | .9 lbs                        |       |       |
| Operating Temperature | -20°C to +40°C (25°C nominal) |       |       |
| Warranty              | 5 year                        |       |       |
| Certifications        |                               |       |       |

Environment



## J-BOX INSTALLATION



## CAN INSTALLATION



<sup>1</sup> See dimmer compatibility chart page 2.

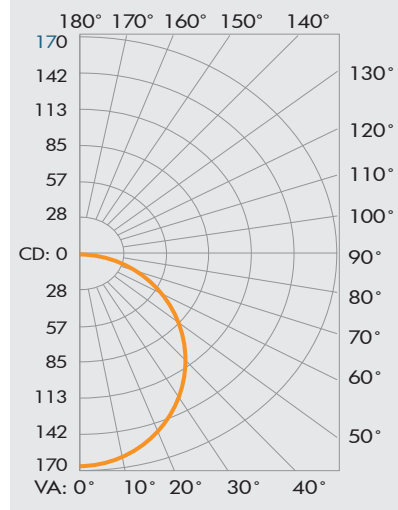
<sup>2</sup> Fits 4 octagonal J-Box with min. 2.125" depth

# GLIMPSE 4"

## ZONAL LUMEN SUMMARY

| Zone         | Lumens       | % Total     |
|--------------|--------------|-------------|
| 0-10         | 15.8         | 3.2%        |
| 10-20        | 45           | 9.30%       |
| 20-30        | 67.6         | 13.9%       |
| 30-40        | 81           | 16.7%       |
| 40-50        | 8.38         | 17.3%       |
| 50-60        | 76.3         | 15.7%       |
| 60-70        | 60.1         | 12.4%       |
| 70-80        | 38.5         | 7.9%        |
| 80-90        | 17.3         | 3.6%        |
| <b>Total</b> | <b>485.3</b> | <b>100%</b> |

## POLAR CANDELA DISTRIBUTION



## DIMMER COMPATIBILITY

|                |   |
|----------------|---|
| Lutron         | DV-600P, DV-603P, S-600, S-600P, TG 603P, MACL-153M |
| Pass & Seymour | Legrand Harmony H703PTUW, HCL453PTC                 |
| Leviton        | Decora Sureside 06674, 06672                        |

## RECESSED CAN COMPATIBILITY

|                     |  |
|---------------------|--|
| Halo                | H99RTAT, H99RT                               |
| All-Pro             | ET400R, EI400 ATSB, ET 400 ATSB, ET400R ATSB |
| Commercial Electric | HBR2000R, HBR2000BA                          |
| Juno                | TC1R, TC1, IC1                               |
| Lithonia Lighting   | L3, L3R                                      |

## J-BOX COMPATIBILITY

Works with most metal and PVC 4" x 4" octagonal J-boxes with min. 2.125" depth

## RECOMMENDED NUMBER OF FIXTURES PER 600W DIMMER<sup>2</sup>

While an LED fixture may draw as few as 9 watts continuously, it could have an in-rush current spike (maximum, instantaneous input) which may limit the number of fixtures you can install on one dimmer. The following table provides a recommended maximum quantity of Glimpse that should be used on a typical approved 600W dimmer.

| GLIMPSE | Lamp In-Rush Current Equivalent | Max # of Lamps per 600W Dimmer |
|---------|---------------------------------|--------------------------------|
| 4"      | 31W                             | 19                             |

## CAUTIONS

- Risk of Electric Shock. WARNING: LED Retrofit Kit installation requires knowledge of luminaries electrical systems. If not qualified, do not attempt installation. Contact a qualified electrician. Install this kit only in the luminaires that have the construction features and dimensions shown in the installation guide. Do not leave any open holes in an enclosure of wiring or electrical components. Only those open holes indicated in the installation drawings may be made or altered as a result of kit installation.
- To prevent wiring damage or abrasions, do not expose wiring to edges of sheet metal or other sharp objects.
- To prevent early lamp failure, lamp should only be used in operating environments ranging from -20° C to +40° C
- Disconnect power at fuse or circuit breaker before installing or servicing.
- This product is not intended for use in emergency light fixtures or exit signs.
- Turn off power before inspection, installation, or removal.
- The Glimpse is suitable for Damp Locations
- The Luminaire is a retrofit conversion for use with recessed incandescent ceiling fixtures identified in the manufacturers installation instructions at [www.LSGC.com](http://www.LSGC.com).
- This device complies with Part 15 of the FCC rules and has been tested and found to comply with the limits for a Class B digital device. These limits are designed to provide reasonable protection against harmful interference in a residential installation. This equipment generates, uses and can radiate radio frequency energy and, if not installed and used in accordance with the instructions, may cause harmful interference to radio communications. Any changes or modifications not expressly approved by the manufacturer could void the user's authority to operate the equipment.

## COEFFICIENTS OF UTILIZATION

| Effective Floor Cavity Reflectance: 20% |      |      |      |      |      |      |      |      |      |      |      |      |      |      |      |      |      |      |    |    |   |      |  |
|---|------|------|------|------|------|------|------|------|------|------|------|------|------|------|------|------|------|------|----|----|---|------|--|
| RCC %: 80                               |      |      |      | 70   |      |      |      | 50   |      |      |      | 30   |      |      |      | 10   |      |      |    | 0  |   |      |  |
| RW %:                                   | 70   | 50   | 30   | 0    | 70   | 50   | 30   | 0    | 50   | 30   | 20   | 50   | 30   | 20   | 50   | 30   | 20   | 50   | 30 | 20 | 0 |      |  |
| RCR: 0                                  | 1.19 | 1.19 | 1.19 | 1.19 | 1.16 | 1.16 | 1.16 | 1.00 | 1.11 | 1.11 | 1.11 | 1.06 | 1.06 | 1.06 | 1.02 | 1.02 | 1.02 | 1.00 |    |    |   | 1.00 |  |
| 1                                       | 1.08 | 1.03 | 0.98 | 0.94 | 1.05 | 1.00 | 0.96 | 0.83 | 0.96 | 0.93 | 0.89 | 0.92 | 0.89 | 0.87 | 0.89 | 0.86 | 0.84 | 0.82 |    |    |   | 0.82 |  |
| 2                                       | 0.98 | 0.89 | 0.82 | 0.76 | 0.95 | 0.87 | 0.81 | 0.69 | 0.84 | 0.78 | 0.73 | 0.80 | 0.76 | 0.72 | 0.77 | 0.73 | 0.70 | 0.68 |    |    |   | 0.68 |  |
| 3                                       | 0.89 | 0.78 | 0.70 | 0.63 | 0.86 | 0.76 | 0.69 | 0.58 | 0.73 | 0.67 | 0.61 | 0.71 | 0.65 | 0.60 | 0.68 | 0.63 | 0.59 | 0.57 |    |    |   | 0.57 |  |
| 4                                       | 0.81 | 0.69 | 0.60 | 0.53 | 0.79 | 0.68 | 0.59 | 0.50 | 0.65 | 0.58 | 0.52 | 0.63 | 0.56 | 0.51 | 0.61 | 0.55 | 0.51 | 0.48 |    |    |   | 0.48 |  |
| 5                                       | 0.75 | 0.62 | 0.52 | 0.46 | 0.73 | 0.61 | 0.52 | 0.44 | 0.58 | 0.51 | 0.45 | 0.56 | 0.50 | 0.44 | 0.54 | 0.49 | 0.44 | 0.42 |    |    |   | 0.42 |  |
| 6                                       | 0.69 | 0.55 | 0.46 | 0.40 | 0.67 | 0.55 | 0.46 | 0.38 | 0.53 | 0.45 | 0.39 | 0.51 | 0.44 | 0.39 | 0.49 | 0.43 | 0.39 | 0.36 |    |    |   | 0.36 |  |
| 7                                       | 0.64 | 0.50 | 0.41 | 0.35 | 0.62 | 0.49 | 0.41 | 0.34 | 0.48 | 0.40 | 0.35 | 0.46 | 0.40 | 0.34 | 0.45 | 0.39 | 0.35 | 0.32 |    |    |   | 0.32 |  |
| 8                                       | 0.60 | 0.46 | 0.37 | 0.31 | 0.58 | 0.45 | 0.37 | 0.31 | 0.44 | 0.36 | 0.31 | 0.43 | 0.36 | 0.36 | 0.41 | 0.35 | 0.31 | 0.29 |    |    |   | 0.29 |  |
| 9                                       | 0.56 | 0.42 | 0.34 | 0.28 | 0.54 | 0.42 | 0.34 | 0.28 | 0.40 | 0.33 | 0.28 | 0.39 | 0.33 | 0.28 | 0.38 | 0.32 | 0.28 | 0.26 |    |    |   | 0.26 |  |
| 10                                      | 0.52 | 0.39 | 0.31 | 0.26 | 0.51 | 0.38 | 0.31 | 0.25 | 0.37 | 0.30 | 0.25 | 0.36 | 0.30 | 0.25 | 0.35 | 0.29 | 0.25 | 0.23 |    |    |   | 0.23 |  |

## IN THE BOX

Whether as a retrofit module or surface mount luminaire, everything you need is included for quick installation

- |                                |                                |
|--------------------------------|--------------------------------|
| Fixture                        | • (1) #8 sheet metal screw     |
| Edison base adaptor            | • (3) wire nuts                |
| Accessory kit                  | • (1) instruction sheet        |
| • (2) 8-32 1 1/2" j-box screws | • (1) J-box adaptor            |
| • (2) 8-32 3/4" j-box screws   | • (4) Snap in mounting springs |
| • (1) #8 nut                   |                                |

<sup>1</sup> Visit [www.lsgc.com/dimmer](http://www.lsgc.com/dimmer) for dimmer compatibility

<sup>2</sup> Dimmer compatibility list indicates those dimmers that have been tested and operate properly under normal conditions. In certain cases, approved dimmers are offered in higher wattage varieties that are also compliant and allow the installation of additional lamps if kept within the maximum inrush current equivalent provided in the table. Each application is unique and various factors such as load, common neutrals or other electrical products on the circuit can, in certain instances, cause variance in system performance. Consult dimming system manufacturer for additional support in operation.