



# GLIMPSE 6"

Using just a fraction of the material of other LED downlight modules, Glimpse skimps on nothing when it comes to performance. Designed to mirror the form of a recessed downlight in application, Glimpse can be retrofit into 5" or 6" recessed downlights by simply replacing the existing Edison base lamp and trim or, unlike any of its competitors, be surface mounted to a square J-Box<sup>2</sup> as a luminaire.

Able to replace 65W BR30 lamps and still provide up to 20% more light than similar competitive products in 2700, 3000 and 4000 Kelvin temperatures at a minimum 80 CRI, Glimpse consumes just 13 watts of energy providing energy savings of 80%.

## BENEFITS

- 750 lumen WW package provides up to 20% more light than similar competitor offerings
- Can be retrofit into most 5" or 6" recessed downlights or surface mounted for new construction applications
- Designed for a 50,000 Hour Life (LM-80; TM-21)
- Dimmable to 10%<sup>1</sup>
- Available in 2700, 3000 or 4000K
- Environmentally friendly - contains no mercury or other hazardous materials
- IC compliant when used in an approved IC rated recessed can

## PRODUCT ORDERING INFORMATION

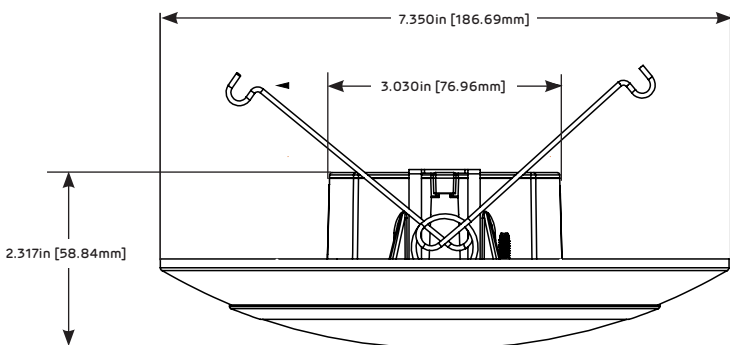
EXAMPLE: LS GLP6 W27 120 WH S1 BX

Brand	Product	Temperature	Voltage	Finish	Series	Package
LS Lighting Science	GLP6 Glimpse	W27 White 2700K	120 120 Volt	WH White	S1	BX Box
		WW White 3000K				
		NW White 4000K			S1: Series BX: Individual Packaging	

## FEATURES

	W27	WW	NW
Color Temperature	2700K	3000K	4000K
Lumen Output	700	750	775
Efficacy	54	58	60
Input Wattage	13 Watts		
Designed Life	50,000 hrs		
CRI	80		
Finish	White		
Voltage	120V		
Dimmable	To 10%		
Weight	1.29 lbs		
Operating Temperature	-20°F to +40°F (25°C nominal)		
Warranty	5 year		
Certifications	UL1598 UL1598C 		
Environment			

## DIMENSIONS



## J-BOX INSTALLATION



## CAN INSTALLATION



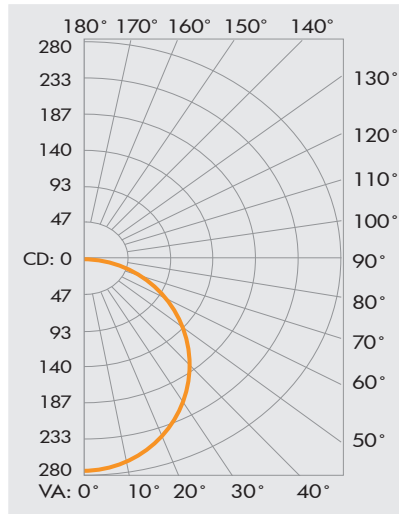
<sup>1</sup> See dimmer compatibility chart page 2.  
<sup>2</sup> Fits square J-Box with min. 2.125" depth

# GLIMPSE 6"

## ZONAL LUMEN SUMMARY GLP6 WW WH

Zone	Lumens	% Total
0-60	636	76.7%
60-90	189.3	22.8%
0-90	825.3	99.5%
90-180	4.4	0.5%
0-180	829.7	100%

## POLAR CANDELA DISTRIBUTION GLP6 WW WH



## IN THE BOX

Whether as a retrofit module or surface mount luminaire, everything you need is included for quick installation

Fixture	• (1) #8 nut
Edison base adaptor	• (1) #8 sheet metal screw
Accessory kit	• (3) wire nuts
• (2) 8-32 1/2" j-box screws	• (1) instruction sheet
• (2) 8-32 3/4" j-box screws	• (1) J-box adaptor
• (2) 6-32 3/4" sheet metal (pointed) screws	

## CAUTIONS

- Risk of Electric Shock. WARNING: LED Retrofit Kit installation requires knowledge of luminaires electrical systems. If not qualified, do not attempt installation. Contact a qualified electrician. Install this kit only in the luminaires that have the construction features and dimensions shown the installation guide. Do not leave any open holes in an enclosure of wiring or electrical components. Only those open holes indicated in the installation drawings may be made or altered as a result of kit installation.
- To prevent wiring damage or abrasions, do not expose wiring to edges of sheet metal or other sharp objects.
- To prevent early lamp failure, lamp should only be used in operating environments ranging from -20° C to +40° C
- Disconnect power at fuse or circuit breaker before installing or servicing.
- This product is not intended for use in emergency light fixtures or exit signs.
- Turn off power before inspection, installation, or removal.
- The Glimpse is suitable for damp locations
- Use only on 120 VAC, 60Hz circuits
- The Luminaire is a retrofit conversion for use with recessed incandescent ceiling fixtures identified in the manufacturers installation instructions at [www.LSGC.com](http://www.LSGC.com).
- This device complies with Part 15 of the FCC rules and has been tested and found to comply with the limits for a Class B digital device. These limits are designed to provide reasonable protection against harmful interference in a residential installation. This equipment generates, uses and can radiate radio frequency energy and, if not installed and used in accordance with the instructions, may cause harmful interference to radio communications. Any changes or modifications not expressly approved by the manufacturer could void the user's authority to operate the equipment.

Specifications supplied are nominal.

<sup>1</sup>Dimmer compatibility list indicates those dimmers that have been tested and operate properly under normal conditions. In certain cases, approved dimmers are offered in higher wattage varieties that are also compliant and allow the installation of additional lamps if kept within the maximum inrush current equivalent provided in the table. Each application is unique and various factors such as load, common neutrals or other electrical products on the circuit can, in certain instances, cause variance in system performance. Consult dimming system manufacturer for additional support in operation.

## DIMMER COMPATIBILITY

Lutron	DV-600P, DV-603P, S-600, S-600P, TG 603P, MACL-153M
Pass & Seymour	Legrand Harmony H703PTUW, HCL453PTC
Leviton	Decora Sureslide 06674, 06672

## RECESSED CAN COMPATIBILITY

Halo	H71CAT, H7RICAT, H7ICT, H7RICT, H7ICATNB, H7ICTNB, H7T, H7RT, H7TNB, H7TCP, H7UICAT, H7UICATNB, H27RICAT, H27ICT, H27RICT, H27T, H27RT, H5ICAT, H5RICAT, H5T, H5RT, H25ICAT
All-Pro	EI500AT, EI500RAT, ET500, ET500R, EI700AT, EI700RAT, EI700ATNB, EI700, EI700R, EI700NB, ET700, ET700R, EI700U, EI700UAT, EI2700AT, EI2700, EI2700R, ET2700, ET2700R
Capri	CR1, PR1, QL1, R9ASIC
Commercial Electric	H3, H17, H18
Elco	EL71CA
Juno	ICC22/R/W/S, IC23/W, IC21/R, TC2/R, IC20, IC25/W/S, TC20
Lithonia	L7X, L7XP
Prescolite	IBXS
Progress	P87
SeaGull	11018, 11028, 11118, 11128, 1128
Thomas	PS1, PS9RM

## RECESSED CAN DISCONNECT COMPATIBILITY

Halo	H750ICAT, H750RICAT, H750T, H750TCP
------	-------------------------------------

## J-BOX COMPATIBILITY

Works with most metal 4" x 4" square J-Boxes with min. 2.125" depth

## RECOMMENDED NUMBER OF FIXTURES PER 600 WATT DIMMER<sup>1</sup>

While an LED fixture may draw as few as 13 watts continuously, it could have an in-rush current spike (maximum, instantaneous input) which may limit the number of fixtures you can install on one dimmer. The following table provides a recommended maximum quantity of Glimpse that should be used on a typical approved 600W dimmer.

GLIMPSE	Lamp In-Rush Current Equivalent	Max # of Lamps per 600W Dimmer
6"	31W	19