



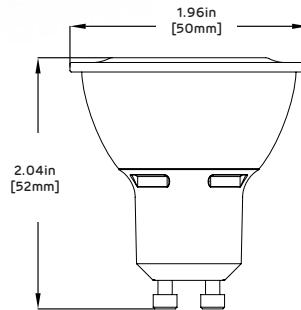
MR16 GU10

Benefits

- Only 6W/8W - Requires 80% less power than comparable 35 watt Halogen lamp.
- Maintenance free operation, lasts up to 11 times longer than halogen lighting.
- Beam distributions of 25° and 40°
- Dimmable to 10% on most dimmers

FEATURES¹

Equivalent Source	Up to 35W /50W Halogen
Rated Life	25,000 hours
Housing	Aluminum
Socket	GU10 base
Beam Spread	40°, 25° Narrow Flood, Flood
Operating Temperature	-20°C to +40°C
MOL	2.09 in, 53.08mm
Voltage	120 VAC
Power Factor	≥.7
Weight	0.2lbs., 90.7g
Warranty	5 year limited



Specifications supplied are nominal. Please refer to the DOE's Lighting Facts Tolerance Guidelines.
¹ Values are nominal, advances from further innovation, specifications are subject to change.

ORDERING INFORMATION \ \ LS 16 35WE WW NFL GU10 120 S1 BX

Family	Product	Watt Equivalent	Color (CCT)	Distribution	Base	Voltage	Family	Packaging
LS Lighting Science	16 MR16	35WE 35W Equivalent	W27 Warm White 2700K	FL Flood	GU10 GU10 Base	120 120 Volt	S1 S1	BX Box
		50WE 50W Equivalent	WW Warm White 3000K	NFL Narrow Flood				

NORTH AMERICAN CERTIFICATIONS



ENVIRONMENT



MR16 GU10

DIMMER CAPABILITIES¹

Lutron

C*L Series : Diva/Skylark/Ariandi/Toggler/Diva

MR16 GU10

Part Number	Base Type	Wattage	Beam Angle	Lumens	Efficacy	CRI	CBCP
LS 16 35WE W27 NFL GU10 S1 BX	GU10	6W	25	360	60	80	1601
LS 16 35WE W27 FL GU10 S1 BX	GU10	6W	40	360	60	80	791
LS 16 35WE WW NFL GU10 120 S1 BX	GU10	6W	25	380	63	80	1601
LS 16 35WE WW FL GU10 120 S1 BX	GU10	6W	40	380	63	80	791
LS 16 50WE W27 NFL GU10 120 S1 BX	GU10	8W	25	470	59	80	2323
LS 16 50WE W27 FL GU10 120 S1 BX	GU10	8W	40	470	59	80	1147
LS 16 50WE WW NFL GU10 120 S1 BX	GU10	8W	25	500	63	80	2323
LS 16 50WE WW FL GU10 120 S1 BX	GU10	8W	40	500	63	80	1147

NFL: Narrow Flood NW: Neutral White WW: Warm White W27: Soft White 2700K CW: Cool White CBCP: Center Beam Candle Power

Recommended number of lamps per 600 watt dimmer

While an LED lamp may draw as few as 10 watts continuously, it could have an in-rush current spike (maximum, instantaneous input) which may limit the number of lamps you can install on one dimmer. The following table provides a recommended maximum quantity of LS lamps that should be used on a typical approved 600W dimmer.

Ex: Max number of A19 60W lamps, with an 80W in-rush, that can be used on 600W dimmer = 7

LS LED Lamp	Lamp In-Rush Current Equivalent	Max # of Lamps per 600W Dimmer
LS16 35WE	98	6
LS16 50WE	83	7

Specifications supplied are nominal. Please refer to the DOE's Lighting Facts Tolerance Guidelines.

¹ Values are nominal, advances from further innovation, specifications are subject to change.



Visit www.lsgc.com/energystar for list of ENERGY STAR qualified lamps.



CAUTIONS

THIS DEVICE IS NOT INTENDED FOR USE WITH EMERGENCY EXITS. NOT FOR USE IN TOTALLY ENCLOSED FIXTURES. CAUTION: RISK OF SHOCK - DO NOT USE WHERE DIRECTLY EXPOSED TO WATER, TURN OFF POWER BEFORE INSPECTION, INSTALLATION, OR REMOVAL. DO NOT OPEN - NO USER SERVICEABLE PARTS INSIDE. Non-Standard lamp. Suitable for damp locations. Use only on 120 VAC, 60 Hz circuits. This device complies with part 15 of the FCC rules and has been tested and found to comply with the limits for a class B digital device. This Class B digital apparatus complies with Canadian ICES-003. These limits are designed to provide reasonable protection against harmful interference in a residential installation. This equipment generates, uses and can radiate radio frequency energy and, if not installed and used in accordance with the instructions, may cause harmful interference to radio communications. Any changes or modifications not expressly approved by the manufacturer could void the user's authority to operate the equipment. For complete details on our warranty and dimmer compatibility please visit www.lsgc.com/warranties and www.lsgc.com/dimmer.

Specifications are typical values and may change without notification.

©2014 Lighting Science Group Corporation. All rights reserved.