

B340R120HP

APPLICATION and PERFORMANCE SPECIFICATION

Description: High frequency electronic ballast for 3 F40T12 lamps (and others as indicated below)

- Line Voltage: 120vac, ±10%, 60Hz
- Parallel Lamp Operation
- Rapid Start
- Active Power Factor Correction

Lamps		Input Watts	Nominal Line Amps	Power Factor	Ballast Factor	Ballast Efficacy Factor	Harmonic Total	Crest Factor
Type	#							
F40T12	3	113	0.94	> .99	.88	.78	< 10%	< 1.7
F40T12	2	84	0.70	> .98	1.04	1.24	< 10%	< 1.7
F40T12ES	3	93	0.78	> .99	.86	.92	< 10%	< 1.7
F40T10	3	116	0.98	> .98	.90	.78	< 10%	< 1.7
F30T12	3	90	0.75	> .98	.91	1.01	< 10%	< 1.7
F30T12ES	3	76	0.64	> .98	.88	1.16	< 10%	< 1.7
*FT39W/2G11	3	106	0.89	> .99	.90	0.85	< 10%	< 1.7

Application and Performance Specification Information Subject to Change without Notification.

* End of lamp life recommended for this application per ANSI C78.901-2001, Part I, Sec. 13.8

Performance:

- Meets ANSI Standard C82.11-1993
- Meets ANSI Standard C62.41-1991
- Meets FCC Part 18 (Class A) for EMI and RFI
Non-Consumer Limits

Safety:

- No PCB's
- UL listed (Class P, Type 1 Outdoor)
- CSA Certified

Application:

- Minimum Starting Temperature:
Standard Lamps 50° F, 10° C
Energy Saving Lamps 60° F, 16° C
- Sound Rated: A
- Remote Mounting: 12 ft. max. lead length, 18 AWG

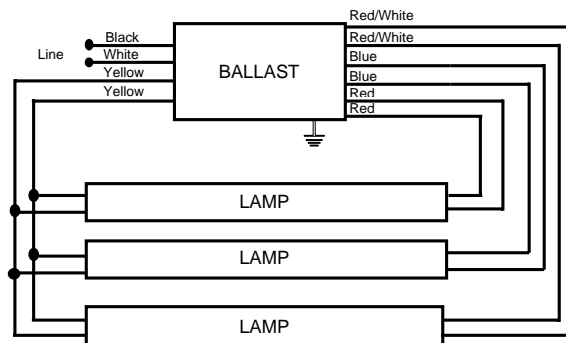
Physical Parameters

- Length: 9.50"
- Width: 2.40"
- Height: 1.55"
- Weight: 2.70 lbs.
- Lead Length: White, Black 25" (± 1")
- Red, Blue, Red/White 33" (± 1")
- Yellow 43" (± 1")

Warranty:

Universal Lighting Technologies warrants to the purchaser that each electronic ballast will be free from defects in material or workmanship for a period of 3 years from date of manufacture when properly installed and under normal conditions of use. Call **1-800-BALLASTx800** for technical assistance.

Manufactured in North America



THREE LAMP APPLICATION

Note: For two lamp operation, individually cap unused blue leads, insulate to 600 volts

Ballast Must be Grounded

B340R277HP

APPLICATION and PERFORMANCE SPECIFICATION

Description: High frequency electronic ballast for 3 F40T12 lamps (and others as indicated below)

- Line Voltage: 277vac, ±10%, 60Hz
- Parallel Lamp Operation
- Rapid Start
- Active Power Factor Correction

Lamps		Input Watts	Nominal Line Amps	Power Factor	Ballast Factor	Ballast Efficacy Factor	Harmonic Total	Crest Factor
Type	#							
F40T12	3	113	0.41	> .99	.88	.78	< 10%	< 1.7
F40T12	2	84	0.31	> .98	1.04	1.24	< 10%	< 1.7
F40T12ES	3	93	0.34	> .99	.86	.92	< 10%	< 1.7
F40T10	3	116	0.43	> .98	.90	.78	< 10%	< 1.7
F30T12	3	90	0.33	> .98	.91	1.01	< 10%	< 1.7
F30T12ES	3	76	0.28	> .98	.88	1.16	< 10%	< 1.7
*FT39W/2G11	3	106	0.39	> .99	.90	0.85	< 10%	< 1.7

Application and Performance Specification Information Subject to Change without Notification.

* End of lamp life recommended for this application per ANSI C78.901-2001, Part I, Sec. 13.8

Performance:

- Meets ANSI Standard C82.11-1993
- Meets ANSI Standard C62.41-1991
- Meets FCC Part 18 (Class A) for EMI and RFI
Non-Consumer Limits

Safety:

- No PCB's
- UL listed (Class P, Type 1 Outdoor)
- CSA Certified

Application:

- Minimum Starting Temperature:
Standard Lamps: 50° F, 10° C
Energy Saving Lamps: 60° F, 16° C
- Sound Rated: A
- Remote Mounting: 12 ft. max. lead length, 18 AWG

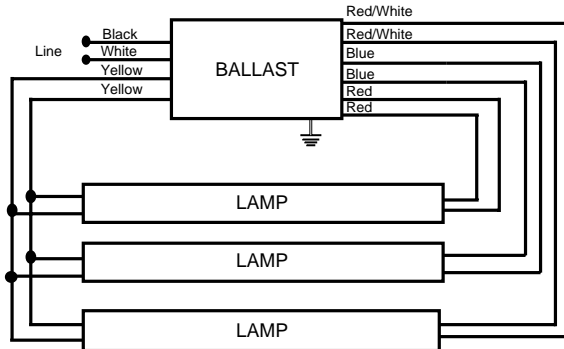
Physical Parameters

- Length: 9.50"
- Width: 2.40"
- Height: 1.55"
- Weight: 2.70 lbs.
- Lead Length: White, Black 25" (± 1")
- Red, Blue, Red/White 33" (± 1")
- Yellow 43" (± 1")

Warranty:

Universal Lighting Technologies warrants to the purchaser that each electronic ballast will be free from defects in material or workmanship for a period of 3 years from date of manufacture when properly installed and under normal conditions of use. Call **1-800-BALLASTx800** for technical assistance.

Manufactured in North America



THREE LAMP APPLICATION

Note: For two lamp operation, individually cap unused blue leads, insulate to 600 volts

Ballast Must be Grounded