

SC6-CM &-WM

Cord & Wall Mount Housing

Rev. Date: V6 10/11/2022

Product Description

Both the SC6-CM and SC6-WM cylindrical housings are rated for use with luminaires that consume low energy, such as the LR6 and CR6, optimizing energy density calculations for easier energy code compliance and LEED certification. They also feature a subtle, unobtrusive design that integrates cleanly into the interior space

SC6-CM

The SC6-CM cylindrical cord mount housing is designed to accommodate all Cree Lighting 277V and GU24-based six-inch downlights in a variety of architectural applications. It supports a maximum suspension distance of 7 ft. to the top of the fixture and may be field modified for shorter distance.

SC6-WM

The SC6-WM cylindrical wall mount housing is designed to accommodate all Cree Lighting 277V and GU24-based six-inch downlights in a variety of architectural applications.

Product Specifications

CONSTRUCTION & MATERIALS

- Rugged spun aluminum housing with textured polyester powder paint accommodates Cree Lighting GU24 and 277V six-inch led downlights
- Housing attaches directly to standard 4" electrical junction boxes

REGULATORY & VOLUNTARY QUALIFICATIONS

- cETLus Listed
- Suitable for damp locations

Limited Warranty: 1 year on accessories

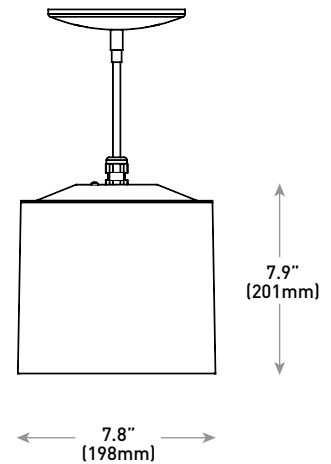
See <https://www.creelighting.com/warranty> for warranty terms

Ordering Information

Example: SC6-CM-GU24

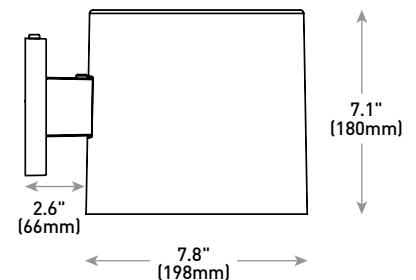
Product	
Cord Mount Housings	Wall Mount Housings
<p>Edison [E26] Socket Housings, 120V SC6-CM - Textured white finish - Includes 5" [127mm] canopy and 7' [2.1m] white cord - Compatible Downlights: LR6™ Series Downlights w/E26 Base, CR6™ Series Downlights w/E26 Base, LR6X™ Series Downlights, and CR6T™ Series Downlights</p> <p>GU24 Socket Housings, 120V SC6-CM-GU24 - Textured white finish - Includes 5" [127mm] canopy and 7' [2.1m] white cord - Compatible Downlights: LR6™ Series Downlights w/GU24 Base, CR6™ Series Downlights w/GU24 Base, LR6X™ Series Downlights, and CR6T™ Series Downlights</p> <p>SC6-CM-BL-GU24 - Textured black finish - Includes 5" [127mm] canopy and 7' [2.1m] black cord - Compatible Downlights: LR6™ Series Downlights w/GU24 Base, CR6™ Series Downlights w/GU24 Base, LR6X™ Series Downlights, and CR6T™ Series Downlights</p> <p>277V Connector Housings, 277V SC6-CM-277V - Textured white finish Includes 5" [127mm] canopy and 7' [2.1m] white cord - Compatible Downlights: LR6™ Series Downlights w/277V Connector, LR6X™ Series Downlights, and CR6T™ Series Downlights w/127V Voltage</p> <p>SC6-CM-BL-277V - Textured black finish - Includes 5" [127mm] canopy and 7' [2.1m] black cord - Compatible Downlights: LR6™ Series Downlights w/277V Connector, LR6X™ Series Downlights, and CR6T™ Series Downlights w/127V Voltage</p>	<p>GU24 Socket Housings, 120V SC6-WM-GU24 - Textured white finish - Compatible Downlights: LR6™ Series Downlights w/GU24 Base, CR6™ Series Downlights w/GU24 Base, LR6X™ Series Downlights, and CR6T™ Series Downlights</p> <p>SC6-WM-BL-GU24 - Textured black finish - Compatible Downlights: LR6™ Series Downlights w/GU24 Base, CR6™ Series Downlights w/GU24 Base, LR6X™ Series Downlights, and CR6T™ Series Downlights</p>

SC6-CM



NOTE: Maximum suspension distance is 7 ft to the top of the fixture. Cord may be field modified for shorter suspension distance.

SC6-WM



CA RESIDENTS WARNING: Cancer and Reproductive Harm – www.p65warnings.ca.gov



Intertek

© 2022 Cree Lighting, A company of IDEAL INDUSTRIES. All rights reserved. For informational purposes only. Content is subject to change. Patent www.creelighting.com/patents. CR6™, CR6T™, LR6™, and LR6X™ are trademarks of Cree Lighting, A company of IDEAL INDUSTRIES. Cree® and the Cree Lighting logo are registered trademarks of Cree, Inc.

US: creelighting.com (800) 236-6800

Canada: creelighting-canada.com (800) 473-1234

CREE  **LIGHTING**

A COMPANY OF IDEAL INDUSTRIES, INC.