



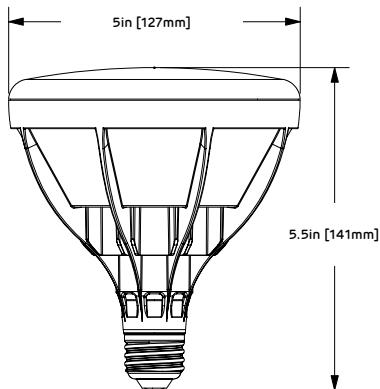
# BR40

## Benefits

- 14 watts – Requires 84% less power than comparable incandescent lamps.
- Maintenance free operation, lasts up to 16 times longer than conventional lighting.
- Optical design achieves smooth beam pattern to achieve a warm room filling glow for general illumination applications.
- Thermal advancements provide over 65% in weight reductions compared to previous model.
- Dimmable to 10% on most dimmers
- RoHS compliant – contains no mercury or lead.

### FEATURES<sup>1</sup>

Equivalent Source Standard	90W Incandescent BR
Rated Life	25,000 hours
Housing	Aluminum
Socket	E26
Operating Temperature	-20°C to +40°C
E26 MOL	5.5 in, 139.7mm
Voltage	120VAC
Weight	7.05 oz, 200g
Power Factor	≥.94
Warranty	5 year limited



Specifications supplied are nominal. Please refer to the DOE's Lighting Facts Tolerance Guidelines.  
<sup>1</sup> Values are nominal, advances from further innovation, specifications are subject to change.

### ORDERING INFORMATION \ \ LS BR40 90WE W27 120 CB BX

Family	Product	Watt Equivalent	Color (CCT)	Voltage	Family	Packaging
LS Lighting Science	BR40 BR40	90WE 90W Equivalent	W27 Warm White 2700K	120 120 Volt	CB	BX Box
			CW Cool White 5000K			

#### NORTH AMERICAN CERTIFICATIONS



#### ENVIRONMENT



# BR40

## DIMMER CAPABILITIES<sup>1</sup>

Lutron

Maestro: MACL-153M

Maestro Wireless: MRF2-6ND

Homeworks QS: HQRD-6ND, HQRD-10ND

Maestro Sensor: MSCL-OP153M, MSCL-VP153M

## BR40

Part Number	Base Type	Wattage	Lumens	Voltage	Efficacy	CRI
LS BR40 90WE W27 120 CB BX	E26	14	1000	120	71	80
LS BR40 90WE CW 120 CB BX	E26	14	1050	120	75	80

NFL: Narrow Flood FL: Flood NW: Neutral White WW: Warm White W27: Soft White 2700K CW: Cool White  
CBCP: Center Beam Candle Power

### Recommended number of lamps per 600 watt dimmer<sup>2</sup>

While an LED lamp may draw as few as 10 watts continuously, it could have an in-rush current spike (maximum, instantaneous input) which may limit the number of lamps you can install on one dimmer. The following table provides a recommended maximum quantity of LS lamps that should be used on a typical approved 600W dimmer.

Ex: Max number of A19 60W lamps, with an 80W in-rush, that can be used on 600W dimmer = 7

LS LED Lamp	Lamp In-Rush Current Equivalent	Max # of Lamps per 600W Dimmer
LS BR40 90WE	34W	17

Specifications supplied are nominal. Please refer to the DOE's Lighting Facts Tolerance Guidelines.

<sup>1</sup> Dimmer compatibility list indicates those dimmers that have been tested and operate properly under normal conditions. In certain cases, approved dimmers are offered in higher wattage varieties that are also compliant and allow the installation of additional lamps if kept within the maximum inrush current equivalent provided in the table. Each application is unique and various factors such as load, common neutrals or other electrical products on the circuit can, in certain instances, cause variance in system performance. Consult dimming system manufacturer for additional support in operation.

<sup>2</sup> Values are nominal, advances from further innovation, specifications are subject to change.



Visit [www.lsgc.com/energystar](http://www.lsgc.com/energystar) for list of ENERGY STAR qualified lamps.



### CAUTIONS

THIS DEVICE IS NOT INTENDED FOR USE WITH EMERGENCY EXITS. CAUTION: RISK OF SHOCK – DO NOT USE WHERE DIRECTLY EXPOSED TO WATER, TURN OFF POWER BEFORE INSPECTION, INSTALLATION, OR REMOVAL. DO NOT OPEN – NO USER SERVICEABLE PARTS INSIDE. Not for use in totally enclosed fixtures. Suitable for damp locations. Use only on 120 volt, 60 Hz circuits. This device complies with part 15 of the FCC rules and has been tested and found to comply with the limits for a class B digital device. This Class B digital apparatus complies with Canadian ICES-003. These limits are designed to provide reasonable protection against harmful interference in a residential installation. This equipment generates, uses and can radiate radio frequency energy and, if not installed and used in accordance with the instructions, may cause harmful interference to radio communications. Any changes or modifications not expressly approved by the manufacturer could void the user's authority to operate the equipment. Has been evaluated for portable lamps, surface mount wall and ceiling luminaires. For use with light dimmers. Compatible with most dimmer switches. For complete details on our warranty and dimmer compatibility please visit [www.lsgc.com/warranties](http://www.lsgc.com/warranties) and [www.lsgc.com/dimmer](http://www.lsgc.com/dimmer).