

ECO-T LED RECESSED TROFFER USER MANUAL



INSTALLATION GUIDE FOR:

2X2:

MLRT22D4535
MLRT22D4541
MLRT22D4550

2X4:

MLRT24D5535
MLRT24D5541
MLRT24D5550

Thank you for purchasing this MaxLite product.
For additional information or assistance
please e-mail info@maxlite.com
or visit www.maxlite.com.

TABLE OF CONTENTS

DESCRIPTION.....	1
CAPABILITIES.....	1
TECHNICAL SPECIFICATIONS.....	2
FEATURES.....	3-4
MOUNTING PANELS IN CEILING.....	5
SET-UP INDEX.....	6
CONNECTING TO AC POWER SOURCE.....	7-8
SET-UP FOR 0-10V BALLAST DIMMER Building Controls / Daylight Harvesting.....	9
SET-UP FOR 0-10V WALL DIMMING.....	10
SET-UP FOR LINKING PANELS.....	11

DESCRIPTION

Models: Available in 2'x2' and 2'x4'

Construction: ECO-T is a high performance LED recess troffer designed for installation in drop ceilings; typically used to replace standard 2'x2' and 2'x4' fluorescent fixtures. The profile is slim, only 3.3 inches deep including the junction box, making it ideal for low depth ceiling cavities. The housing provides maximum heat sink and thermal control. The lens is a clear prismatic lens that comes standard.

CAPABILITIES

On/Off: Panels can operate independently, or can be daisy chained together to work with standard on/off wall switches.

Dimming: Panels are fully dimmable with a standard 0-10V wall dimmer, and Building Controls.

Building Controls: With the addition of controls, the panels can be automated and customized to room use.

Daylight Harvesting: Additional sensors (such as Lutron® Graphic Eye) added to building controls enable users to further reduce energy consumption by taking advantage of natural light entering the room.

Linking: Up to 20 panels can be linked from the master panel.

Maximum mounting distance between any two panels is 60' of linking wire

Wire size for linking is 18/20 AWG

2' x 2'

Life: 50,000 hour life based on L70 standards

Self-Driven: No additional drivers required

Power: Connect directly to AC power supply 120V through 277V

Contains No Hazardous Material: Mercury and UV Free

Of LEDs: 132

Wattage: 45W Nominal

Lumens: 3597, 3421, 3768

CRI: 85

Color Temperature: 3500K, 4100K and 5000K

Weight: 9 lbs.

Certification: ETL, UL

IC Rated, Maximum operating ambient temperature is 120°F

2' x 4'

Life: 50,000 hour life based on L70 standards

Self-Driven: No additional drivers required

Power: Connect directly to AC power supply 120V through 277V

Contains No Hazardous Material: Mercury and UV Free

Of LEDs: 176

Wattage: 55W Nominal

Lumens: 4569, 4498, 4903

CRI: 85

Color Temperature: 3500K, 4100K and 5000K

Weight: 14.5 lbs.

Certification: ETL,UL

IC Rated, Maximum operating ambient temperature is 120°F

Available Options

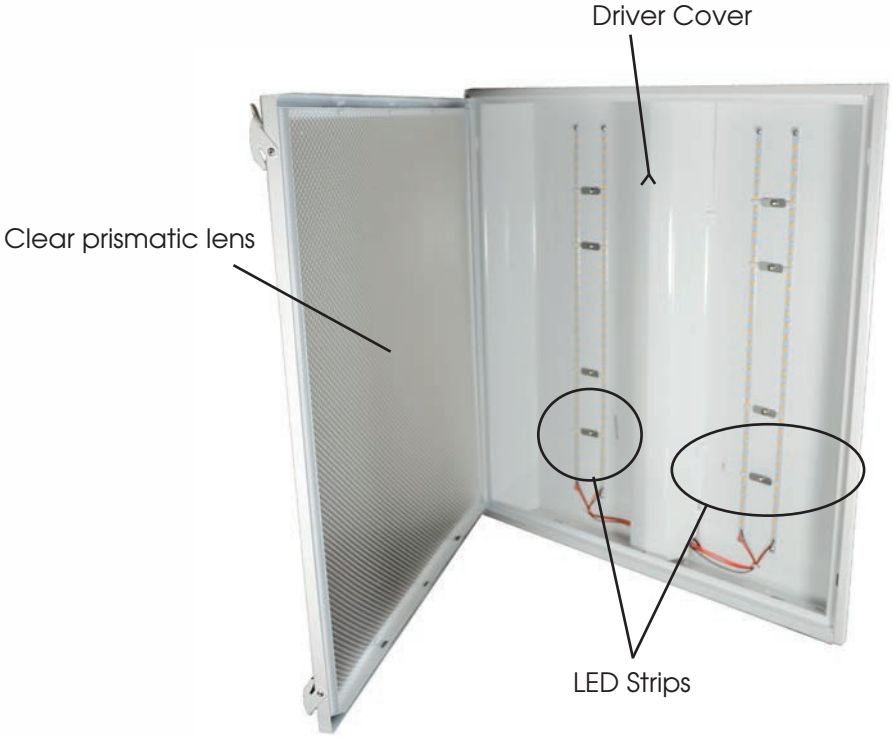
MLSMKRT22D: 2'x2' ECO-T Surface mount kit

MLSMKRT24D: 2'x4' ECO-T Surface mount kit

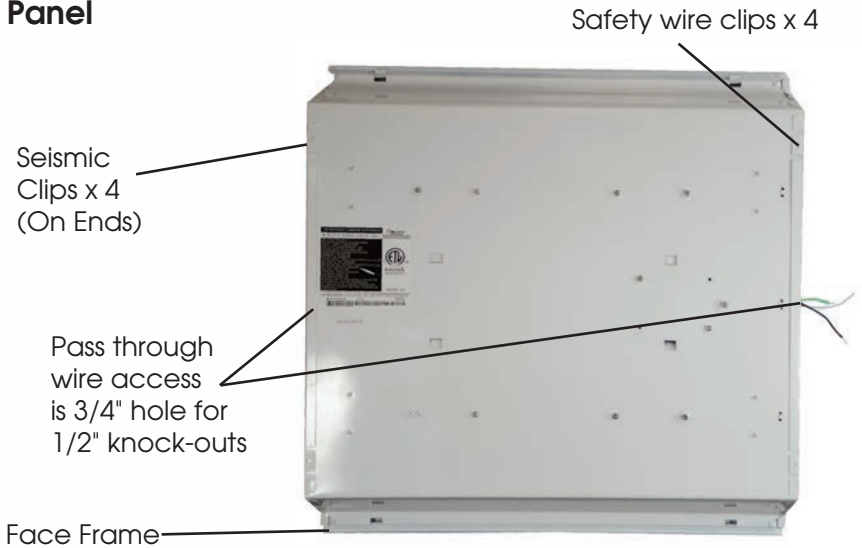
RT22TWD: 2'x2' ECO-T Translucent white diffuser

RT24TWD: 2'x4' ECO-T Translucent white diffuser

ECO-T Lens Open (Inside)



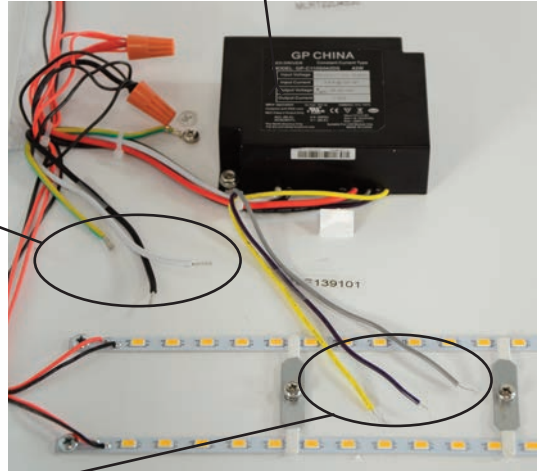
Back Panel



Driver Cover Removed (Inside)

Driver

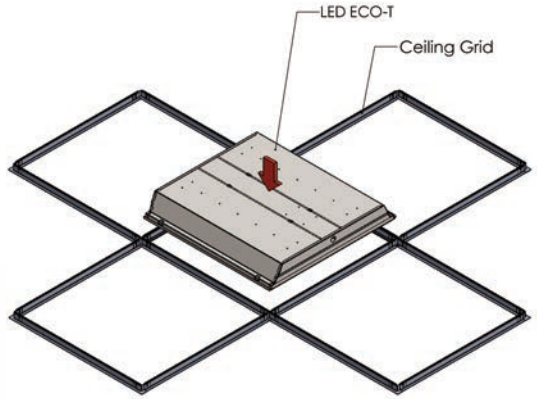
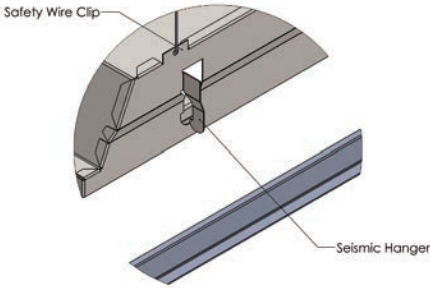
AC connection Leads
 White - Neutral
 Black - Line
 Green - Ground



Optional Dimming Leads
 yellow, violet and grey

Yellow - outside device +12V
 Violet - + Positive
 Grey - Common

Ceiling T-Bar Grid:

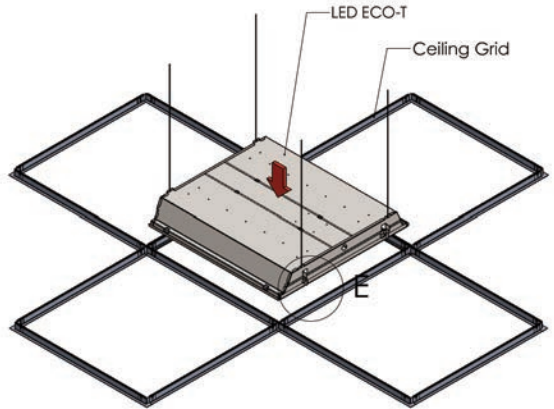
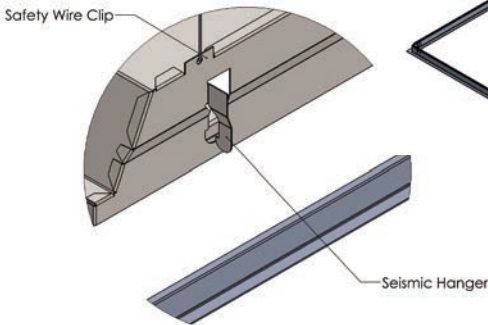


1) MaxLite's LED ECO-T is designed to lay into a gridded ceiling. Simply start on one side and gently lay down the panel.

2) Open seismic hanger on each end (4 places) 180° to engage ceiling grid frame.

* Model shown for reference only

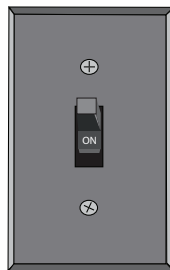
Safety Wire Clips:



Safety wire clip on the back of the panel bend up easily to accept wire from the ceiling structure. Thread wire through the tab and finish off as for any other suspended or grid fixture.

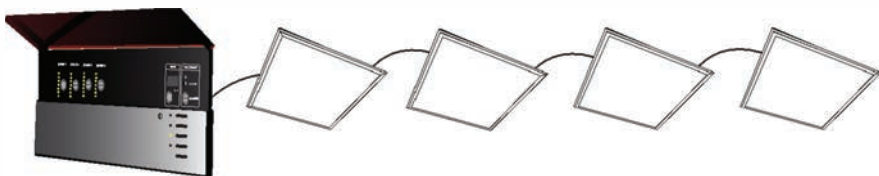
* Note: Uniform support is vital; for safety purposes, each panel must have support wire attached.

1. Connecting to AC Power Source

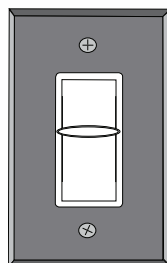


2. Set up 0-10V Ballast Dimmer or Building Controls

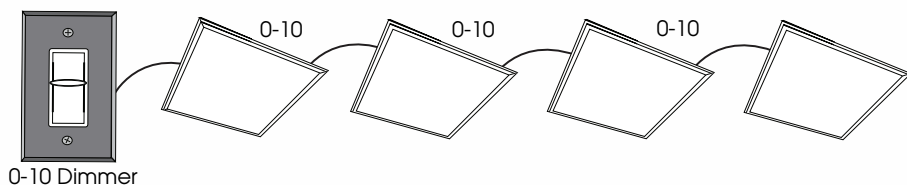
Maximum mounting distance between any two panels is 60' of linking wire



3. Set up for 0-10V Wall Dimming



4. Set up for Linking Panels: Link up to 20 panels from master using 0-10 Wires. Maximum mounting distance between any two panels is 60' of linking wire



CAUTION: Please be sure to turn off power to electrical circuit at the master panel before making any electrical connection.

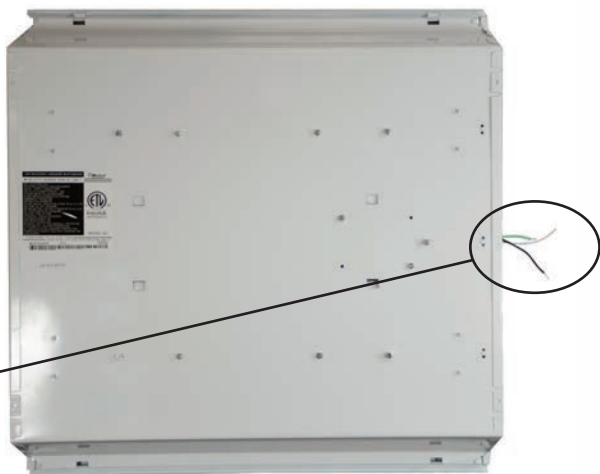
Connecting panels to AC source supply:

All units must be individually connected to the AC supply.

(120-277 VAC)

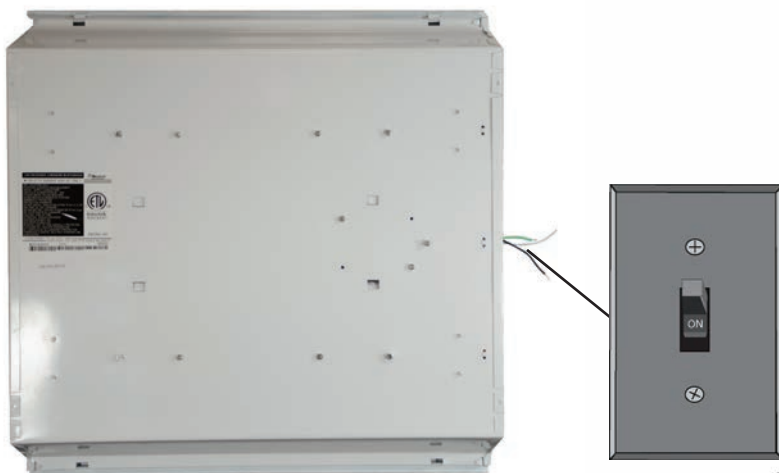
Black = Line
White = Neutral
Green = Ground

AC connection

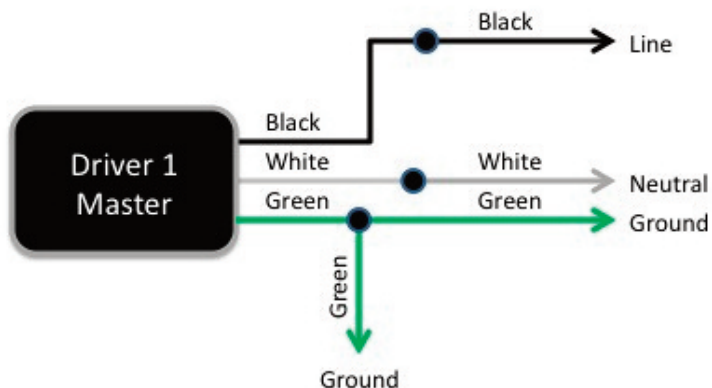
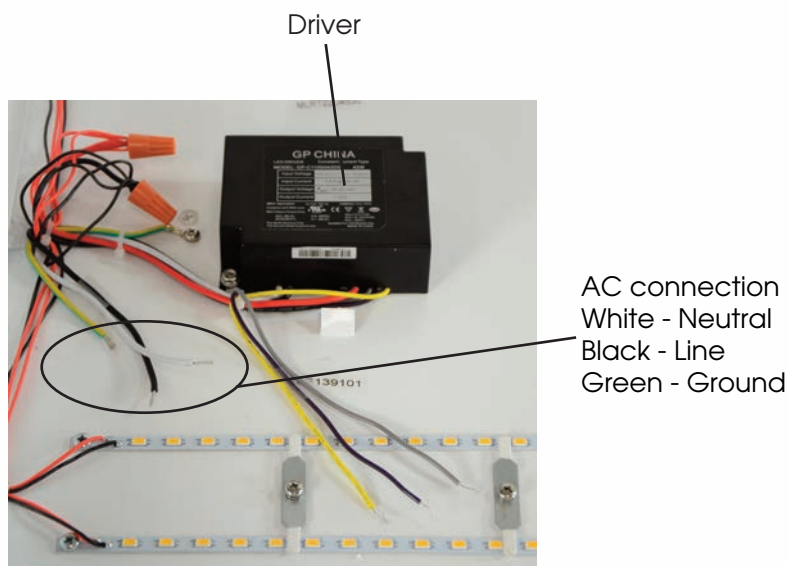


ON/OFF operation:

Line connection to be made to switched lead from source



AC Power Connection

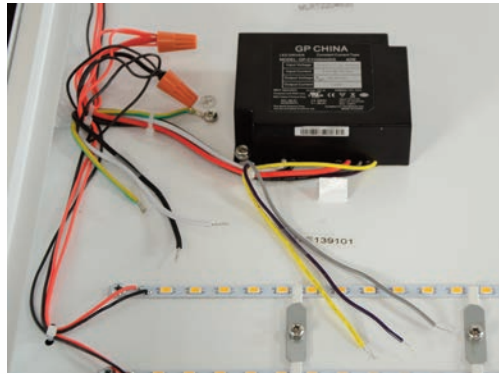


CAUTION: Please be sure to turn off power to electrical circuit at the master panel before making any electrical connection.

2. SET UP 0-10V BALLAST DIMMER OR BUILDING CONTROLS

1. Follow Connecting Power procedures (see page 7).

2. Locate the violet, grey leads

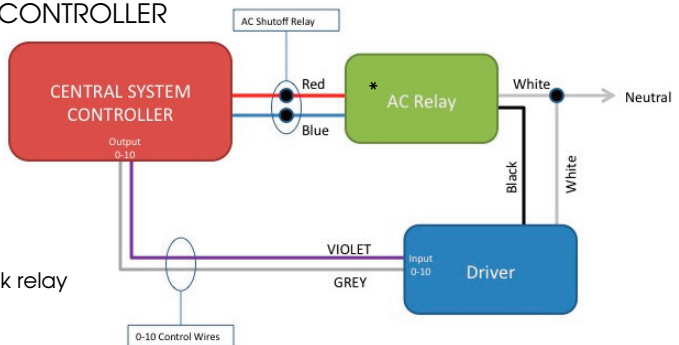


3. 0-10 connection as shown
CENTRAL SYSTEM CONTROLLER

Wire to red/blue leads (As Shown)

Wire to violet/grey leads (As Shown)

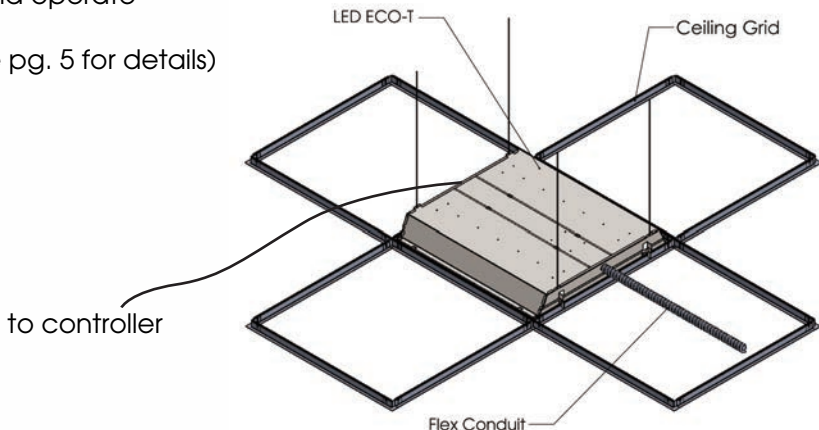
*Lutron PP-20 power pack relay or equal by others



CAUTION: Please be sure to turn off power to electrical circuit at the master panel before making any electrical connection.

4. Mount panel, feed line through knockouts, and operate

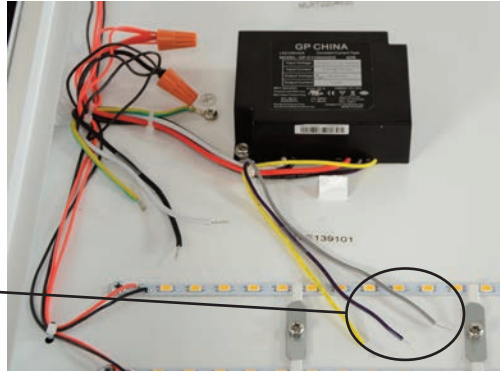
(See pg. 5 for details)



3. SET UP FOR 0-10V WALL DIMMING

1. Follow Connecting Power procedures (see page 8).

2. Locate the violet and grey leads



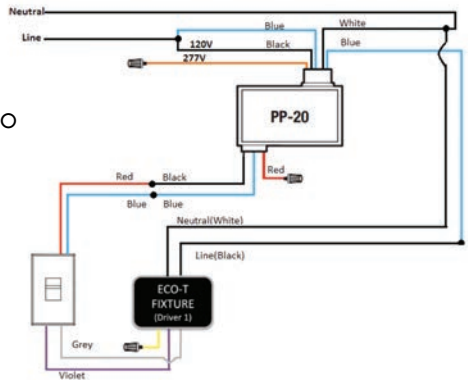
3. Connect wall dimmer (non-relay wires) violet, grey to driver violet and grey.

Connect red and blue from dimmer to red and blue on relay as shown with wire nuts on power pack PP-20

*Lutron PP-20 power pack relay or equal by others

*For Leviton IP710 no added power pack relay is needed

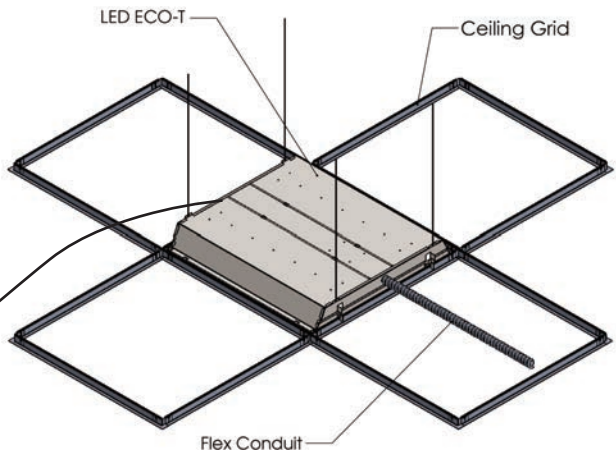
CAUTION: Please be sure to turn off power to electrical circuit at the master panel before making any electrical connection.



4. Mount panel, feed line through knockouts, and operate

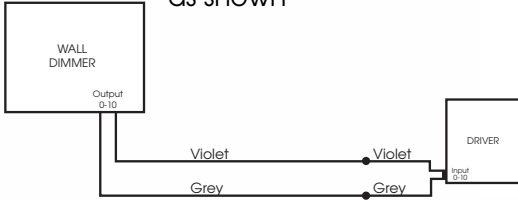
(See pg. 5 for details)

to wall dimmer



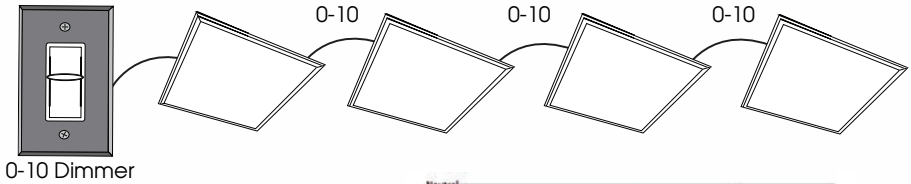
1. Select one of the panels to be Master Panel.

Master panel will have 0-10 connection as shown

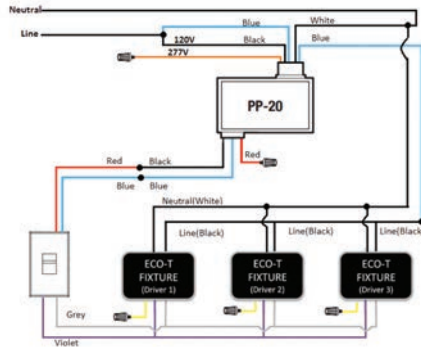


2. Link fixtures by connecting violet to violet and grey to grey wires.

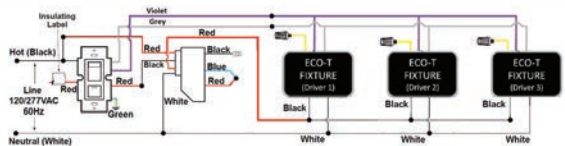
3. Continue this for each additional panel (up to 20 panels)
Maximum mounting distance between any two panels is 60' of linking wire



*Lutron PP-20 power pack relay or equal by others



*Leviton control will require power pack relay for more than 1 panel operation



CAUTION: Please be sure to turn off power to electrical circuit at the master panel before making any electrical connection.



For additional information or assistance
please e-mail info@maxlite.com
or visit www.maxlite.com.

